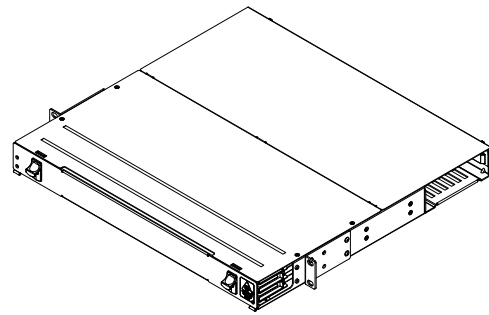
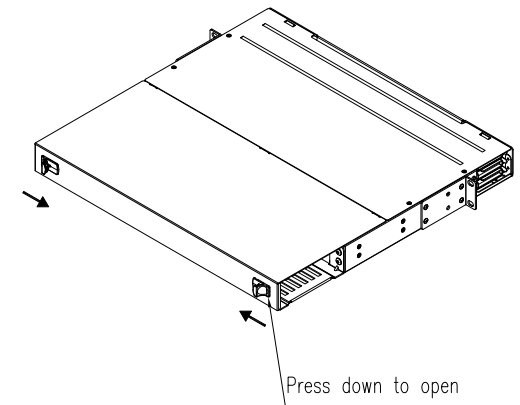
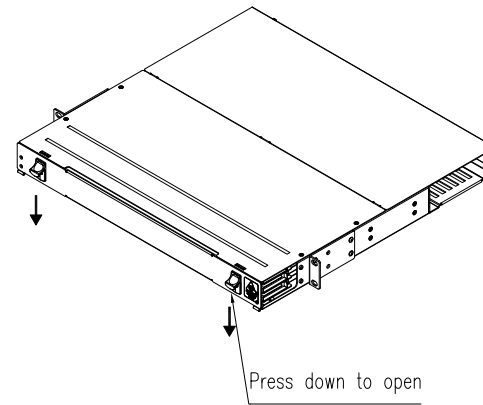


Model	Rack Mount Patch Panel	Name	HD 12 and 24f cassette panel	Document NO.	IM-D84300-ENG	Version	REV.01
-------	------------------------	------	------------------------------	--------------	---------------	---------	--------

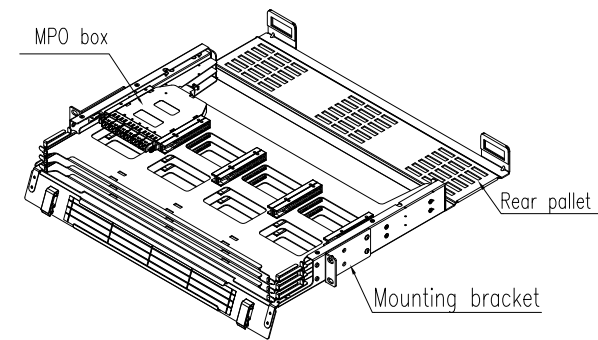
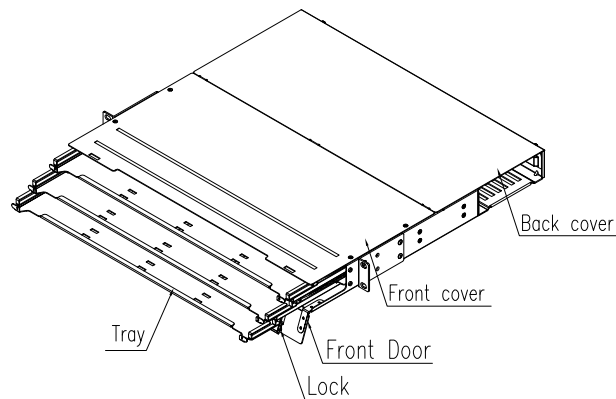
① Product general drawing



② ON-OFF mode



③ Product structure



Drawn By:HF. Guo

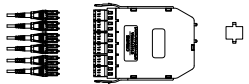
Checked By:M.C.Wu

Approved By: W. Liu

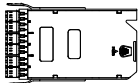
Model	Rack Mount Patch Panel	Name	SP12M1-YIF1	Document NO.	IM-D84300-ENG	Version	REV.01
-------	------------------------	------	-------------	--------------	---------------	---------	--------

## 4 MPO box installation

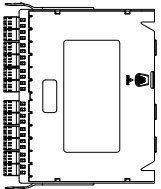
1 12c MPO Cassette



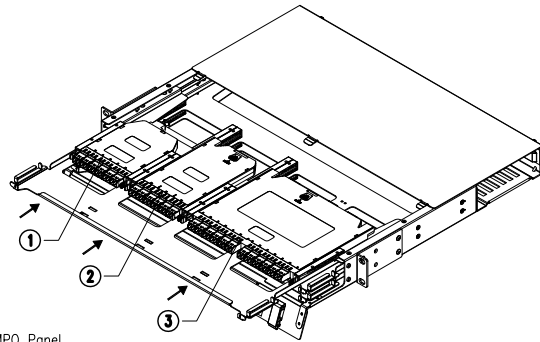
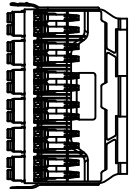
2 12c Splice Cassette



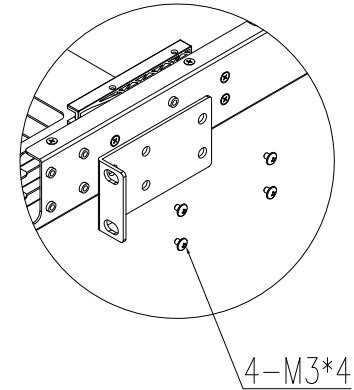
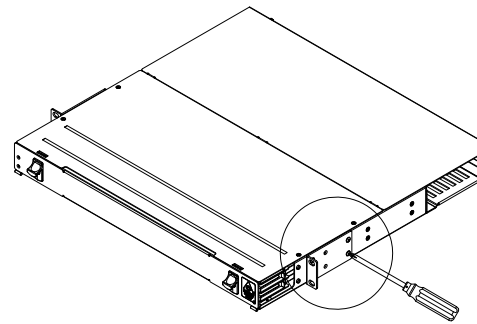
3 24c Cassette



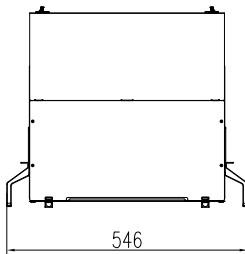
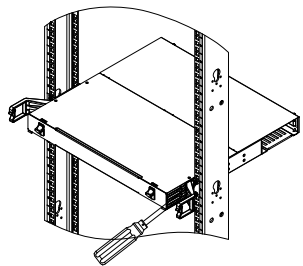
4 12c MPO Panel



## 5 Mounting bracket installation



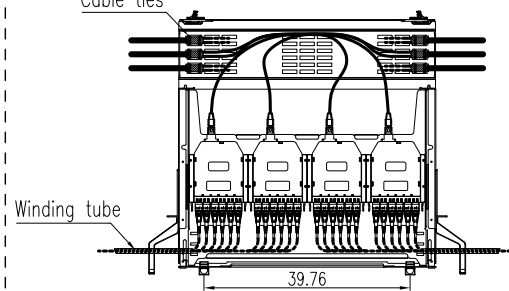
## 6 Install 19inch rack or cabinet



⚠ For installation of wire loop, 560mm space should be guaranteed.

## 7 Cabling

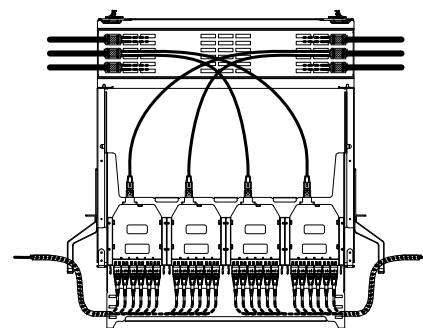
Line drawing when drawer is pushed in



— MPO trunk jumper, branch length 65cm~85cm

----- Patch cord

Line drawing when drawer is pulled out



## 8 Parts

3.6\*150 Cable ties X12

ø4\*100 Winding tube X6

10\*100 Magic stick strip X12

Drawn By

Checked By:

Approved By: