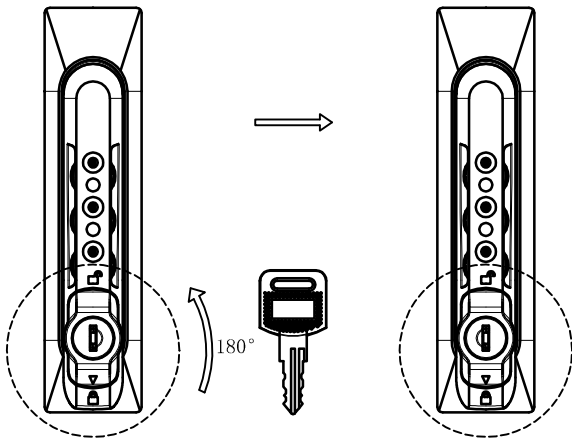
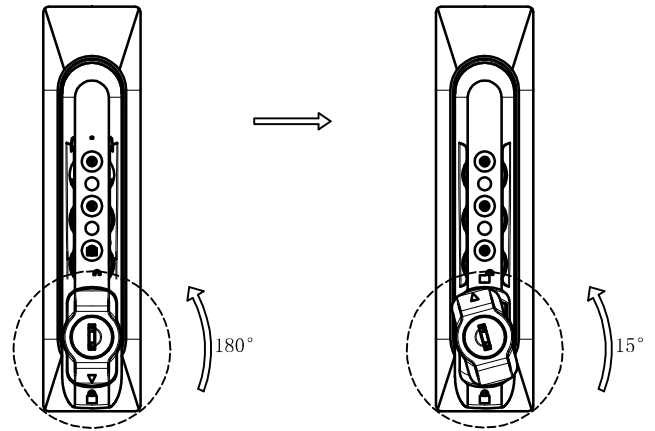


excel Excel Combination Lock Operating Instructions





The handle can be opened with the key if required.

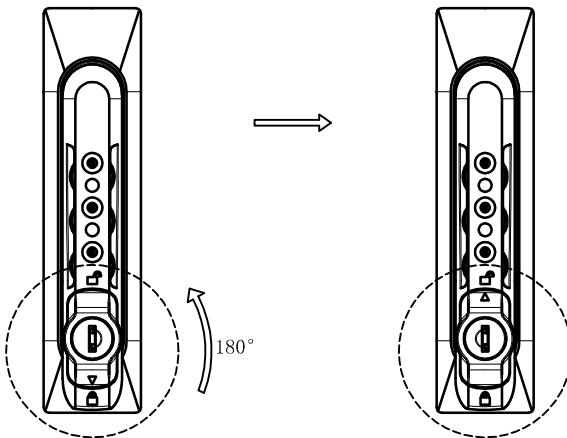
①





Setting combination code:

- * Enter current code (factory setting is 000).
- * Rotate knob anti-clockwise to line up arrow with .
- * Rotate knob a further 15° anti-clockwise.
- * Set new combination.
- * Return knob to locked padlock symbol  and move dials.

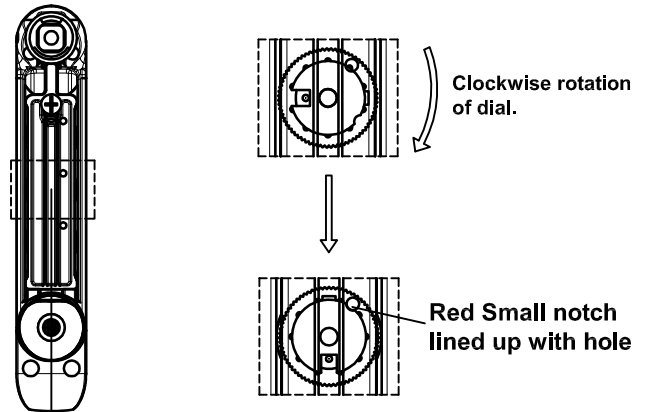
②



Normal operation - to open:

- *Set dials to combination (the factory setting is 000).
- *Rotate knob anti-clockwise to line up arrow with , lift handle.
- *To lock, rotate knob to  and change dials.

③



Resetting lost code:

- *Open handle with key.
- *Rotate dials until red small notch (do not confuse with gap) is in line with each hole in the back of handle (handle may have to be removed to see the back of the handle).
- *The handle is now set with the combination
- * See 2 to reset.

④



Note:

1. The key will open the lock whether new combination is set or not.
2. Remove key before setting combination.