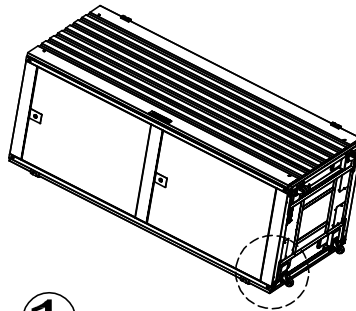
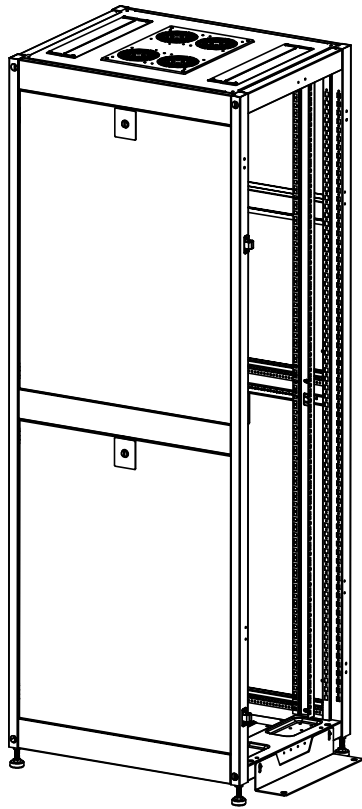
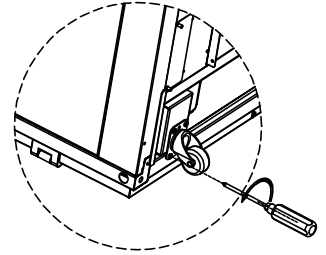


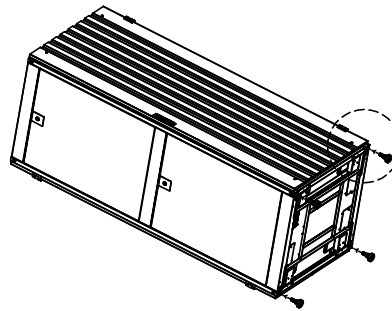
excel Environ SR Series Anti Tilt Plate Assembly Instructions



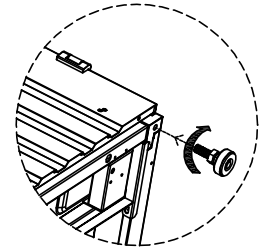
1



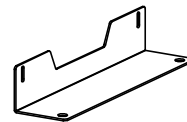
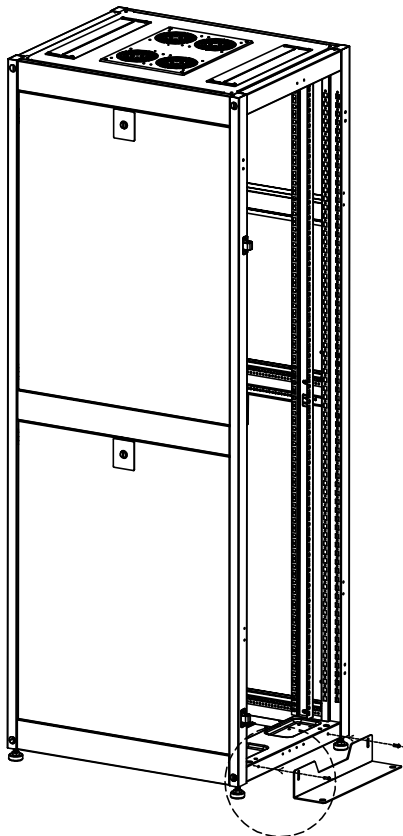
Remove castor if connected.



2

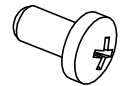


Attach jacking feet to each corner.



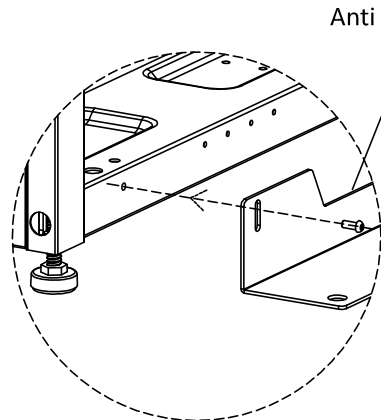
Anti tilt Fixing Kit

1X



M6X12
Screws

2X



Anti tilt Fixing Kit

3

