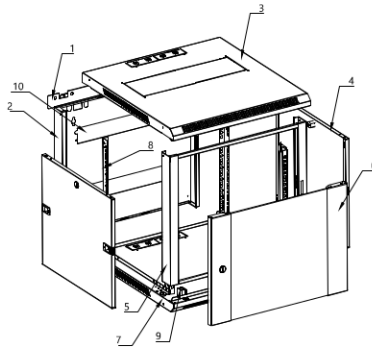


WALL BOX ASSEMBLY INSTRUCTIONS



Packing list

- 1---Hanging board --- 1 pc
- 2---Backboard ---1 pc
- 3---Top panel --- 1 pc
- 4--- Side panel --- 2 pc
- 5--- Post Frame--- 1 pc
- 6---Front door --- 1 pc
- 7---Bottom panel --- 1 pc
- 8---19"mounting rails --- 4pc
- 9---Bottom frame support block --- 2 pc
- 10--cover board --- 2 pc

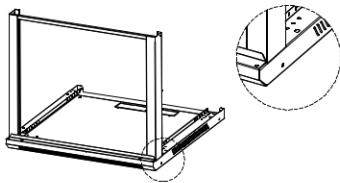
Item list of accessories package

A: 3 Sets of locks with key

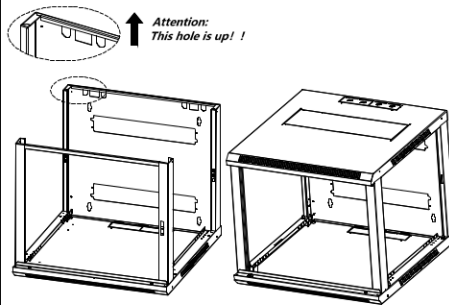
B: M5X10 self-tapping screws---32 pcs

C:M6X12 screws&square nuts---12U& less than12U,10SET;More than12U, 20SET

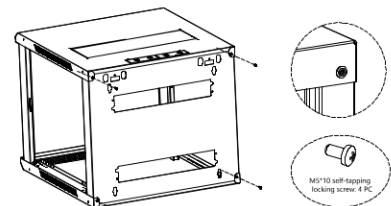
Tip: Check the quantities of the items after open package, ensure the quantities is right to improve the assembly efficiency.



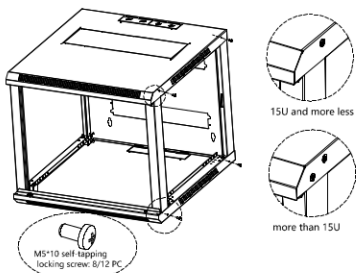
[1] put the post frame into the bottom panel



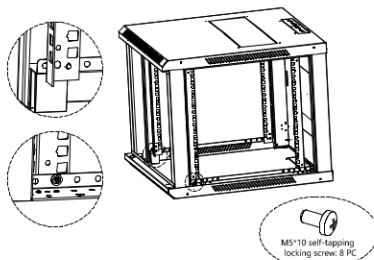
[2] put the back board into the bottom. notice the side with hanging board hole is up, than put the top panel



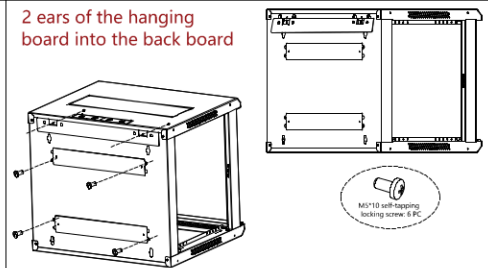
[3] Use M5*10 self-tapping locking screw to fixed the back side of back board with top and bottom panel,each corner 1pcs screw



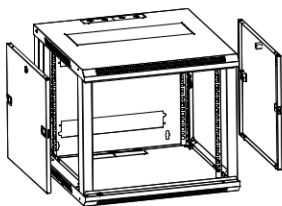
[4] Use M5*10 self-tapping locking screw to fix the cabinet side.**notice:more than 15U the front side have 2pcs screws**



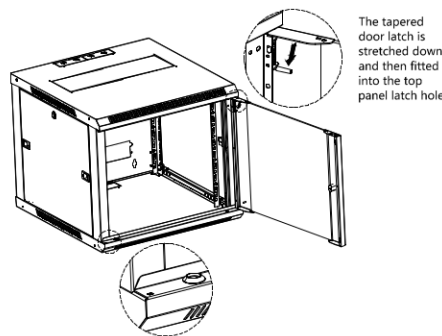
[5] use the M5*10 self-tapping lock screw to install the rails, the screw from outside to inside



[6] Use the M5*10 self-tapping locking screw to install the hanging board and cove with back panel.
for hanging board the screw from inside to outside
for cover board the screw from outside to inside



[7] Install the side panel



[8] Install the front door.

Assembly Instructions apply to all new design Wall Boxes from 2025 onwards with optional feet threads in the base.