

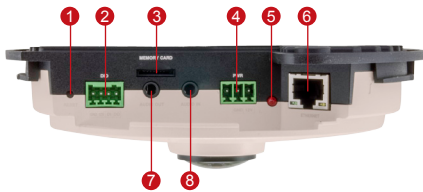
B76

12MP Video Analytics Outdoor Hemispheric Dome with D/N, Adaptive IR, Extreme WDR, SLLS, Fixed Lens



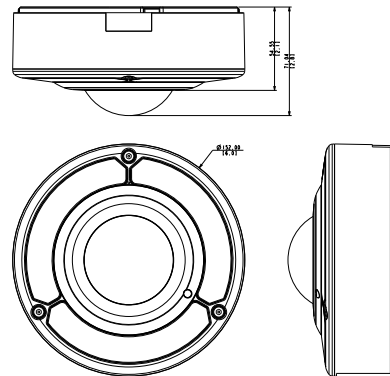
- 12 Megapixel with 4K/1080p
- Day & Night with Superior Low Light Sensitivity and Adaptive IR LED
- Fisheye Lens with f1.3mm / F2.6
- Extreme WDR (130 dB)
- 30 fps at 2048 x 2048
- 180/360° Panorama View with Dewarped Streaming
- Weatherproof (IP68) and Vandal Proof Metal Casing (IK10)
- Built-in Analytics

PHOTO INDICATION



- | | |
|--------------------------|-----------------|
| 1 Reset button | 5 Power LED |
| 2 Digital Input / Output | 6 Ethernet Port |
| 3 Memory Card Slot | 7 Audio Output |
| 4 DC 12V Power Input | 8 Audio Input |

DIMENSION DIAGRAM



ACCESSORY OPTIONS

Unit: mm [inch]

| Power Supply | | |
|--------------|--|-------------------------------------------------------------------------------|
| PPOE-0001 | | IEEE 802.3af PoE Injector for Class 1, 2 or 3 devices, with universal adapter |
| PPBX-0002 | | AC 100-240V to DC 12V power adapter with universal connector |

| Popular Mounting Solutions | | |
|----------------------------|--------------------------|--|
| Surface | Accessories not required | |
| Wall | PMAX-0802 | |
| Pendant | PMAX-0101 PMAX-0102 | |
| Pole | PMAX-0503 PMAX-0330 | |
| Corner | PMAX-0402 PMAX-0314 | |
| Gang Box | PMAX-0804 | |

* For more mounting solutions, please refer to Project Planner on www.acti.com

PRODUCT SPECIFICATION**B76****• Device**

| | |
|--------------------------|-----------------------------------------------------------------|
| Device Type | Outdoor Hemispheric Dome |
| Image Sensor | Progressive Scan CMOS |
| Sensor Size | 1/1.7" |
| Effective Pixels | 4072 (H) x 3046 (V) (12.4 MP) |
| Horizontal Resolution | 2150 TVL |
| Day / Night | Yes |
| Low Light Sensitivity | Superior |
| Minimum Illumination | Color: 0.1 lux at F2.6 (30 IRE, 2400°K); B/W: 0 lux (IR LED on) |
| Color to B/W Switch | ISP based switch, configurable |
| Mechanical IR Cut Filter | Yes |
| IR Sensitivity Range | 700 - 1100 nm |
| IR LED | Adaptive IR LED x 18 (850 nm) |
| IR Working Distance | 20 m (0 lux, 30 IRE, Gain 255, Auto shutter mode) |
| Electronic Shutter | 1/5 ~ 1/2,000 sec (manual mode); 1/5 ~ 1/10,000 sec (auto mode) |
| S/N Ratio | 52 dB |

• Lens

| | |
|--------------------------|-----------------------------|
| Focal Length / Aperture | Fisheye lens, f1.3mm / F2.6 |
| Iris | Fixed iris |
| Focus | Fixed focus |
| Mount Type | Board mount |
| Horizontal Viewing Angle | 190° |
| Viewing Angle Adjustment | Rotate: -175°-175° |

• Video

| | |
|--------------------------------|----------------------------------------------------------------------------------------------------------------------------------------------------------------------------------------------------------------------------------------------------|
| Compression | H.264 (Baseline / Main / High profile), MJPEG |
| View Mode | Fisheye view; Dewarped view: 180° / 360° Panorama, ePTZ |
| Max. Frame Rate vs. Resolution | 18 fps at 4000 x 3000; 24 fps at 4096 x 2160; 24 fps at 3840 x 2160; 30 fps at 2048 x 2048; 30 fps at 1600 x 1200; 30 fps at 1920 x 1080; 30 fps at 1024 x 1024; 30 fps at 1280 x 960; 30 fps at 1280 x 720; 30 fps at 800 x 600; 30 fps 640 x 480 |
| Multi-Streaming | Simultaneous three streams based on video configurations |
| Bit Rate | 28 Kbps - 12 Mbps (per stream) |
| Bit Rate Mode | Constant, Variable |
| Privacy Mask | 32 configurable regions |
| Image Enhancement | Extreme WDR (130 dB); White balance: automatic, hold and manual; Brightness; Contrast; Sharpness (auto); Automatic gain control; 2D+3D digital noise reduction; Flickerless; Defogging |
| Text Overlay | User defined text on video |
| Image Orientation | Image flip and mirror |
| Built-in Analytics | Tamper; Shock Detection; Digital Auto Tracking; **Line Crossing; **Enter Area; **Missing Object; **Unattended Object; **Smoke Detection (*Some of the algorithms may not be available in the first release, can be upgraded for free later.) |

• Audio

| | |
|-------------|------------------------------------------|
| Compression | 8 kHz, Mono, PCM, 16 bit encoding; G.711 |
| Audio-In | Cable with 3.5mm phone jack |
| Audio-Out | Cable with 3.5mm phone jack |

• Network

| | |
|--------------------|----------------------------------------------------------------------------------------------------------------------------------------------------------|
| Protocol & Service | TCP, UDP, HTTP, HTTPS, DHCP, PPPoE, RTP, RTSP, IPv4, IPv6, DNS, DDNS, NTP, ICMP, ARP, IGMP, SMTP, FTP, UPnP, SNMP, Bonjour, Sony VISCA, Pelco D, Pelco P |
| Ethernet Port | 1, Ethernet (10/100 Base-T), RJ-45 connector |
| Security | IP address filtering; HTTPS encryption; Password protected user levels; IEEE 802.1X network access control; Anonymous Login |

• Alarm

| | |
|----------------|------------------------------------------------------------------------------------------------------------------------------------------------------------------------------------------------------------------------------------------------------------------------------------|
| Alarm Trigger | Video motion detection (10 regions); External device through digital input; Sound detection |
| Alarm Response | Notify control center; Go to ePTZ preset point or preset tour; Change camera settings; Command other devices; E-mail notification with snapshots; Save video or snapshot to local storage; Upload video or snapshot to FTP server; Activate external device through digital output |

• Interface

| | |
|----------------|----------------------------------------------------------|
| Digital Input | 2, Terminal block |
| Digital Output | 2, Terminal block |
| Local Storage | MicroSDHC/MicroSDXC memory card slot (card not included) |

• General

| | |
|----------------------------|-------------------------------------------------------------------------------------------------------------------------------------|
| Power Source / Consumption | PoE Class 3 IEEE802.3af / 8.2 W DC 12V (adapter not included) / 6.4 W |
| Weight | 936 g (2.059 lb) |
| Dimensions (Ø x H) | 152 mm x 71.04 mm (6.0" x 2.8") |
| Environmental Casing | Weatherproof (IP68); Vandal proof metal casing (IK10) |
| Mount Type | Surface, Wall, Pendant, Pole, Corner, Gang box |
| Starting Temperature | -40°C ~ 50°C (-40°F ~ 122°F) |
| Operating Temperature | -40°C ~ 50°C (-40°F ~ 122°F) |
| Operating Humidity | 10% ~ 85% RH |
| Approvals | CE (EN 55022 Class B, EN 55024), FCC (Part15 Subpart B Class B), IP68, IK10 (metal casing), NEMA 4X, UL (for bundled power adapter) |

• Integration

| | |
|-------------------------|-----------------------------------------------------------------------------------------------------------------------------------------------------------------|
| Unified Solution | Fully compatible with ACTI software |
| ISV Integration | Software Development Kit (SDK) available ; ONVIF compliant |
| GPS Position | Manual setting |
| Firmware Access Browser | Microsoft Internet Explorer 8.0 or newer (full functionality) Safari with QuickTime installed, and other browsers with VLC installed (partial functionality) |

* All specifications are subject to change without notice.

* All brand names and registered trademarks are the property of their respective owners.

www.acti.com