

B917

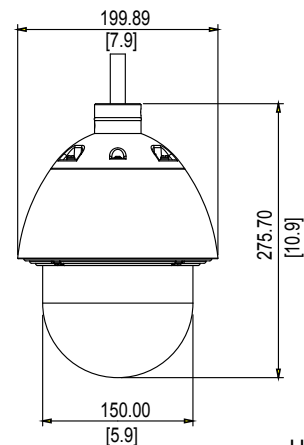
2MP Video Analytics Outdoor Speed Dome with D/N, Extreme WDR, SLLS, 30x Zoom Lens



- 2 Megapixel with 1080p
- Day & Night with Superior Low Light Sensitivity
- 30x Zoom Lens with f4.5-135mm / F1.6-F4.4, DC Iris, Auto Focus
- Extreme WDR (145 dB)
- 60 fps at 1920 x 1080
- Endless Pan & Tilt
- Weatherproof (IP67) and Vandal Proof Metal Casing (IK10) with Built-in Dehumidifier
- Built-in Analytics

PHOTO INDICATION

DIMENSION DIAGRAM



Unit: mm [inch]

ACCESSORY OPTIONS

| Dome Cover | | |
|-------------------|--|--|
| PDCX-1005 | | Transparent, Vandal proof (IK10) |
| PDCX-1108 | | Smoked, Vandal proof (IK10) |
| High PoE Injector | | |
| PPOE-0102 | | High PoE Injector with universal connector |

| Popular Mounting Solutions | | |
|----------------------------|-------------------------------------|--|
| Wall | PMAX-0312 PMAX-0702 | |
| Pendant | PMAX-0102 | |
| Corner | PMAX-0312 PMAX-0702 PMAX-0402 | |
| Pole | PMAX-0312 PMAX-0702 PMAX-0503 | |
| Parapet | PMAX-0808 | |

* For more mounting solutions, please refer to Project Planner on www.acti.com

PRODUCT SPECIFICATION**B917****• Device**

| | |
|--------------------------|--|
| Product Type | Outdoor Speed Dome |
| Image Sensor | Progressive Scan CMOS |
| Sensor Size | 1/2.8" |
| Effective Pixels | 1944 (H) x 1224 (V) (2.38 MP) |
| Horizontal Resolution | 1450 TVL |
| Day / Night | Yes |
| Low Light Sensitivity | Superior |
| Minimum Illumination | Color: 0.1 lux at F1.6 (30 IRE, 2400°K); B/W: 0.05 lux at F1.6 (IR LED On) |
| Color to B/W Switch | ISP based switch, configurable |
| Mechanical IR Cut Filter | Yes |
| IR Sensitivity Range | 700 - 1100nm |
| Electronic Shutter | 1/5 - 1/32,000 sec (manual mode); 1/5 - 1/32,000 sec (auto mode) |
| S/N Ratio | 56 dB |

• Lens

| | |
|--------------------------|---|
| Focal Length | Zoom, f4.5 - 135mm / F1.6 - 4.4 |
| Zoom Ratio / Speed | 30x optical, 10x digital / 2.4 sec (tele to wide) |
| Zoom Application | Camera installation; Auto zoom by event; Manual operation |
| Iris | DC iris |
| Focus | Auto focus |
| Horizontal Viewing Angle | 59.8° - 2.34° |

• PTZ

| | |
|--------------------------------|--|
| Manual Panning / Tilting Speed | 3.2°~72 °/s / 1.6°~36 °/s |
| Preset Panning / Tilting Speed | 0.1°~ 720°/s / 0.1°~ 360°/s |
| Panning Range | 360° Endless |
| Tilting Range | -20° ~ 200° |
| Control | Remote manual control; 256 preset points; 10 preset tours; Auto scan |
| Preset Panning Accuracy | 0.265° |
| Preset Tilting Accuracy | 0.149° |
| Absolute Position | Yes |
| Protocol | ACTi URL command, Sony VISCA, Pelco D, Pelco P |

• Video

| | |
|--------------------------------|---|
| Compression | H.264 (Baseline / Main / High profile), MJPEG |
| Max. Frame Rate vs. Resolution | 60 fps at 1920 x 1080; 60 fps at 1280 x 720; 30 fps at 640 x 480; 30 fps at 320 x 240 |
| Multi-Streaming | Unicast/Multicast (RTSP, UDP); Simultaneous triple streams based on video configurations |
| Bit Rate | 128 Kbps - 12 Mbps (per stream) |
| Bit Rate Mode | Constant, Variable |
| Image Enhancement | Extreme WDR (145 dB); White balance: automatic, hold and manual; Brightness; Contrast; Sharpness; Automatic gain control; 2D+3D digital noise reduction; Flickerless; Defogging |
| Privacy Mask | 20 configurable 3D regions |
| Text Overlay | User defined text on video |
| Image Orientation | Image flip and mirror |
| Built-in Analytics | Motion Detection, Tamper, Shock Detection, PTZ Auto Tracking, Digital Image Stabilizer, Line Crossing, Enter Area, Exit Area, Appear in Area, Missing Object, Unattended Object |

• Audio

| | |
|----------------------|--|
| Audio | 2-way (Line-in, Line-out) |
| Compression | 8 kHz, Mono, PCM, 16 bit encoding; G.711 |
| Audio-In / Audio-Out | Cable with 3.5mm phone jack |

• Network

| | |
|--------------------|--|
| Protocol & Service | TCP, UDP, HTTP, HTTPS, DHCP, PPPoE, RTP, RTSP, IPv4, IPv6, DNS, DDNS, NTP, ICMP, ARP, IGMP, SMTP, FTP, UPnP, SNMP, Bonjour |
| Ethernet Port | 1, Ethernet (10/100Base-T), RJ-45 connector |
| Security | IP address filtering; HTTPS encryption; Password protected user level; Anonymous login; IEEE 802.1X network access control |

• Alarm

| | |
|----------------|---|
| Alarm Trigger | Video motion detection (10 regions); External device through digital input; Sound detection |
| Alarm Response | Notify control center; Go to PTZ preset point or preset tour; Change camera settings; Command other devices; E-mail notification with snapshots; Save video or snapshot to local storage; Upload video or snapshot to FTP server; Activate external device through digital output |

• Interface

| | |
|----------------|--|
| Digital Input | 4, Terminal block |
| Digital Output | 2, Terminal block |
| Local Storage | MicroSDHC memory card slot (card not included) |

• General

| | |
|-----------------------|---|
| Power Source | High PoE (IEEE802.3at) 29.4W / AC 24V 68W (With heater controlled by thermostat) |
| Weight | 2500 g (5.51 lb) |
| Dimensions (Φ x H) | 200 mm x 276 mm (7.87" x 10.87") |
| Environmental Casing | Weatherproof (IP67); Vandal proof metal casing (IK10); Scratch-resistant and water-repellent lens glass |
| Mount Type | Gang Box, Pendant, Wall, Corner, Pole |
| Starting Temperature | -52°C ~ 60°C (-61.6°F ~ 140°F) within 30mins at AC 24V -40°C ~ 60°C (-40°F ~ 140°F) within 30mins at High PoE |
| Operating Temperature | -52°C ~ 60°C (-61.6°F ~ 140°F) within 30mins at AC 24V -40°C ~ 60°C (-40°F ~ 140°F) within 30mins at High PoE |
| Operating Humidity | 10% ~ 85% RH, Built-in dehumidifier |
| Approvals | CE (EN 55022 Class B, EN 55024), FCC (Part15 Subpart B Class B), IP67, IK10 (metal casing), NEMA 4X, UL (for bundled power adapter) |

• Integration

| | |
|-------------------------|---|
| Unified Solution | Fully compatible with ACTi software |
| ISV Integration | Software Development Kit (SDK) available; ONVIF Compliant |
| Firmware Access Browser | Microsoft Internet Explorer 8.0 or newer (full functionality); Safari with QuickTime installed, and other browsers with VLC installed (partial functionality) |
| Auto Firmware Upgrade | Yes |
| GPS Position | Manual Setting |

* All specifications are subject to change without notice.

* All brand names and registered trademarks are the property of their respective owners.

www.acti.com

