

# E933M

2MP Video Analytics Outdoor Mini Dome with D/N, Adaptive IR, Extreme WDR, SLLS, M12 Connector, Fixed Lens



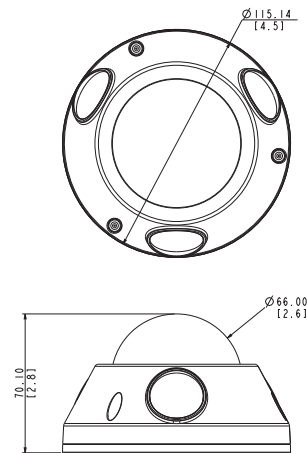
- 2 Megapixel with 1080p
- Day & Night with Super Low Light Sensitivity and Adaptive IR LED
- Fixed Lens with f2.55 mm / F2.2
- Extreme WDR (145 dB)
- 60 fps at 1920 x 1080
- Super Wide Angle
- Weatherproof (IP68), Vandal Proof (IK10) and Vibration Proof (EN50155, M12 Connector)
- Built-in Analytics

## PHOTO INDICATION



- 1 Memory Card Slot
- 2 Power LED
- 3 Reset Button
- 4 Audio Input
- 5 Ethernet Port

## DIMENSION DIAGRAM



Unit: mm [inch]

## ACCESSORY OPTIONS

Power Supply		
PPOE-0001		IEEE 802.3af PoE Injector for Class 1, 2 or 3 devices, with universal adapter
Dome Cover		
PDCX-1112		Vandal proof smoked dome cover for E924(M)-E929(M)

Popular Mounting Solutions		
Surface	Accessories not required	
Wall	PMAX-0316	
Pendant	PMAX-0111 PMAX-1400	
Gang Box	PMAX-0805	
NPT Standard Mounts	PMAX-0809 PMAX-1400	

\* For more mounting solutions, please refer to Project Planner on [www.acti.com](http://www.acti.com)

**PRODUCT SPECIFICATION****E933M****• Device**

Device Type	Outdoor Mini Dome
Image Sensor	Progressive Scan CMOS
Sensor Size	1/2.8"
Effective Pixels	1944 (H) x 1224 (V) (2.38 MP)
Horizontal Resolution	1100 TVL
Day / Night	Yes
Low Light Sensitivity	Superior
Minimum Illumination	Color: 0.1 lux at F2.2 (30 IRE, 2400°K); B/W: 0 lux (IR LED on)
Color to B/W Switch	ISP sensor based switch; Configurable
Mechanical IR Cut Filter	Yes
IR Sensitivity Range	700 - 1100nm
IR LED	Adaptive IR LED x 3 (850 nm)
IR Working Distance	15 m (0 lux, 30 IRE, Gain 255, Manual shutter mode)
Electronic Shutter	1/5 - 1/32,000 sec (manual mode); 1/5 - 1/32,000 sec (auto mode)
S/N Ratio	56 dB

**• Lens**

Focal Length / Aperture	Fixed focal, f2.55mm / F2.2
Iris	Fixed iris
Focus	Fixed focus
Lens Mount	Board mount
Horizontal Viewing Angle	112.7°
Viewing Angle Adjustment	Pan: ±90°; Tilt: 35° ~ 90° (lens FoV from horizon up to 3.65°)

**• Video**

Compression	H.264 (Baseline/ Main/ High profile), MJPEG
Max. Resolution vs. Frame Rate	60 fps at 1920 x 1080; 60 fps at 1280 x 720; 30 fps at 640 x 480; 30 fps at 320 x 240
Multi-Streaming	Simultaneous triple streams based on video configurations
Bit Rate	128 Kbps - 12 Mbps (per stream)
Bit Rate Mode	Constant, Variable
Image Enhancement	Extreme WDR (145 dB); White balance: automatic, hold and manual; Brightness; Contrast; Sharpness; Automatic gain control; 2D+3D digital noise reduction; Flickerless; **Defogging
Privacy Mask	4 configurable regions
Text Overlay	User defined text on video
Image Orientation	Rotation
Built-in Analytics	Motion Detection, Tamper, Digital Image Stabilizer, **Line Crossing, **Enter Area, **Exit Area, **Appear in Area, **Missing Object, **Unattended Object

**• Audio**

Audio	1-way
Compression	8kHz, Mono, PCM, 16 bits encoding, G.711
Audio Input	Line-in and mic-in, cable with 3.5mm phone jack

**• Network**

Protocol & Service	TCP, UDP, HTTP, HTTPS, DHCP, PPPoE, RTP, RTSP, IPv6, DNS, DDNS, NTP, ICMP, ARP, IGMP, SMTP, FTP, UPnP, SNMP, Bonjour
Ethernet Port	1, Ethernet (10/100 Base-T), M12 connector (female, D-Coding, PoE Type A)
Security	IP address filtering; HTTPS encryption; Password protected user levels; Anonymous login; IEEE 802.1X network access control

**• Alarm**

Alarm Trigger	Video motion detection (10 regions); Sound detection
Alarm Response	Notify control center; Change camera settings; Command other devices; E-mail notification with snapshots; Save video or snapshot to local storage; Upload video or Snapshot to FTP

**• Interface**

Local Storage	MicroSDHC memory card slot (card not included)
---------------	--

**• General**

Power Source / Consumption	PoE Class 2 (IEEE802.3af) / 6.49 W
Weight	474 g (1.04 lb)
Dimensions (Ø x H)	115 mm x 70 mm (4.5" x 2.8")
Environmental Casing	Weatherproof (IP68); Vandal proof (IK10); Vibration Proof (EN 50155); Transparent dome cover
Mount Type	Surface, Gang box, Pendant, Wall
Starting Temperature	-20°C ~ 50°C (-4°F ~ 122°F)
Operating Temperature	-20°C ~ 50°C (-4°F ~ 122°F)
Operating Humidity	10% ~ 85% RH
Approvals	CE (EN 55022 Class B, EN 55024), FCC (Part15 Subpart B Class B), IK10, IP68, NEMA 4X, EN 50155, UL (for optional PoE injector)

**• Integration**

Unified Solution	Fully compatible with ACTi software
ISV Integration	Software Development Kit (SDK) available; **ONVIF compliant
Firmware Access Browser	Microsoft Internet Explorer 8.0 or newer (full functionality); Safari with QuickTime installed, and other browsers with VLC installed (partial functionality)
GPS Position	Manual Setting

\*\* Functionalities will be available in a future firmware update

\* All specifications are subject to change without notice.

\* All brand names and registered trademarks are the property of their respective owners.

www.acti.com

