

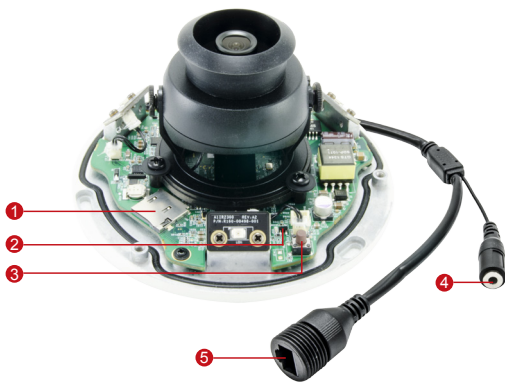
E933

2MP Video Analytics Outdoor Mini Dome with D/N, Adaptive IR, Extreme WDR, Fixed Lens



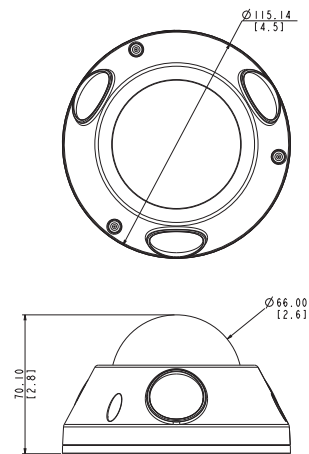
- 2 Megapixel with 1080p
- Day & Night with Adaptive IR LED
- Fixed Lens with f2.55mm / F2.2
- Extreme WDR (145 dB)
- 60 fps at 1920 x 1080
- Super Wide Angle
- Weatherproof (IP68), Vandal Proof (IK10) and Vibration Proof (EN50155)
- Built-in Analytics

PHOTO INDICATION



- 1 Memory Card Slot
- 2 Power LED
- 3 Reset Button
- 4 Audio Input
- 5 Ethernet Port

DIMENSION DIAGRAM



Unit: mm [inch]

ACCESSORY OPTIONS

| Power Supply | | |
|--------------|--|---|
| PPOE-0001 | | IEEE 802.3af PoE Injector for Class 1, 2 or 3 devices, with universal adapter |

| Dome Cover | | |
|------------|--|---|
| PDCX-1112 | | Vandal proof smoked dome cover for E924(M)~E929(M), E933(M) |

| Popular Mounting Solutions | |
|----------------------------|----------------------------|
| Surface | Accessories not required |
| Wall | PMAX-0316 |
| Pendant | PMAX-0111 PMAX-1400 |
| Gang Box | PMAX-0805 |
| NPT Standard Mounts | PMAX-0809 PMAX-1400 |

* For more mounting solutions, please refer to Project Planner on www.acti.com

PRODUCT SPECIFICATION**E933****• Device**

| | |
|--------------------------|--|
| Device Type | Outdoor Mini Dome |
| Image Sensor | Progressive Scan CMOS |
| Sensor Size | 1/2.8" |
| Effective Pixels | 1944(H) X 1224(V) (2.38 MP) |
| Horizontal Resolution | 1110 TVL |
| Day / Night | Yes |
| Low Light Sensitivity | Superior |
| Minimum Illumination | Color: 0.1 lux at F2.2 (30 IRE, 2400°K); B/W: 0 lux at F2.0 |
| Mechanical IR Cut Filter | Yes |
| IR Sensitivity Range | 700 - 1100nm |
| IR LED | Adaptive IR LED x 3 (850 nm) |
| IR Working Distance | 15 m (0 lux, 30 IRE, Gain 255, Manual shutter mode) |
| Electronic Shutter | 1/5 - 1/32,000 sec (manual mode); 1/5 - 1/32,000 sec (auto mode) |
| S/N Ratio | 56 dB |

• Lens

| | |
|--------------------------|--|
| Focal Length / Aperture | Fixed focal, f2.55mm / F2.2 |
| Iris | Fixed iris |
| Focus | Fixed focus |
| Lens Mount | Board mount |
| Horizontal Viewing Angle | 112.7° |
| Viewing Angle Adjustment | Pan: ±90°; Tilt: 35° ~ 90° (lens FoV from horizon up to 3.65°) |

• Video

| | |
|--------------------------------|---|
| Compression | H.264 (Baseline / Main / High profile), MJPEG |
| Max. Resolution vs. Frame Rate | 60 fps at 1920 x 1080; 60 fps at 1280 x 720; 30 fps at 640 x 480; 30 fps at 320 x 240 |
| Multi-Streaming | Simultaneous triple streams based on two configurations |
| Bit Rate | 128 Kbps - 12 Mbps (per stream) |
| Bit Rate Mode | Constant, Variable |
| Image Enhancement | Extreme WDR (145 dB); White balance: automatic, hold and manual; Brightness; Contrast; Sharpness; Automatic gain control; 2D+3D digital noise reduction; Flickerless; **Defogging |
| Privacy Mask | 4 configurable regions |
| Text Overlay | User defined text on video |
| Image Orientation | Image flip and mirror |
| Built-in Analytics | Motion Detection, Tamper, Digital Image Stabilizer, **Line Crossing, **Enter Area, **Exit Area, **Appear in Area, **Missing Object, **Unattended Object |

• Audio

| | |
|-------------|---|
| Compression | 8kHz, Mono, PCM, 16 bit encoding, G.711 |
| Audio Input | Line-in and mic-in, cable with 3.5mm phone jack |

• Network

| | |
|--------------------|---|
| Protocol & Service | TCP, UDP, HTTP, HTTPS, DHCP, PPPoE, RTP, RTSP, IPv4, IPv6, DNS, DDNS, NTP, ICMP, ARP, IGMP, SMTP, FTP, UPnP, SNMP, Bonjour |
| Ethernet Port | 1, Ethernet (10/100 Base-T), RJ-45 connector |
| Security | IP address filtering; HTTPS encryption; Password protected user levels; Anonymous login; IEEE 802.1X network access control |

• Alarm

| | |
|----------------|--|
| Alarm Trigger | Video motion detection (3 regions); Sound detection |
| Alarm Response | Notify control center; Change camera settings; Command other devices; E-mail notification with snapshots; Save video or snapshot to local storage; Upload video or Snapshot to FTP |

• Interface

| | |
|---------------|--|
| Local Storage | MicroSDHC memory card slot (card not included) |
|---------------|--|

• General

| | |
|----------------------------|---|
| Power Source / Consumption | PoE Class 2 (IEEE802.3af) / 6.49 W |
| Weight | 474 g (1.04 lb) |
| Dimensions (Ø x H) | 115 mm x 70 mm (4.5" x 2.8") |
| Environmental Casing | Weatherproof (IP68 rated); Vandal proof (IK10 rated); Vibration Proof (EN50155); Transparent dome cover |
| Mount Type | Surface, Gang box, Pendant, Wall |
| Starting Temperature | -20°C ~ 50°C (-4°F ~ 122°F) |
| Operating Temperature | -20°C ~ 50°C (-4°F ~ 122°F) |
| Operating Humidity | 10% ~ 85% RH |
| Approvals | CE (EN 55022 Class B, EN 55024), FCC (Part15 Subpart B Class B), IK10, IP68, NEMA 4X, EN50155, UL (for optional PoE injector) |

• Integration

| | |
|-------------------------|---|
| Unified Solution | Fully compatible with ACTi software |
| ISV Integration | Software Development Kit (SDK) available; **ONVIF compliant |
| GPS Position | Manual setting |
| Firmware Access Browser | Microsoft Internet Explorer 8.0 or newer (full functionality); Safari with QuickTime installed, and other browsers with VLC installed (partial functionality) |

** Functionalities will be available in a future firmware update