

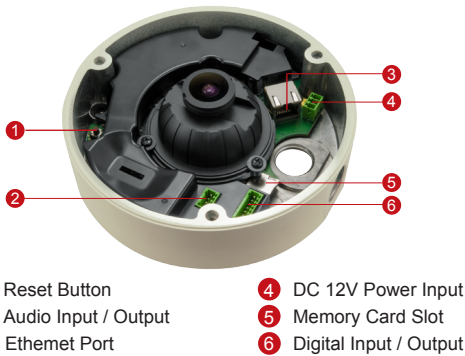
# I71

## 5MP Outdoor Hemispheric Dome with D/N, Advanced WDR, SLLS, ePTZ, Fisheye Lens

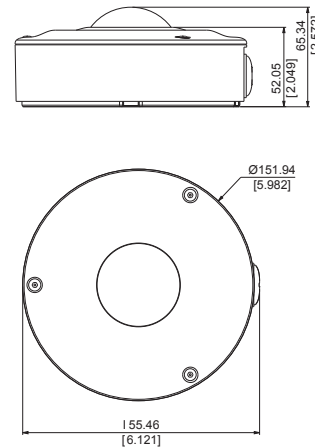


- 5 Megapixel with 1080p
- Day & Night with Superior Low Light Sensitivity
- Fisheye Lens with f1.05mm / F2.8
- Advanced WDR (80 dB)
- 15 fps at 2592 x 1944
- 180/360° Panorama View with Dewarped Streaming
- Weatherproof (IP68) and Vandal Proof (IK10)

### PHOTO INDICATION



### DIMENSION DIAGRAM



Unit: mm [inch]

### ACCESSORY OPTIONS

Power Supply		
PPOE-0001		IEEE 802.3af PoE Injector for Class 1, 2 or 3 devices, with universal adapter
PPBX-0002		AC 100-240V to DC 12V power adapter with universal connector

Popular Mounting Solutions		
Surface	No accessory required	
Wall	PMAX-0330	
Pendant	PMAX-0101 PMAX-0103	
Corner	PMAX-0330 PMAX-0402	
Pole	PMAX-0330 PMAX-0504	
Gang box	PMAX-0804	

\* For more mounting solutions, please refer to Project Planner on [www.acti.com](http://www.acti.com)

## PRODUCT SPECIFICATION

### I71

#### • Device

Product Type	Outdoor Hemispheric Dome
Image Sensor	Progressive Scan CMOS
Sensor Size	1/2.5"
Effective Pixels	2592 (H) x 1944 (V) (5.04 MP)
Horizontal Resolution	1850 TVL
Day / Night	Yes
Low Light Sensitivity	Superior
Minimum Illumination	Color: 0.1 lux at F2.8 (30 IRE, 2400°K); B/W: 0.05 lux at F2.8 (30 IRE, 2400°K)
Color to B/W Switch	ISP based switch, configurable
Mechanical IR Cut Filter	Yes
IR Sensitivity Range	700 - 1100nm
IR LED	No
Electronic Shutter	1/5 ~ 1/2,000 sec (manual mode); 1/5 ~ 1/10,000 sec (auto mode)
S/N Ratio	56 dB

#### • Lens

Focal Length / Aperture	Fixed (fisheye lens), f1.05mm / F2.8
Iris	Fixed iris
Focus	Fixed focus
Mount Type	Board mount
Horizontal Viewing Angle	180° (overview area), 109.8° (high detail area)

#### • Video

Compression	H.264 (Baseline / Main / High profile), MJPEG
Max. Frame Rate vs. Resolution	<b>Fisheye view mode:</b> 15 fps at 2592 x 1944; 15 fps at 2048 x 1536; 30 fps at 1440 x 1080; 30 fps at 1280 x 960; 30 fps at 800 x 600; 30 fps at 640 x 480; 15 fps at 320 x 240 <b>Dewarped view mode:</b> 12 fps at 2592 x 1944; 12 fps at 2048 x 1536; 12 fps at 1920 x 1080; 12 fps at 1280 x 720; 12 fps at 640 x 480; 12 fps at 320 x 240
View Mode	Fisheye view; Dewarped view: 180° / 360° Panorama, ePTZ
Multi-Streaming	Simultaneous dual streams based on two configurations
Bit Rate	28 Kbps - 6 Mbps (per stream)
Bit Rate Mode	Constant, Variable
Image Enhancement	Advanced WDR (80 dB); White balance: automatic, hold and manual; Brightness; Contrast; Sharpness (auto); Automatic gain control; 2D+3D digital noise reduction; Flickerless; Defogging
Privacy Mask	4 configurable regions
Text Overlay	User defined text on video
Image Orientation	Image flip and mirror

#### • Audio

Compression	8 kHz, Mono, PCM, 16 bit encoding; G.711
Audio-In	Terminal block
Audio-Out	Terminal block

#### • Network

Protocol & Service	TCP, UDP, HTTP, HTTPS, DHCP, PPPoE, RTP, RTSP, IPv4, IPv6, DNS, DDNS, NTP, ICMP, ARP, IGMP, SMTP, FTP, UPnP, SNMP, Bonjour, Sony VISCA, Pelco D, Pelco P
Ethernet Port	1, Ethernet (10/100 Base-T), RJ-45 connector
Security	IP address filtering; HTTPs encryption; Password protected user levels; Anonymous login; IEEE802.1X network access control

#### • Alarm

Alarm Trigger	Video motion detection (3 regions); External device through digital input; Sound detection
Alarm Response	Notify control center; Go to ePTZ preset point or preset tour; Change camera settings; Command other devices; E-mail notification with snapshots; Save video or snapshot to local storage; Upload video or snapshot to FTP server; Activate external device through digital output

#### • Interface

Digital Input	2, Terminal block
Digital Output	2, Terminal block
Local Storage	MicroSDHC/MicroSDXC memory card slot (card not included)

#### • General

Power Source / Consumption	PoE Class 3 (IEEE 802.3af) / 7.06 W; DC 12V (adapter not included) / 6.12 W
Weight	909 g (2.0 lb)
Dimensions (Ø x H)	152 mm X 66 mm (6" X 2.6")
Environmental Casing	Weatherproof (IP68 rated); Vandal proof (IK10); Transparent dome cover
Mount Type	Surface, Pendant, Wall, Corner, Pole, Gang box
Starting Temperature	-40 °C - 50°C (-40°F - 122°F)
Operating Temperature	-40 °C - 50°C (-40°F - 122°F)
Operating Humidity	10% ~ 85% RH
Approvals	CE (EN 55022 Class B, EN 55024), FCC (Part15 Subpart B Class B), IP68, NEMA 4X, IK10, UL (for optional PoE injector and power adapter)

#### • Integration

Unified Solution	Fully compatible with ACTi software
ISV Integration	Software Development Kit (SDK) available ; ONVIF compliant
GPS Position	Manual setting
Firmware Access Browser	Microsoft Internet Explorer 8.0 or newer (full functionality) Safari with QuickTime installed, and other browsers with VLC installed (partial functionality)

\* All specifications are subject to change without notice.

\* All brand names and registered trademarks are the property of their respective owners.

[www.acti.com](http://www.acti.com)

