

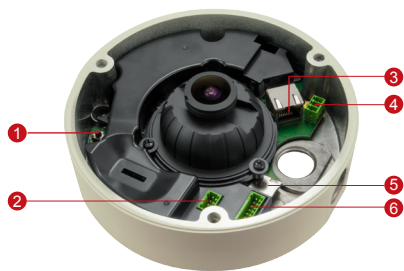
I73

6MP Outdoor Hemispheric Dome with D/N, Advanced WDR, ELLS, ePTZ, Fisheye Lens



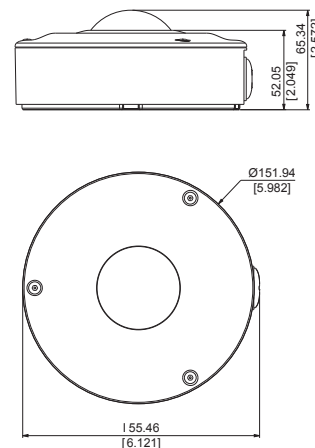
- 6 Megapixel with 1080p
- Day & Night with Extreme Low Light Sensitivity
- Fisheye Lens with f1.3mm / F2.6
- Advanced WDR (80 dB)
- 10 fps at 3072 x 2048
- 180/360° Panorama View with Dewarped Streaming
- Weatherproof (IP68) and Vandal Proof (IK10)

PHOTO INDICATION



- | | |
|------------------------|--------------------------|
| 1 Reset Button | 4 DC 12V Power Input |
| 2 Audio Input / Output | 5 Memory Card Slot |
| 3 Ethernet Port | 6 Digital Input / Output |

DIMENSION DIAGRAM



Unit: mm [inch]

ACCESSORY OPTIONS

| Dome Cover | | |
|------------|--|--|
| PDCX-1110 | | Vandal Proof Smoked Dome Cover for I7x |

| Power Supply | | |
|--------------|--|---|
| PPOE-0001 | | PoE Injector IEEE 802.3af compliant, AC 100-240V, with universal connectors |
| PPBX-0002 | | AC 100-240V to DC 12V power adapter with universal connector |

| Popular Mounting Solutions | | |
|----------------------------|------------------------|--|
| Surface | No accessory required | |
| Wall | PMAX-0330 | |
| Pendant | PMAX-0101 PMAX-0103 | |
| Corner | PMAX-0330 PMAX-0402 | |
| Pole | PMAX-0330 PMAX-0504 | |
| Gang box | PMAX-0804 | |

* For more mounting solutions, please refer to Mounting Accessory Selector on www.acti.com

PRODUCT SPECIFICATION

I73

• Device

| | |
|--------------------------|---|
| Product Type | Outdoor Hemispheric Dome |
| Image Sensor | Progressive Scan CMOS |
| Sensor Size | 1/1.8" |
| Effective Pixels | 3096 (H) x 2080 (V) (6.44 MP) |
| Horizontal Resolution | 2000 TVL |
| Day / Night | Yes |
| Low Light Sensitivity | Extreme |
| Minimum Illumination | Color: 0.1 lux at F2.6 (30 IRE, 2400°K); B/W: 0.05 lux at F2.6 (30 IRE, 2400°K) |
| Color to B/W Switch | ISP based switch, configurable |
| Mechanical IR Cut Filter | Yes |
| IR Sensitivity Range | 700 - 1100nm |
| IR LED | No |
| Electronic Shutter | 1/5 ~ 1/2,000 sec (manual mode); 1/5 ~ 1/10,000 sec (auto mode) |
| S/N Ratio | 56 dB |

• Lens

| | |
|--------------------------|---|
| Focal Length / Aperture | Fixed (fisheye lens), f1.3mm / F2.6 |
| Iris | Fixed iris |
| Focus | Fixed focus |
| Mount Type | Board mount |
| Horizontal Viewing Angle | 203.5° (Overview Area), 124.2° (High Detail Area) |
| Viewing Angle Adjustment | Rotate: -90° ~90° |

• Video

| | |
|--------------------------------|--|
| Compression | H.264 (Baseline / Main / High profile), MJPEG |
| Max. Frame Rate vs. Resolution | Fisheye view mode: 10 fps at 3072 x 2048; 10 fps at 2592 x 1944; 10 fps at 2048 x 1536; 10 fps at 1440 x 1080; 10 fps at 1280 x 960; 10 fps at 800 x 600; 10 fps at 640 x 480 Dewarped view mode: 12 fps at 2592 x 1944; 12 fps at 2048 x 1536; 12 fps at 1920 x 1080; 12 fps at 1280 x 720; 12 fps at 640 x 480; 12 fps at 320 x 240 |
| View Mode | Fisheye view; Dewarped view: 180°/ 360° Panorama, ePTZ |
| Multi-Streaming | Simultaneous dual streams based on two configurations |
| Bit Rate | 28 Kbps - 6 Mbps (per stream) |
| Bit Rate Mode | Constant, Variable |
| Image Enhancement | Advanced WDR (80 dB); White balance: automatic, hold and manual; Brightness; Contrast; Sharpness (auto); Automatic gain control; 2D+3D digital noise reduction; Flickerless; Defogging |
| Privacy Mask | 4 configurable regions |
| Text Overlay | User defined text on video |
| Image Orientation | Image flip and mirror |

• Audio

| | |
|-------------|--|
| Compression | 8 kHz, Mono, PCM, 16 bit encoding; G.711 |
| Audio-In | Terminal block |
| Audio-Out | Terminal block |

• Network

| | |
|--------------------|--|
| Protocol & Service | TCP, UDP, HTTP, HTTPS, DHCP, PPPoE, RTP, RTSP, IPv4, IPv6, DNS, DDNS, NTP, ICMP, ARP, IGMP, SMTP, FTP, UPnP, SNMP, Bonjour |
| Ethernet Port | 1, Ethernet (10/100 Base-T), RJ-45 connector |
| Security | IP address filtering; HTTPs encryption; Password protected user levels; Anonymous login; IEEE802.1X network access control |

• Alarm

| | |
|----------------|--|
| Alarm Trigger | Video motion detection (3 regions); External device through digital input; Sound detection |
| Alarm Response | Notify control center; Go to ePTZ preset point or preset tour; Change camera settings; Command other devices; E-mail notification with snapshots; Save video or snapshot to local storage; Upload video or snapshot to FTP server; Activate external device through digital output |

• Interface

| | |
|----------------|--|
| Digital Input | 2, Terminal block |
| Digital Output | 2, Terminal block |
| Local Storage | MicroSDHC/MicroSDXC memory card slot (card not included) |

• General

| | |
|----------------------------|--|
| Power Source / Consumption | PoE Class 3 (IEEE802.3af) / 7.2 W DC 12V (adapter not included) / 6.24 W |
| Weight | 894 g (1.97 lb) |
| Dimensions (Ø x H) | 152 mm X 66 mm (6" X 2.6") |
| Environmental Casing | Weatherproof (IP68 rated); Vandal proof (IK10); Transparent dome cover |
| Mount Type | Surface, Pendant, Wall, Corner, Pole, Gang box |
| Starting Temperature | -40 °C - 50°C (-40°F - 122°F) |
| Operating Temperature | -40 °C - 50°C (-40°F - 122°F) |
| Operating Humidity | 10% ~ 85% RH |
| Approvals | CE (EN 55022 Class B, EN 55024), FCC (Part15 Subpart B Class B), IP68, NEMA 4X, IK10, UL (for optional PoE injector and power adapter) |

• Integration

| | |
|-------------------------|---|
| Unified Solution | Fully compatible with ACTi software |
| ISV Integration | Software Development Kit (SDK) available ; ONVIF compliant |
| GPS Position | Manual setting |
| Firmware Access Browser | Microsoft Internet Explorer 8.0 or newer (full functionality) Safari with QuickTime installed, and other browsers with VLC installed (partial functionality) |

* All specifications are subject to change without notice.

* All brand names and registered trademarks are the property of their respective owners.

www.acti.com

