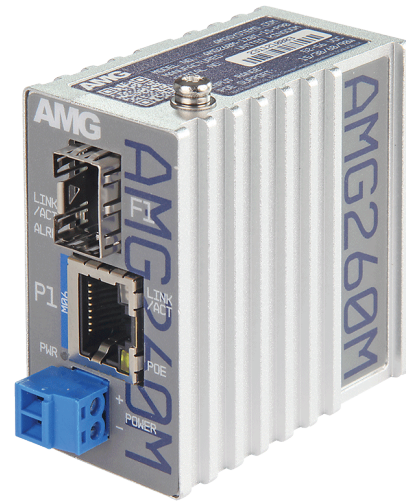


# AMG260M SERIES INDUSTRIAL MINI MEDIA CONVERTER WITH OPTIONAL 30/60/90W POE OR PD



## Industrial Ethernet Solutions

AMG's mini media converters provide a multirate 100Mb/Gigabit Ethernet uplink over fiber via the SFP port with optional 30W or 60/90W PoE or PD. Additional features are supported by user-configurable DIP switches for advanced functionality.



Gigabit x1	Gigabit x1	Gigabit x1	Gigabit x1	100/1000 x1	Features DIP Switch	Temp -40°C~+75°C	Protection IP40	Mounting DIN/Surface	Mounting Magnetic	NDAA/TAA Compliant

[ AMG260M-1GBT-1S-P90 ]

### / OVERVIEW

Designed in an ultra compact DIN rail or wall mount housing, the AMG260M series miniature media converters are ideally suited for connecting equipment to Ethernet networks over long distances using all types of fiber through the integrated SFP port. Fiber connectivity is determined by separate SFP device selection, providing application and site flexibility.

Available in both non-PoE models as well as PoE models for IEEE802.3at 30W or IEEE802.3bt 60/90W they are suitable for powering the latest high powered PoE devices over a wide industrial operating temperature range. A PoE PD powered model is also available for installation in locations without any local power.

User selectable DIP switches allow for configuration of the intelligent link fault pass-through feature for remote end failure detection as well as remote device reset to allow end device reboots from the control room and 250M extended distance mode on the RJ45 port.

A wide range of models are available to suit all design requirements and are fully compatible with all of the AMG250/260 model range.

### / FEATURES

- Ultra compact size – ideal for confined spaces, including camera housings and roadside cabinets
- -40°C to +75°C temperature maintains performance in extreme conditions
- DIN rail or wall mountable - quick to install and remove for maintenance (an optional magnetic mount is also available)
- All SFP ports are multirate 100Mb/Gigabit – support single and multimode, single or dual fiber options up to 120Km
- DIP switch selection of link fault pass-through, remote device reset and extended distance modes
- Supports optional 15W, 30W, 60W and 90W PoE
- Auto-Negotiation (802.3u) – automatically determines the best connection speed
- Designed in the USA & UK. Manufactured in the United Kingdom
- AMG Lifetime Support Warranty

# Specifications.

## Standards.

IEEE802.3i	10Base-T
IEEE802.3u	100Base-TX & 100Base-FX
IEEE802.3ab	1000Base-T
IEEE802.3z	1000Base-X
IEEE802.3af	15W PoE
IEEE802.3at	30W PoE+
IEEE802.3bt	60 & 90W PoE
IEEE802.3x	Flow Control

Jumbo Frames	9.2Kbytes
Address Table	2K MAC Entries

## Interface.

LED Indicators	1x Power SFP Link/Activity RJ45 Link/Activity PoE or PD Alarm
RJ45 Ports	1x 10/100TX RJ45 or 1x 10/100/1000T(X) RJ45 with Auto MDI/MDI-X and 2 kV Isolation Protection
SFP Slot	1x 100/1000FX SFP
Power	1x 2-way Screw Terminal (Not Present On PD Models)

## Switches.

Switch	1x 4 Position DIP Switch
Switch Functions	Link Fault Pass-Through Mode Remote Reset Mode Extended Distance Mode

## Power.

Power Inputs	1
Operating Voltage:	
Non-PoE Models	12-56V <sub>DC</sub>
30W PoE Models	48-56V <sub>DC</sub>
90W PoE Models	52-56V <sub>DC</sub>
PoE PD Models	IEEE 802.3af Class 1 Device
Power Consumption	2.5W Max (without PoE Load)
PSE Modes:	
30W Models	Mode A
60/90W Models	Mode A, Mode B
Protection	Reverse Polarity Overload Current

## Packaging.

Shipping Weight	0.24kg / 0.53lb
Dimensions	(W x D x H) 155 x 145 x 50 mm 6.10 x 5.71 x 1.97 in

## Mechanical.

Housing	Anodised Aluminium
Dimensions:	(W x D x H) 31 x 57 x 57 mm 1.22 x 2.24 x 2.24 in
Excluding DIN & Wall Mounts	
IP Rating	IP40
Installation	Wall Mount or DIN-Rail Optional Magnetic Mounts
Weight	0.14kg / 0.31lb

## Environmental.

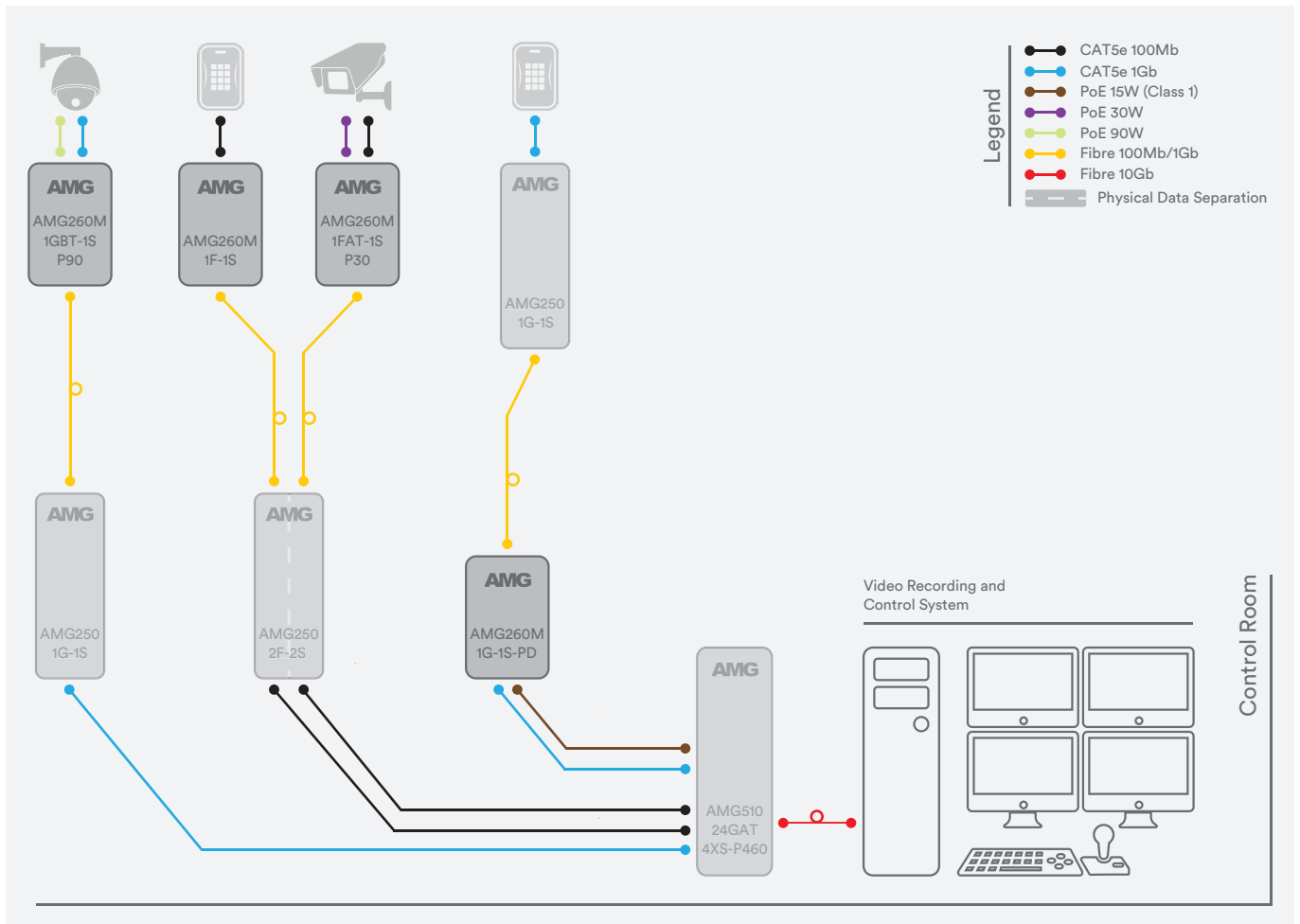
Operating Temp.	-40 to +75°C / -40 to +167°F
Storage Temp.	-40 to +85°C / -40 to +185°F
Humidity	5% to 95% (non-condensing)
MTBF	>500,000 hours
MTBF Standard	Telcordia SR-332 GF 30°C
Heat Dissipation	7 BTU/h (Non-PoE & PD) 109 BTU/h (30W PoE) 314 BTU/h (90W PoE)
Cooling	Passive Cooling
Noise Level	0 dBA

## Regulatory.

Safety	IEC/EN 62368-1
EMI	EN 55032 Class A CISPR 32 FCC Part 15B Class A
EMS	EN 55035 / CISPR 35 EN 61000-4-2 (ESD) EN 61000-4-3 (RS) EN 61000-4-4 (EFT) EN 61000-4-5 (Surge) EN 61000-4-6 (CS) EN 61000-4-8 (PFMF)
Shock	IEC 60068-2-27
Free Fall	IEC 60068-2-32
Vibration	IEC 60068-2-6
Environmental	Reach, RoHS, WEEE
Traffic	NEMA TS2
Supply Chain	NDA & TAA Compliant

Designed to meet EN 50121-4

# Application Diagram.



# Part Numbers.

## Single Channel Mini Non-PoE Media Converters (1+1)

AMG260M-1F-1S*	1 x 10/100BaseT(x) RJ45, 1 x 100/1000BaseFx SFP, Mini
AMG260M-1G-1S*	1 x 10/100/1000BaseT(x) RJ45, 1 x 100/1000BaseFx SFP, Mini

## Single Channel Mini PoE Media Converters (1+1)

AMG260M-1FAT-1S-P30*	1 x 10/100BaseT(x) RJ45 with 30W PoE+, 1 x 100/1000BaseFx SFP, Mini
AMG260M-1FBT-1S-P90*	1 x 10/100BaseT(x) RJ45 with 60/90W PoE+, 1 x 100/1000BaseFx SFP, Mini
AMG260M-1GAT-1S-P30*	1 x 10/100/1000BaseT(x) RJ45 with 30W PoE+, 1 x 100/1000BaseFx SFP, Mini
AMG260M-1GBT-1S-P90*	1 x 10/100/1000BaseT(x) RJ45 with 60/90W PoE+, 1 x 100/1000BaseFx SFP, Mini

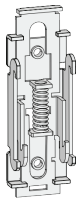
## Single Channel Mini PoE Powered PD Media Converters (1+1)

AMG260M-1F-1S-PD*	1 x 10/100BaseT(x) RJ45 with PoE PD Class 1 Input, 1 x 100/1000BaseFx SFP, Mini
AMG260M-1G-1S-PD*	1 x 10/100/1000BaseT(x) RJ45 with PoE PD Class 1 Input, 1 x 100/1000BaseFx SFP, Mini

\* For conformal coated circuit boards please add /C to the end of the part code. For example AMG260M-1GBT-1S-P90/C

# Included Accessories.

DIN Rail Adapter  
Wall Mount Adapter



Rear/Side/Bottom Mounted Metal DIN Rail Clip & Screws For DIN Rail Mounting AMG260M Series Products  
Rear/Side/Bottom Mounted Wall Mounting Plate & Screws For Wall / Surface Mounting AMG260M Series Products



# Optional Accessories.

AMGMNT-MAG-02  
SFP Modules

2x Rear/Side/Bottom Mounted Magnets & Screws Kit For AMG260M Series, need to be ordered separately  
100Mb & 1Gb Optical/Copper Modules see separate list, need to be ordered separately



# Recommended PSUs.

### Non-PoE Models

AMGPSU-W12-P25 Plug Top Mounting Lite Industrial Grade PSU, 0 to +70°C, 12VDC, 25W, UK/EU/US Plug Heads Included  
AMGPSU-I12-P24A DIN-Rail Mount Industrial Grade PSU, -25 to +70°C, 12VDC, 24W\*

### PoE Models

AMGPSU-I48-P60A DIN-Rail Mounting Industrial Grade PSU, -25 to +70°C, 43-55VDC, 60W\*  
AMGPSU-I48-P120A DIN-Rail Mounting Industrial Grade PSU, -40 to +70°C, 48-55VDC, 120W\*^

\* Also available in kit form including mains line cord, DC cable and DIN rail. Order with -K at the end of the part code (e.g. AMGPSU-I48-P120A-K).

^ Also available with no exposed mains terminals and direct IEC input kit. Order with -IEC at the end of the part code (e.g. AMGPSU-I48-P120A-IEC).

Proud to be a British  
Manufacturer

*In a continuing effort to improve and advance technology, product specifications are subject to change without notice. Please visit [www.amgsystems.com](http://www.amgsystems.com) for the latest product specifications.*