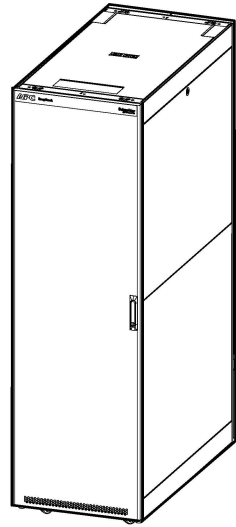




by Schneider Electric

Easy Rack Unpacking Sheet



Inspect the Equipment

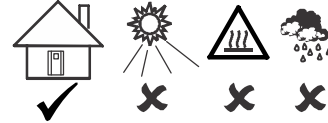
Once you have unpacked the rack, carefully inspect it for visible signs of shipping damage. If you detect shipping damage, contact your shipping company and APC by Schneider Electric Customer Support at the number listed on the yellow label on the front of the enclosure or at www.apc.com.

Tools Required (not provided)

Use scissors or a box cutter to cut through the straps securing the foam packaging on the corners of the rack.

Use a wrench to remove the bolts securing the brackets to the pallet and rack.

Unpacking



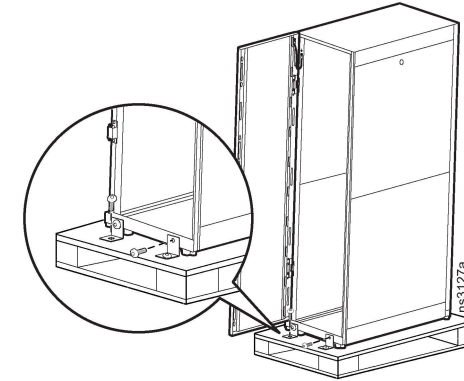
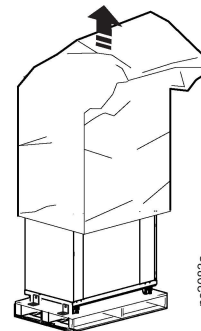
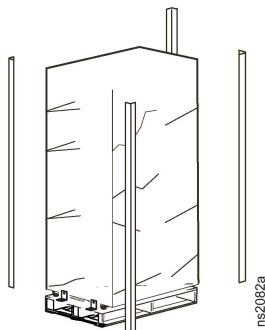
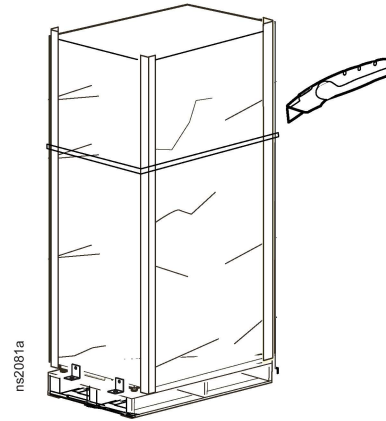
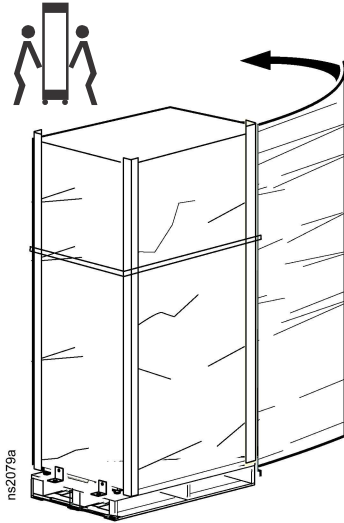
The rack should be stored indoors and out of the weather. Do not allow the rack to be exposed to the elements.

NOTICE

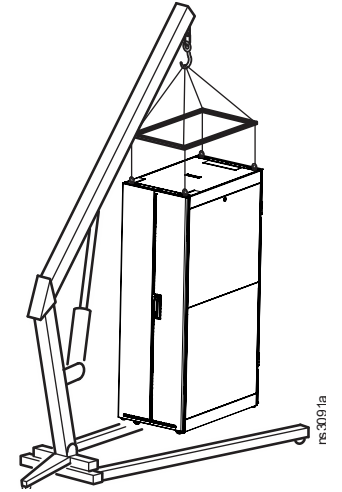
Leaving the rack uncovered and exposed to the elements will cause damage and void the factory warranty.



Recycle or dispose of the packaging materials appropriately.



At least two people are required to remove the rack from the pallet.



IMPORTANT SAFETY INSTRUCTIONS

CAUTION

HEAVY EQUIPMENT HAZARD

- Do NOT attempt to move the rack without assistance. Use at least two people when removing the unit from its pallet. Use a pallet jack or forklift to move the rack while it is still on its shipping pallet. Unload on a level floor only.
- Use caution when moving the enclosure on its casters.
- Push the enclosure from the front or back to move it
- Wear appropriate personal protective equipment (PPE) and follow safe work practices.

Failure to follow these instructions can result in injury or equipment damage.



Receiving

Inspect the exterior packaging

Before unpacking the shipment, verify that the shipping label match the bill of lading and carefully inspect the exterior of the shipment immediately upon receipt.

Z/2021

990-91439

© 2021 Schneider Electric. All rights reserved.

Customer support and warranty information is available at www.apc.com

Worldwide Customer Support