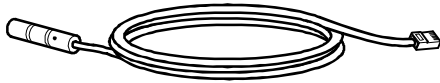
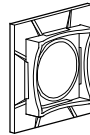


Temperature/Humidity Sensor (AP9335TH) Installation Instructions

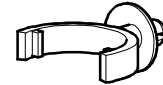
Inventory



4-m (13.12-ft) temperature/humidity sensor (1)



25.4-mm x 25.4-mm
(1-in x 1-in) temperature/
humidity sensor mount (1)



Housing clip (1)



203-mm (8-in) tie wrap (5)



#8 x 3/4-in sheet
metal screw (1)



#8 wall anchor (1)



19-mm x 19-mm (3/4-in x 3/4-in) adhesive
cable tie holder (2)



Wire clip (6)

Installation

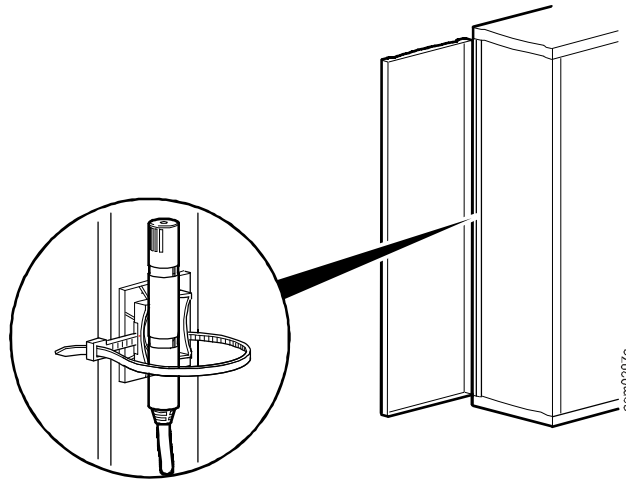


Note: If you use a tie wrap to secure the sensor, tighten the tie wrap over the recessed channel on the sensor. If you use the housing clip, make sure the protrusions on the inside of the clip snap into the slots in the recessed channel.

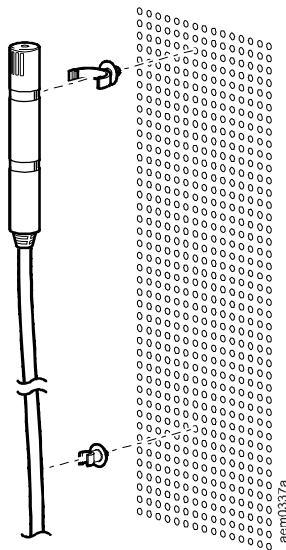


Note: Use adhesive cable tie holders, tie wraps, and wire clips to secure the sensor cable.

Vertical rail



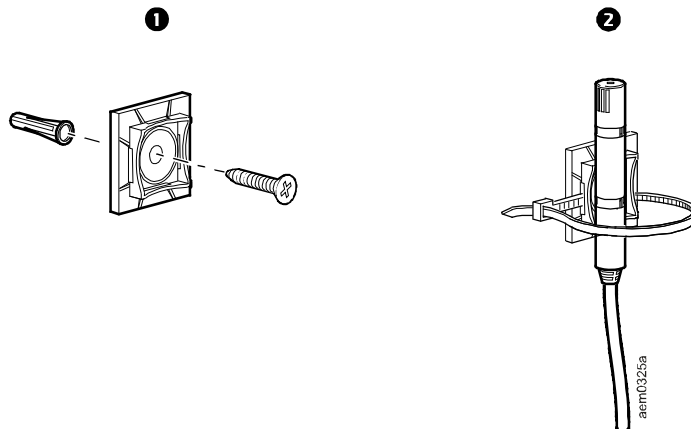
Door



Wall



Note: Drill a 4.76-mm (3/16-in) pilot hole for the wall anchor.



Customer support and warranty information is available at the APC Web site, www.apc.com.

© 2008 American Power Conversion. All rights reserved. All APC trademarks are property of American Power Conversion. Other trademarks are property of their respective owners.

990-3506
11/2008

