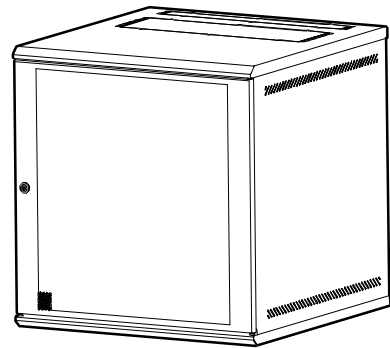




# Assembly and Installation

## NetShelter WX Cabinet

AR106, AR109, AR112



990-9652B

4/2016

Model	Height U/mm	Width mm	Depth mm	Weight lb/kg	Shipping Weight lb/kg
AR106	6/355	600	400	20.7/9.4	32.1/14.6
AR109	9/485	600	400	28.0/12.7	35.3/16.0
AR112	12/620	600	600	40.3/18.3	51.0/23.1

For all three Models: Loading rate, (lb/kg) 200/90.7

## Unpacking

### Inspection

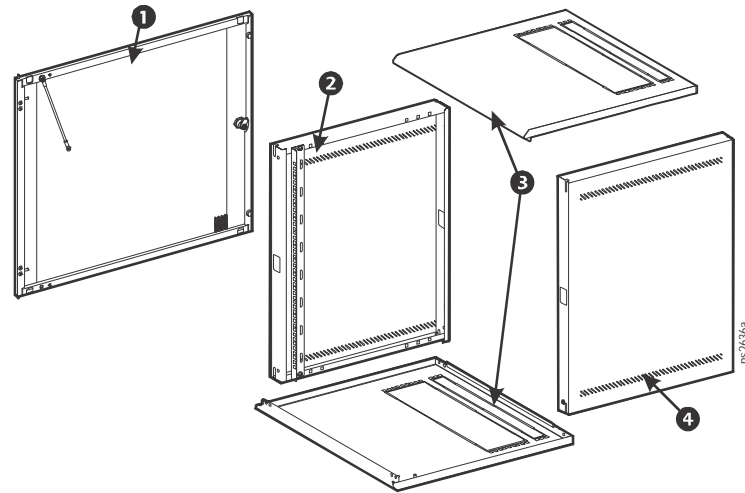
Move the product to a firm, level surface. Inspect the packaging for signs of damage.

Contact the shipping company to report any damage and then contact your local distributor or Schneider Electric Customer Support at [www.schneider-electric.com](http://www.schneider-electric.com).

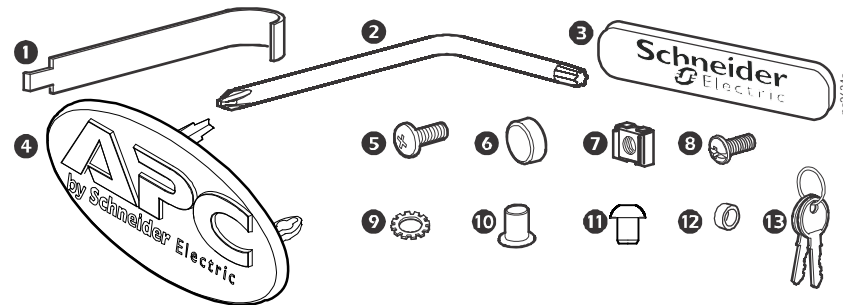


Please Recycle.  
Dispose of all packaging in a responsible manner.

## Inventory



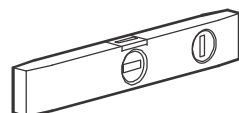
Item	Description	Quantity
1	Door	1
2	Left side panel	1
3	Top/bottom cover	2
4	Right side panel	1



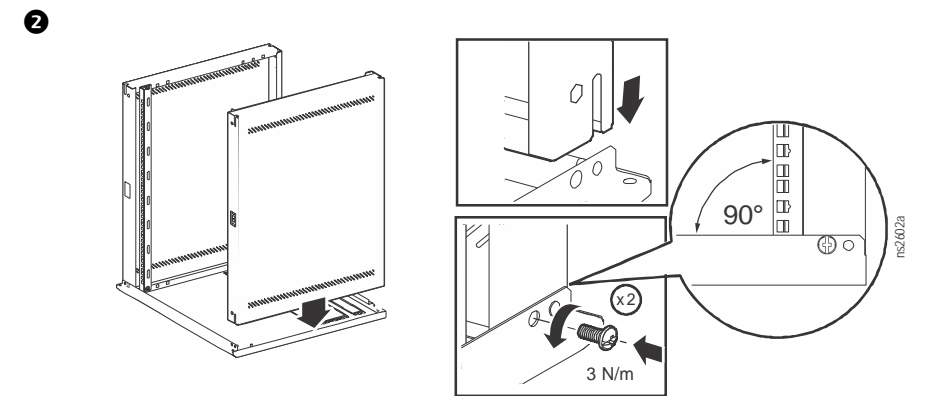
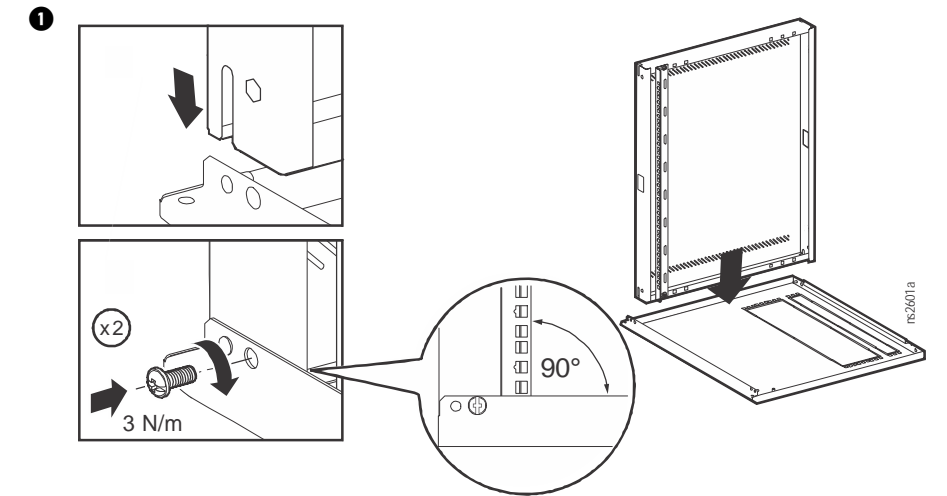
Item	Description	Quantity
1	Cage nut tool	1
2	Wrench, T30/#2 Phillips	1
3	Schneider Electric badge	1
4	APC badge	1
5	Screw, Phillips/Slot, M6 x 16	24 (AR106) 36 (AR109) 48 (AR112)
6	Cup, M6, black plastic	24 (AR106) 36 (AR109) 48 (AR112)
7	Caged nut M6	24 (AR106) 36 (AR109) 48 (AR112)
8	Screw, Phillips, M6 x 12	10
9	Washer, serrated, M6	1
10	Bushing, door, plastic	3
11	Hole plug, door, 4mm, plastic	2
12	Washer, plastic	2
13	Keys	2

## Tools Required (Not Provided)

Level



## Assembly



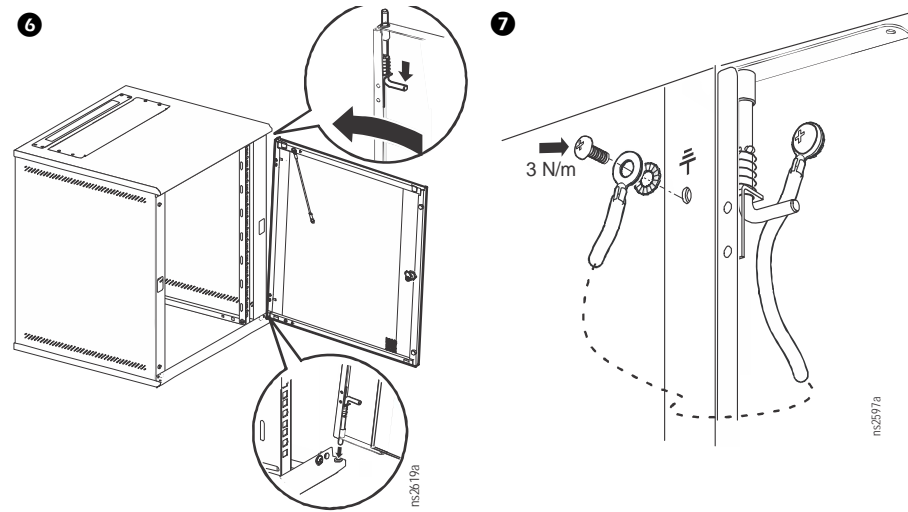
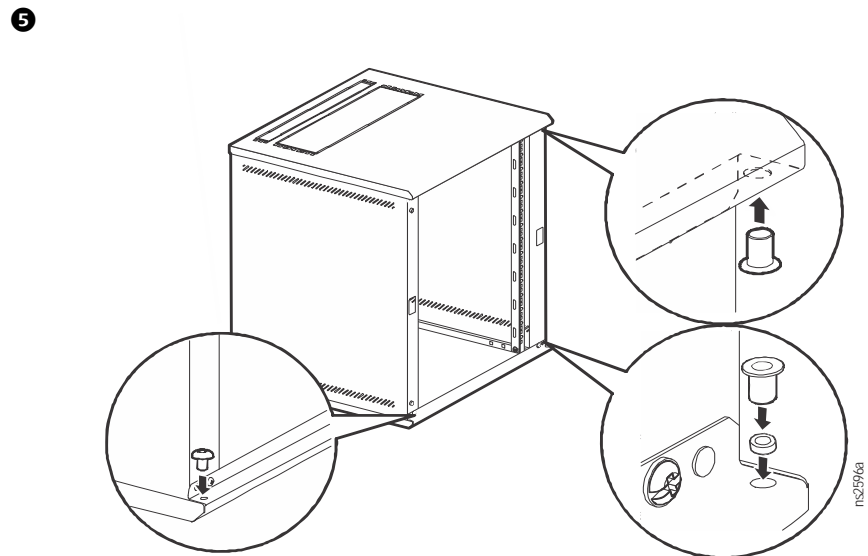
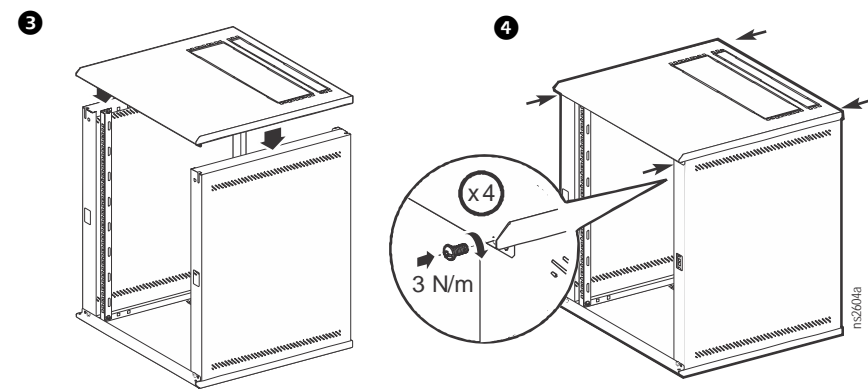
4/2016

990-9652B

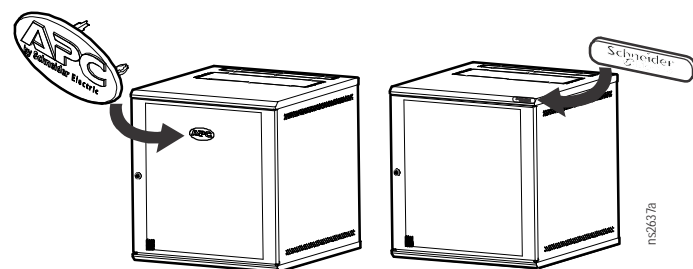
© 2016 Schneider Electric. All rights reserved.

Contact [www.schneider-electric.com](http://www.schneider-electric.com) for more information.

Worldwide Customer Support

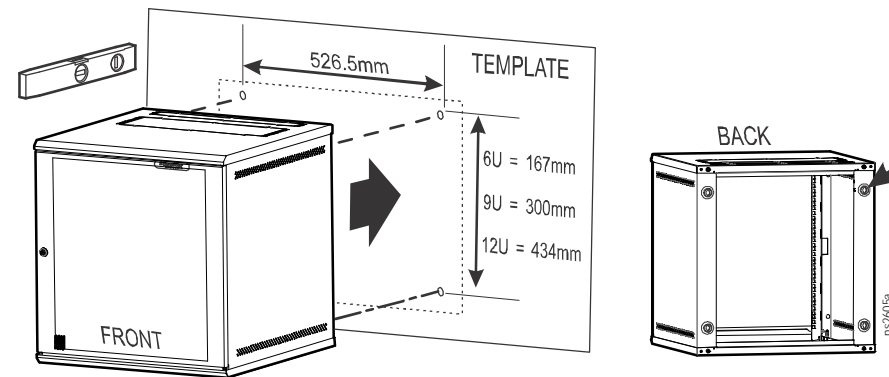


**Select a badge**

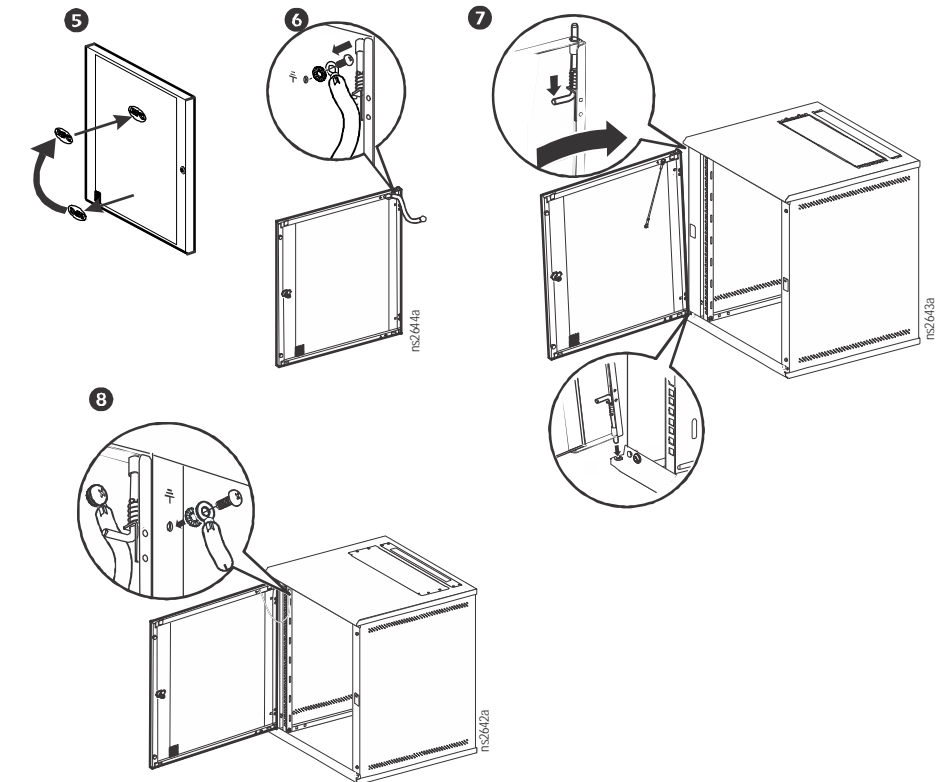
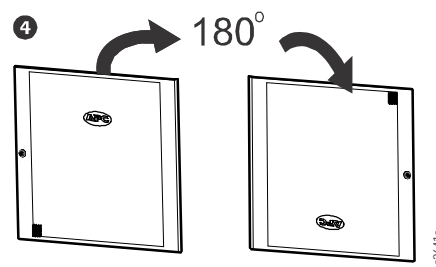
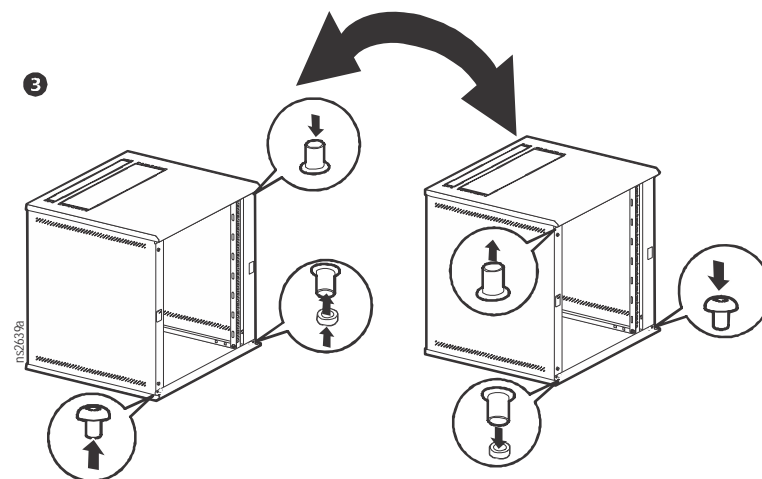
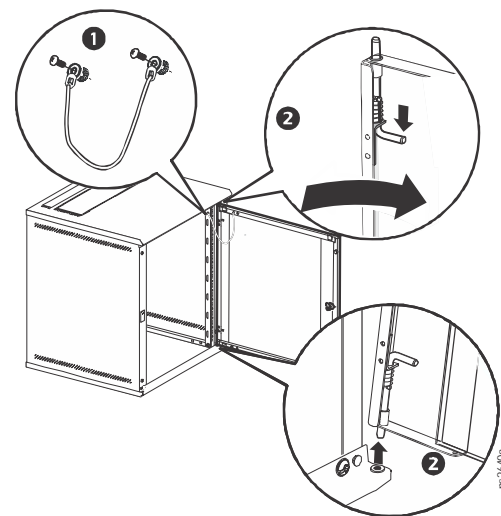


**Installation**

Use the template to mark the location of mounting hardware to your wall. Install the appropriate hardware (not included) to the wall, following all local regulations. There are four (4) keyhole cutouts on the back of the side panels that will accommodate up to a M6 or 1/4 in. bolt.

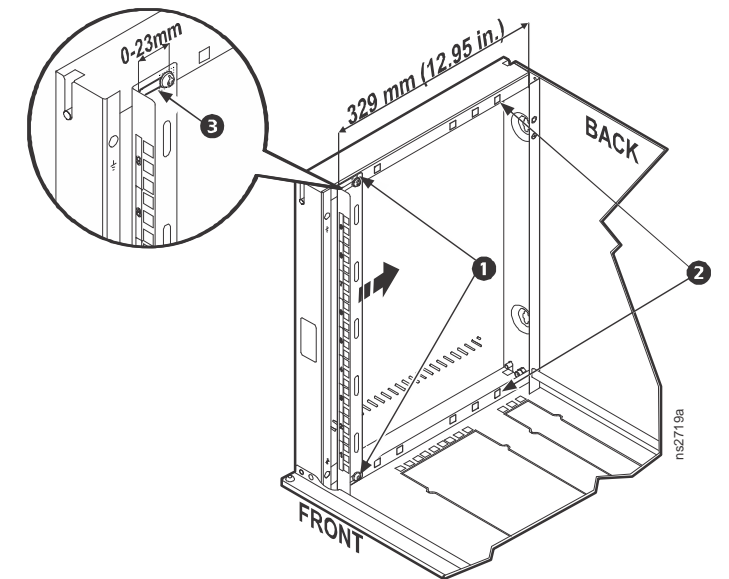


**Reverse the door**



**Rail Adjustment**

The rails can be adjusted to 6 positions using the square holes 2 with cage nuts installed. The forward most position includes a threaded PEM nut 1 for rapid installation. The other 5 mounting locations use a cage nut to mount the vertical mounting rail into position. The slotted hole 3 in the vertical mounting rail allows for 0 to 23mm (0.9 in.) adjustment at each position.



**NOTE:** AR109 is shown in the cutaway illustration. The door and top panel have been removed for clarity.

**NOTE:** Position dimensions in the table below are listed from the front (maximum) of the cabinet to the back (minimum).

	AR106 / AR109		AR112			AR106 / AR109		AR112	
Position	mm	in.	mm	in.	Position	mm	in.	mm	in.
1	329	13.0	529	20.8	4	153	6.0	153	6.0
2	289	11.4	489	19.3	5	113	4.4	113	4.4
3	249	9.8	449	17.7	6	73	2.9	73	2.9