



AVA FLEX CAMERA



Fixed lens camera with color night vision



Versatile, lightweight, and fit for discreet indoor installations



Insights from integrated environmental sensors



Simple to install and onboard with QR code scanning



WiFi and PoE for flexible deployment



Built-in AI video and audio analytics and on-device storage



Factory-installed certificates backed by a trusted platform module (TPM)



NDA-compliant: designed and developed in Norway and the UK, manufactured in Taiwan

Image sensor

2MP

Image sensor size format

1/2.7"

Lens

Focal length: 3.3 mm

Aperture: *f*/1.1

Fixed focus

Night vision

Color night vision

Adaptive white light

Minimum illumination in color mode

<0.1lux

Field of view

110° horizontal

58° vertical

Maximum resolution & Frame rate

1920x1080, 30fps

Dynamic range

Multi-exposure line-based HDR

Video compression

H.265, H.264, Motion JPEG

Audio

Microphone

Audio classification

Temperature

Typical Accuracy $\pm 2.5^{\circ}\text{C}$ ($\pm 4.5^{\circ}\text{F}$)

Relative Humidity

Typical Accuracy $\pm 5\%$

Security

Trusted Platform Module (TPM 2.0)

Factory installed certificates

No default passwords

Mandatory access authentication

HTTPS/TLS encryption

Network protocols

IPv4, HTTPS, TLS, DNS, mDNS, DNS-SD,

NTP, RTSP, RTP, RTCP, ICMP, DHCP, ARP

Streaming: RTP/UDP, RTP/RTSP/HTTPS/TCP

Power source

PoE 802.3af or USB-C 1.5A

Power consumption

Typical: 3.5W

Max: 6W

Storage

MicroSD, SDXC High Speed

Connection

802.3u 10/100 Ethernet

USB-C for preview and setup

Wireless connection

Wi-Fi 5 (IEEE 802.11a/b/g/n/ac)

Bluetooth 5.0

Installation aid

Suitable for ceiling and wall mount

Screws and wall plugs included

$\frac{1}{4}$ "-20 UNC Standardized camera mount thread

Compatible with Ava Drop Ceiling Mount

Adjustment range

Pan, Tilt, Roll

Temperature

Operating: 0°C to $+40^{\circ}\text{C}$

Storage: -40°C to $+60^{\circ}\text{C}$

Physical characteristics

Dimensions: With Ball joint mount:

80 x 80 x 96 mm, 202 g

Camera: 80 x 80 x 38 mm, 142 g

EMC

EN 55032, 2014/53/EU, BS EN 55032, SI 2017/1206,

AS/NZS CISPR 32,

FCC Part 15B, ICES-003 Issue 6

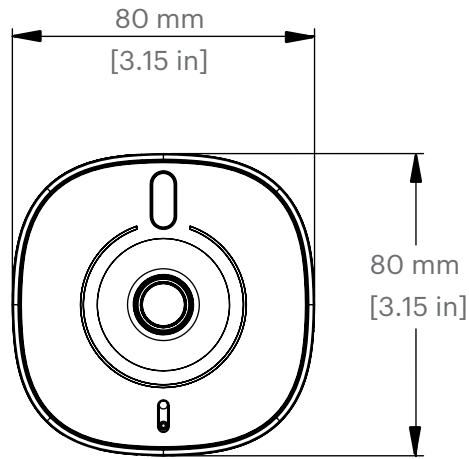
Safety

EN 62368, UL 62368, LVD

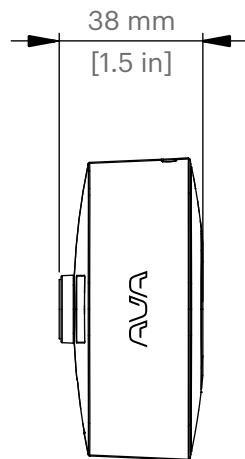
Technical drawings

Camera Housing

Front view

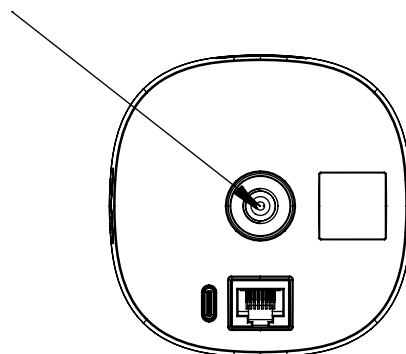


Side view



Rear view

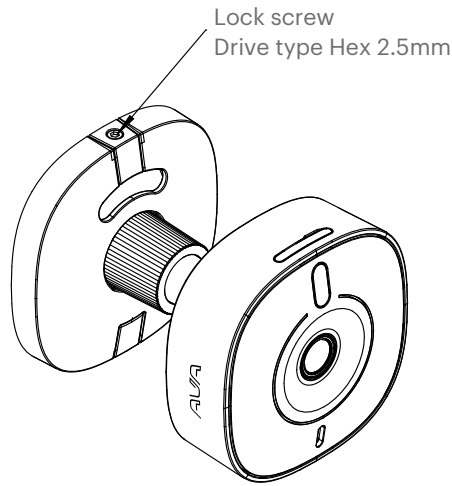
Threaded insert
1/4 in -20 UNC ∇ 5 mm [0.23 in]



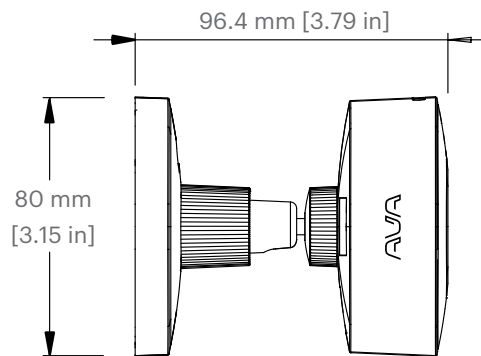
Technical drawings

Ball Joint Mount

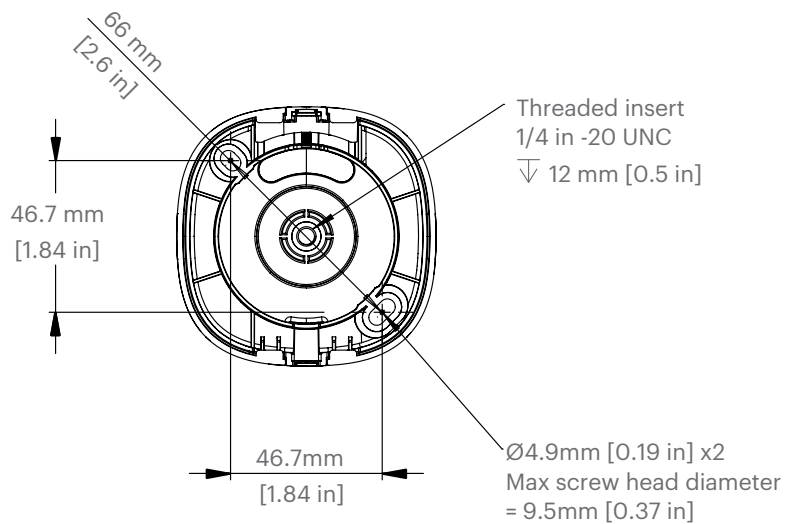
Front 3/4 view



Side view



Rear view



Ordering information

Ava Flex

Product ID	Retention	Color
FLEX-2MP-7	7 days*	White

*30 days cloud storage

Accessories

Product ID	Product name	Color
ACC-DRO-CEI	Drop Ceiling mount	N/A