









# AVIGILON™

# AVA BULLET CAMERA

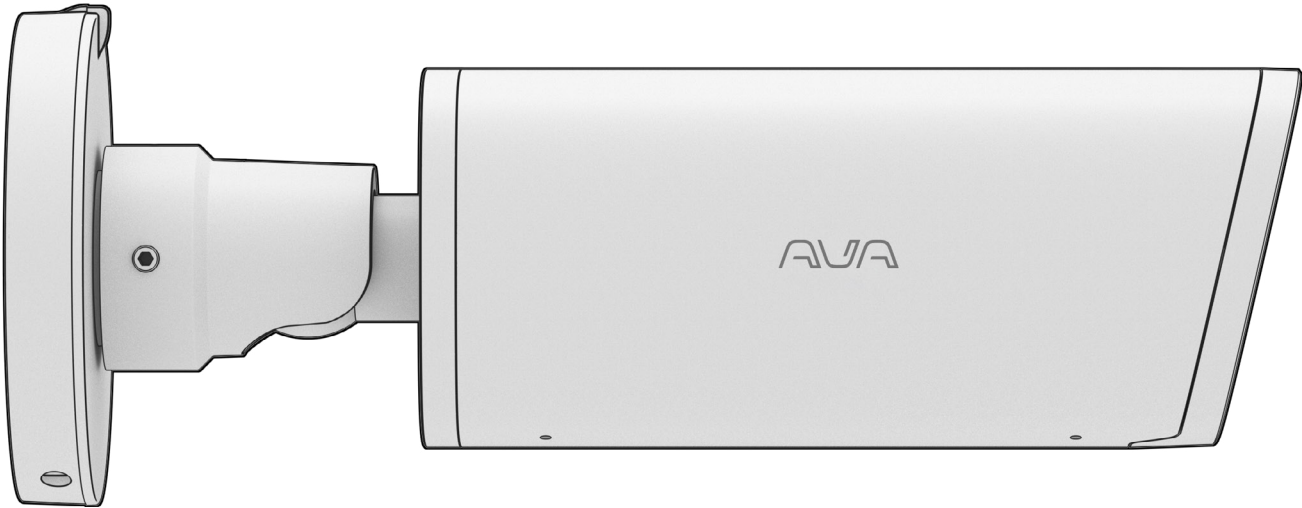
# MOUNTING GUIDE

Avigilon Alta Cloud Security

# IMPORTANT WARNINGS AND SAFETY INSTRUCTIONS

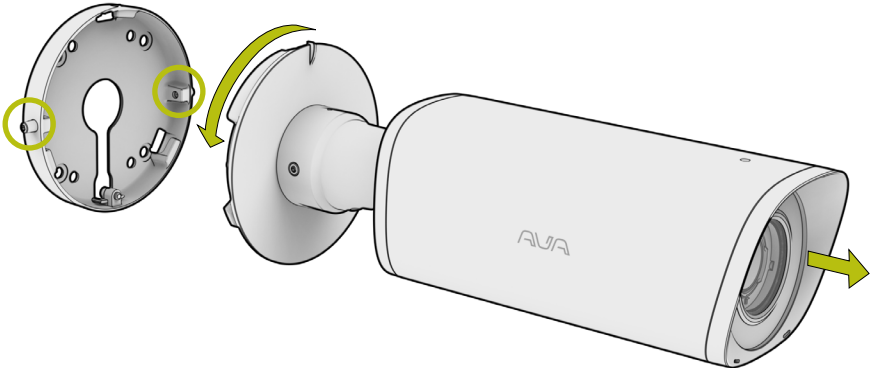
-  **Avoid** exposing the camera to shocks, high pressure or temperatures above 50°C.
-  **Avoid** placing the camera near fans, ventilation or other noise sources. This will degrade audio performance.
-  **Avoid** scratching or leaving fingerprints on the lens cover, this degrades image quality. If possible, keep the protective plastic on the lens cover during installation.
-  **Do not** clean the camera with harsh detergents, gasoline or chemicals such as acetone.
-  **Do not** try to repair the unit yourself. Refer all servicing of the camera to Avigilon or contact a reseller.
-  **Do not** install the camera during rain, mist or other conditions of high humidity. Water may be trapped inside, causing damage or condensation issues.
-  This product should be supplied by a Power over Ethernet Power Sourcing Equipment (PSE) compliant to IEEE 802.3at Type 2 (PoE+).
-  The camera should be connected only to PoE networks without routing to the outside plant. The PoE PSE must be properly grounded.

# BOX CONTENTS

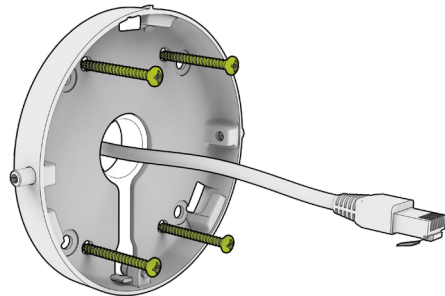


# USING THE WALL BRACKET

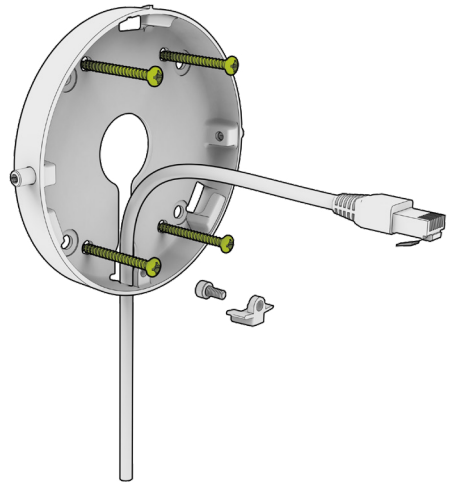
1



2



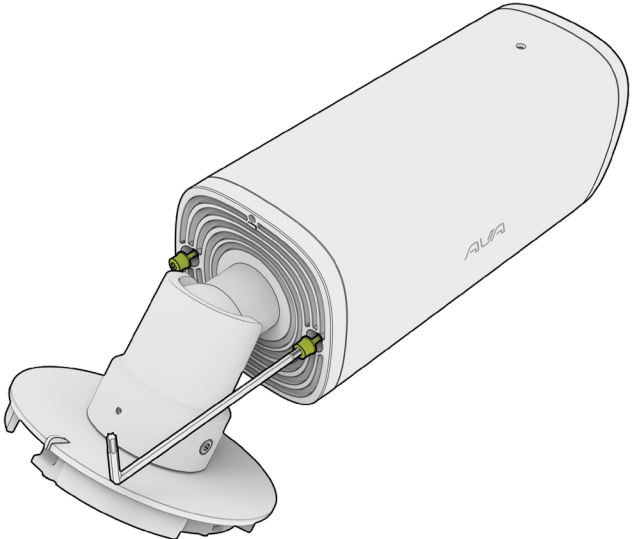
3



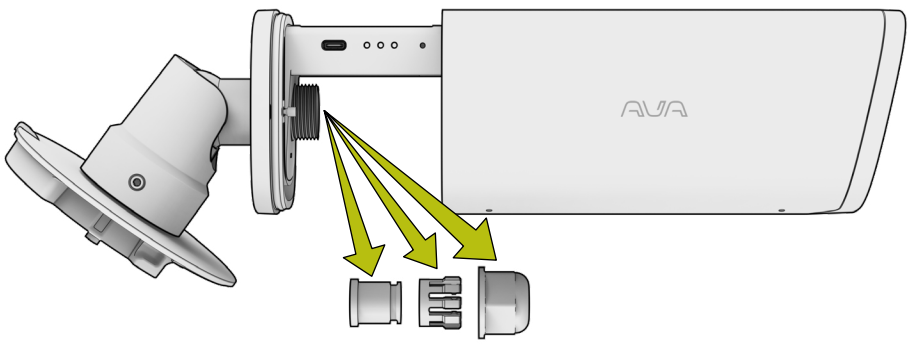
Screws are not included. The installer must use suitable fasteners.

# OPENING THE HOUSING AND REMOVING CABLE GLAND

3



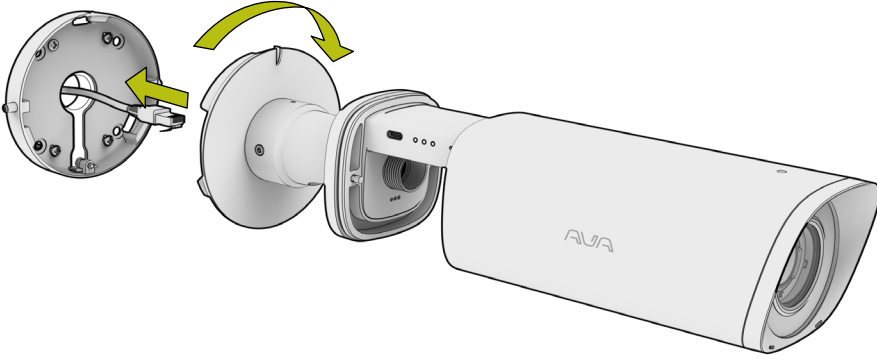
4



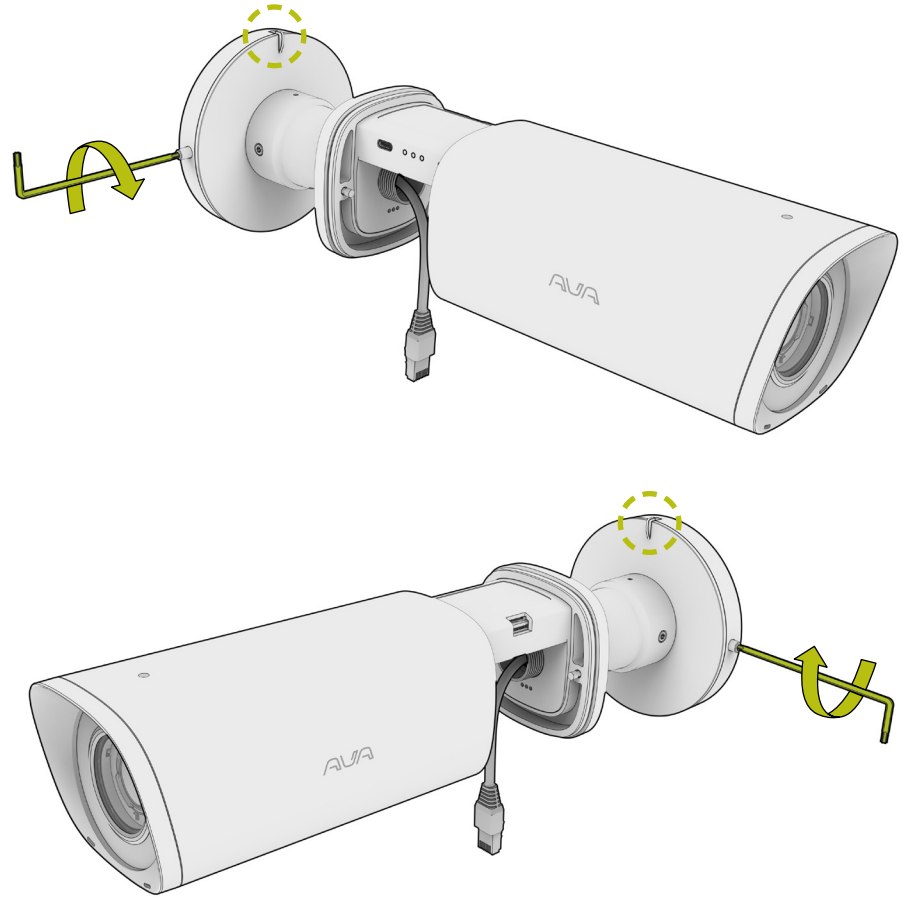
It's easier to access the screws when the ball joint is moved to an angle.

# OPENING THE HOUSING AND REMOVING CABLE GLAND

5

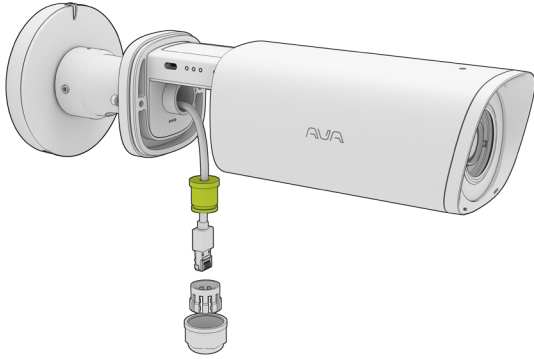


6



# INSTALLING CABLE GLAND AND CONNECTING ETHERNET CABLE

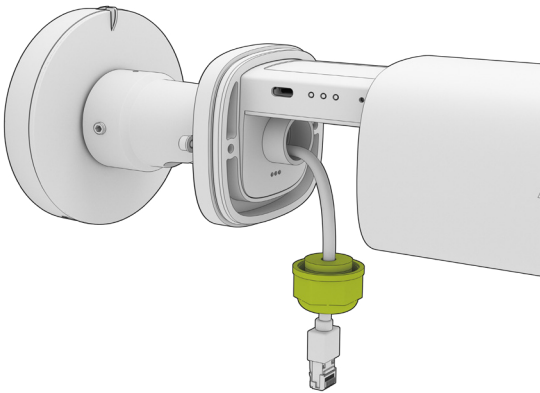
7



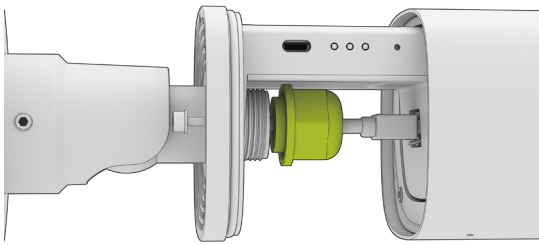
8



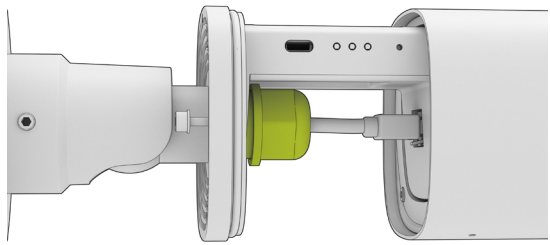
8



10



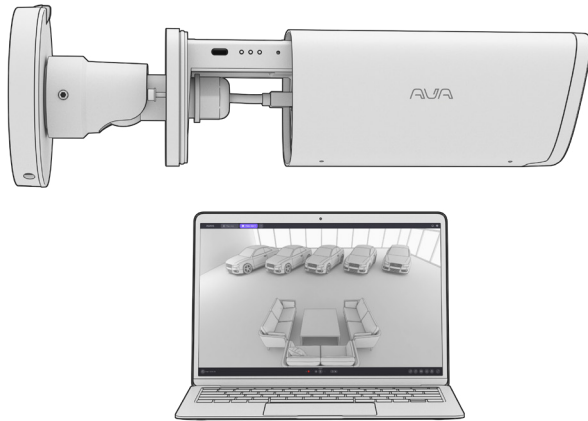
11



# CONNECT THE CAMERA AND ADJUST THE PICTURE

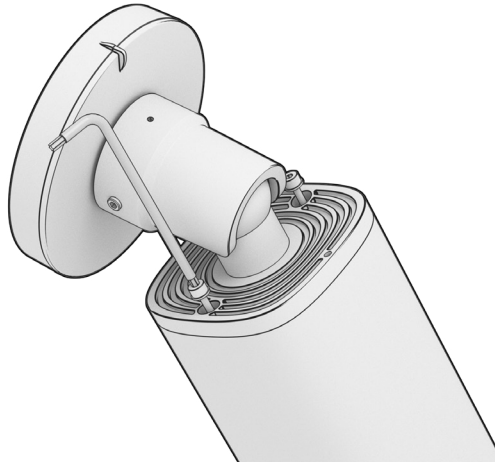
**12**

Add the Camera to Ava Aware and ensure that the video stream is working.



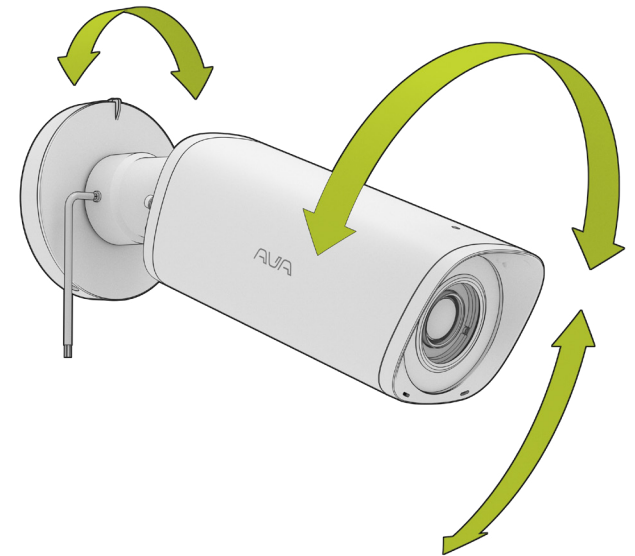
**13**

Add the Camera to Alta Aware and ensure that the video stream is working.



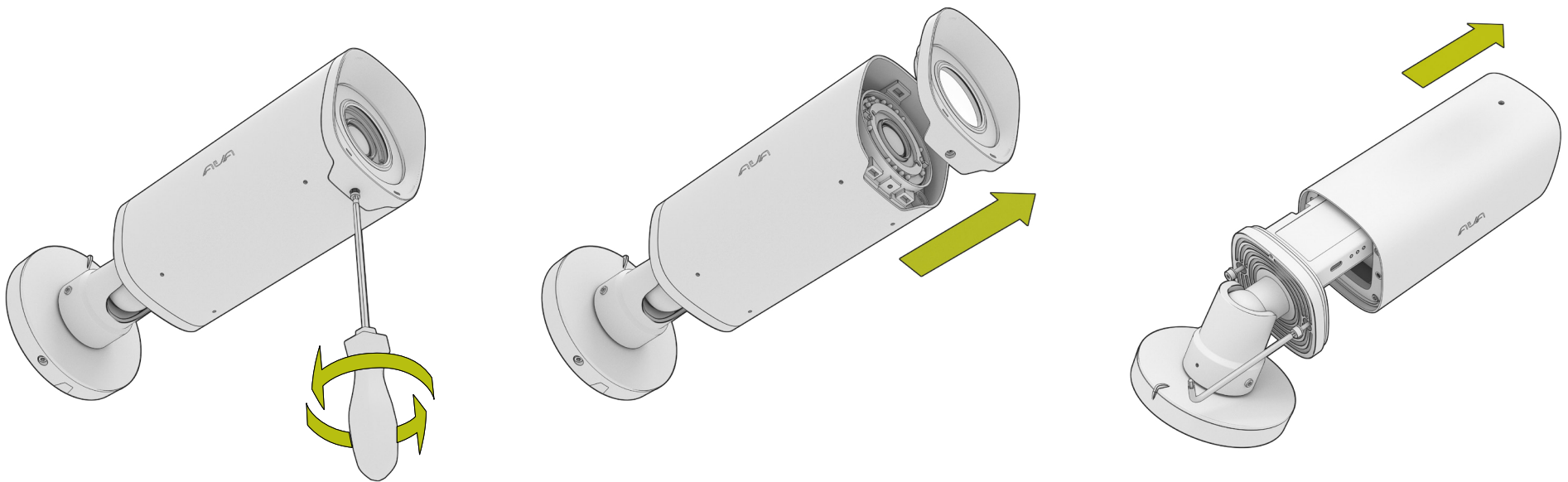
**14**

Install the top mounting plate.  
Note the front indicators indicate the default front side of the camera. Install the mounting plate with the orientation you prefer.





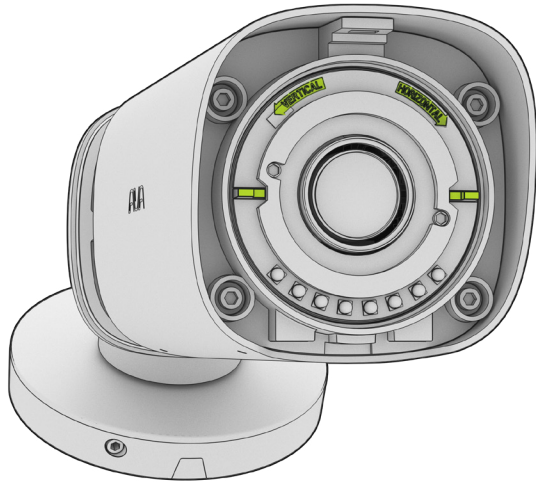
# CHANGE LENS ORIENTATION, HORIZONTAL (16:9) - VERTICAL (9:16)



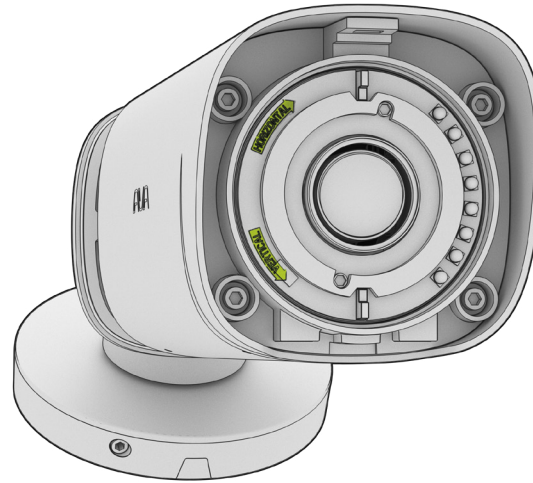
Please be aware of the screw, it can easily be lost during disassembly.

# CONNECT THE CAMERA AND ADJUST THE PICTURE

 HORIZONTAL



 VERTICAL



Ensure the camera body has been opened before attempting to rotate the lens.

To learn more, visit:  
[www.avigilon.com](http://www.avigilon.com)



Motorola Solutions, Inc. 500 West Monroe Street, Chicago, IL 60661 U.S.A. [motorolasolutions.com](http://motorolasolutions.com)

© 2023, Avigilon Corporation. All rights reserved. MOTOROLA, MOTO, MOTOROLA SOLUTIONS and the Stylized M Logo are trademarks or registered trademarks of Motorola Trademark Holdings, LLC and are used under license. All other trademarks are the property of their respective owners. 07-2023 [DS01]