











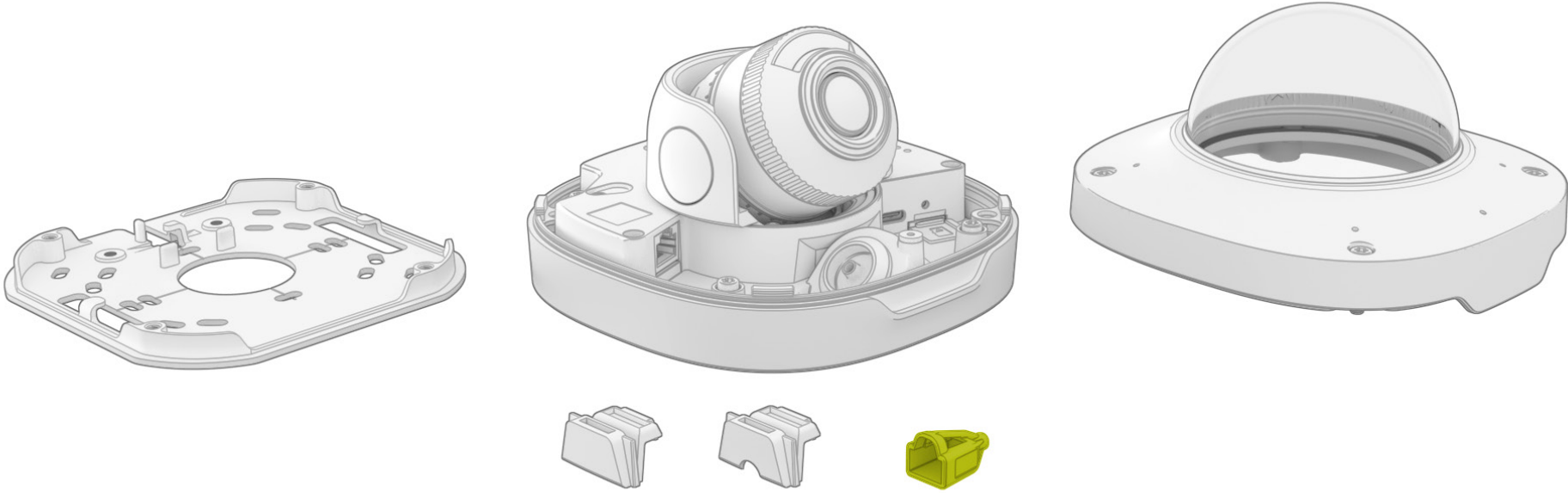
# AVIGILON™ AVA DOME CAMERA MOUNTING GUIDE


Avigilon Alta Cloud Security

# IMPORTANT WARNINGS AND SAFETY INSTRUCTIONS

-  **Avoid** exposing the camera to shocks, high pressure or temperatures above 50°C.
-  **Avoid** placing the camera near fans, ventilation or other noise sources. This will degrade audio performance.
-  **Avoid** scratching or leaving fingerprints on the lens cover, this degrades image quality. If possible, keep the protective plastic on the lens cover during installation.
-  **Do not** clean the camera with harsh detergents, gasoline or chemicals such as acetone.
-  **Do not** try to repair the unit yourself. Refer all servicing of the camera to Avigilon or contact a reseller.
-  **Do not** install the camera during rain, mist or other conditions of high humidity. Water may be trapped inside, causing damage or condensation issues.
-  This product should be supplied by a Power over Ethernet Power Sourcing Equipment (PSE) compliant to IEEE 802.3at Type 2 (PoE+).
-  The camera should be connected only to PoE networks without routing to the outside plant. The PoE PSE must be properly grounded.

# BOX CONTENTS

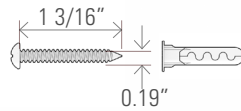
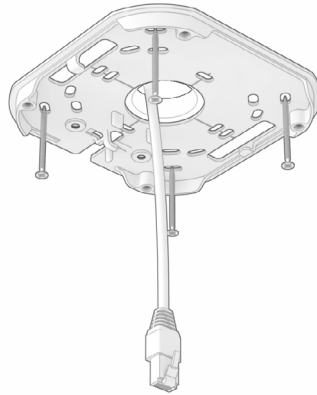


 Choose the appropriate screw and anchor for your ceiling or wall. The proposed screw and anchor are a good choice for mounting to concrete or brick.  
/ Elija el tornillo y el anclaje adecuados para su techo o muro. El tornillo y el anclaje recomendados son buenas opciones para el montaje en hormigón o ladrillo.

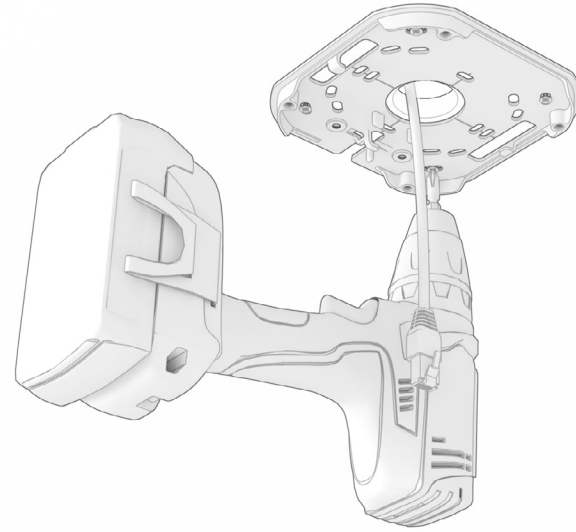
1



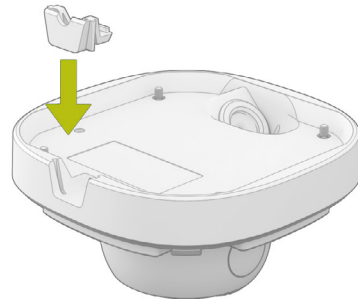
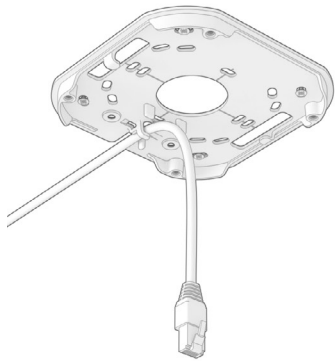
2



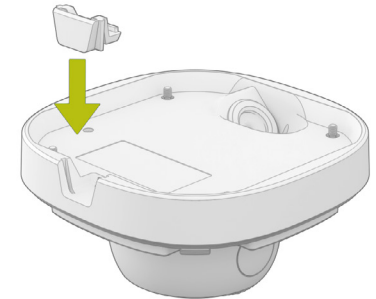
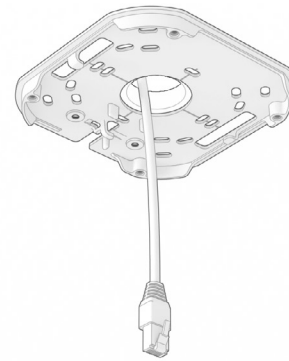
3



4A



4B

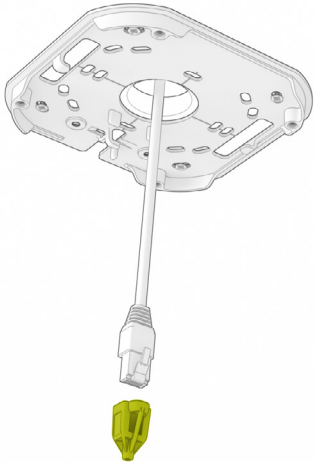




The camera is powered over Ethernet.

/ La cámara funciona a través de cable Ethernet.

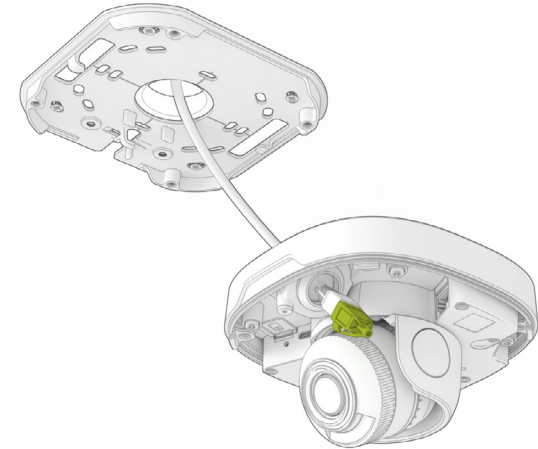
5



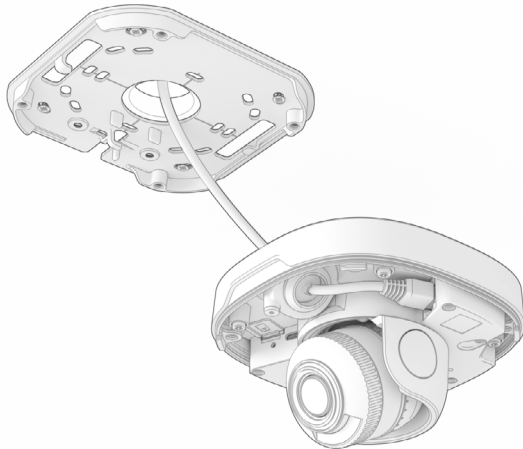
6



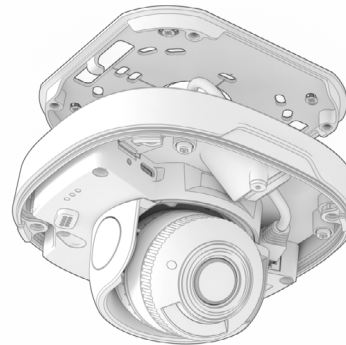
7



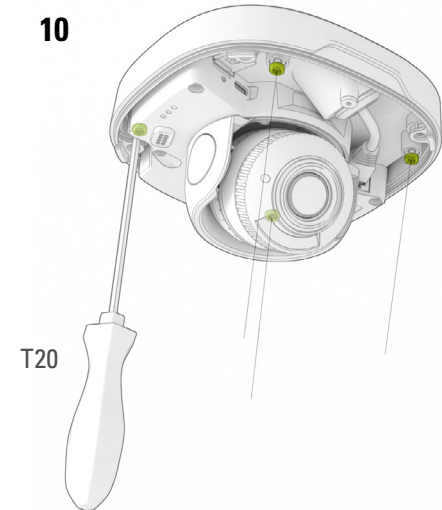
8



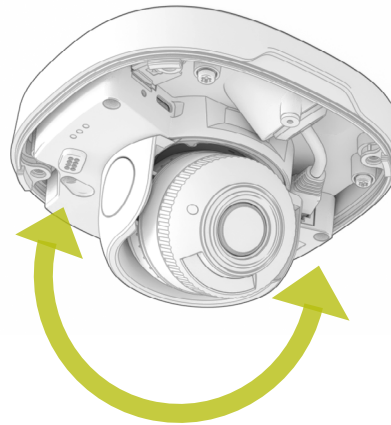
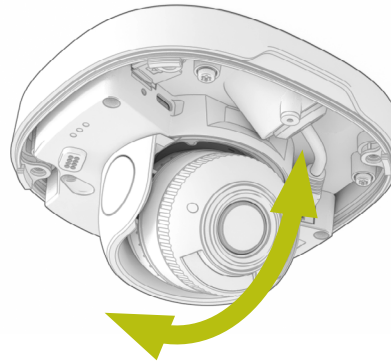
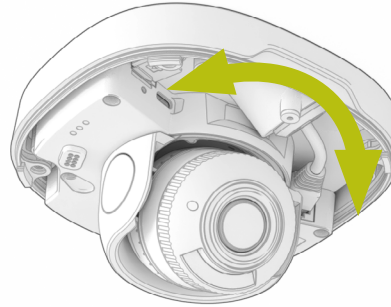
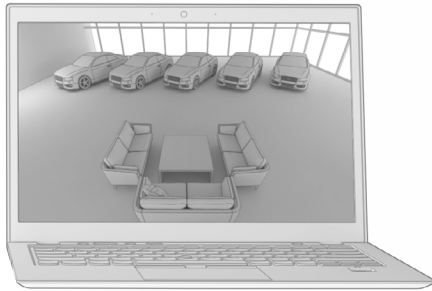
9



10



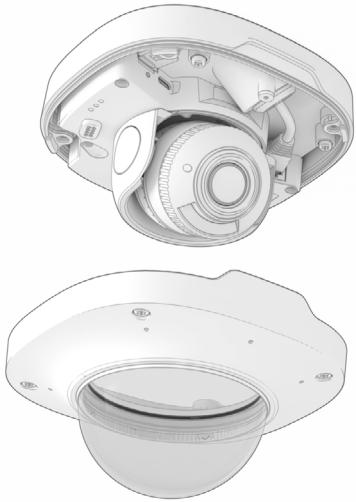
11





Make sure the light sensor is not covered by the casing.  
/ Asegúrese de que el sensor de luz no está cubierto por la carcasa.

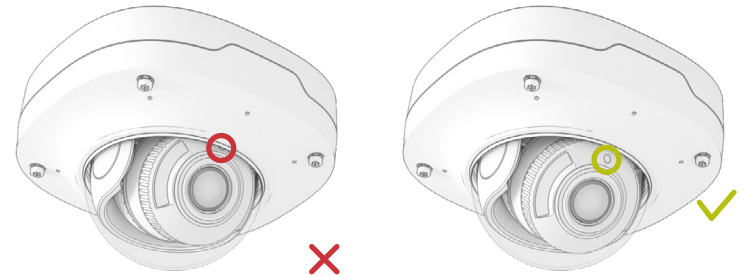
12



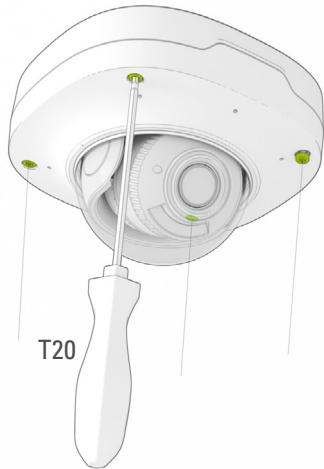
13



14



15



To learn more, visit:  
[www.avigilon.com](http://www.avigilon.com)



Motorola Solutions, Inc. 500 West Monroe Street, Chicago, IL 60661 U.S.A. [motorolasolutions.com](http://motorolasolutions.com)

© 2023, Avigilon Corporation. All rights reserved. MOTOROLA, MOTO, MOTOROLA SOLUTIONS and the Stylized M Logo are trademarks or registered trademarks of Motorola Trademark Holdings, LLC and are used under license. All other trademarks are the property of their respective owners. 07-2023 [DS01]