

# AVIGILON™ AVA FLEX CAMERA

Avigilon Alta Cloud Security



The wireless Avigilon Ava Flex Camera for Alta Aware packs powerful audio and video analytics, sensor insights and smart security tools into a compact form factor. The indoor Flex Camera offers easy wireless setup, flexible mounting options and on-camera storage and processing, making it easy to install almost anywhere. The Avigilon Ava Flex Camera provides a low barrier to entry for cloud-native security, making it an ideal fit for small businesses and organizations with distributed sites.



Fixed lens camera with color night vision



Wi-Fi and PoE for flexible deployment



Versatile, lightweight, and fit for discreet indoor installations



Built-in AI video and audio analytics and on-device storage



Insights from integrated environmental sensors



Factory-installed certificates backed by a trusted platform module (TPM)



Simple to install and onboard with QR code scanning



NDA-Compliant: designed and developed in Norway and the UK, manufactured in Taiwan



## FEATURES

<b>IMAGE SENSOR</b>
2MP
<b>IMAGE SENSOR SIZE FORMAT</b>
1/2.7"
<b>LENS</b>
<b>Focal length:</b> 3.3 mm
<b>Aperture:</b> f/1.1
Fixed focus
<b>NIGHT VISION</b>
Color night vision
Adaptive white light
<b>MINIMUM ILLUMINATION IN COLOR MODE</b>
<0.1lux
<b>FIELD OF VIEW</b>
110° horizontal
58° vertical
<b>MAXIMUM RESOLUTION &amp; FRAME RATE</b>
1920x1080, 30fps
<b>DYNAMIC RANGE</b>
Multi-exposure line-based HDR
<b>VIDEO COMPRESSION</b>
H.264
Motion JPEG
<b>AUDIO</b>
Microphone
Audio classification
<b>TEMPERATURE</b>
Typical Accuracy ±2.5°C (±4.5°F)
<b>RELATIVE HUMIDITY</b>
Typical Accuracy ±5%

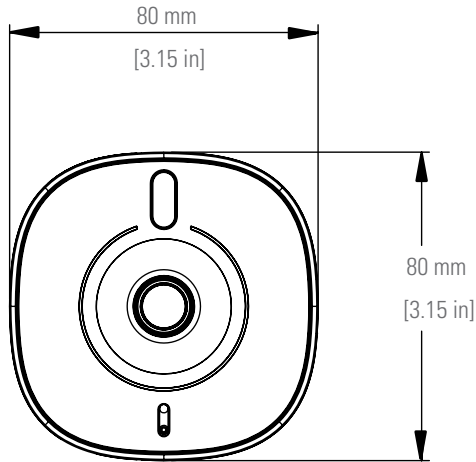
<b>SECURITY</b>
Trusted Platform Module (TPM 2.0)
Factory installed certificates
No default passwords
Mandatory access authentication
HTTPS/TLS encryption
<b>NETWORK PROTOCOLS</b>
IPv4, HTTPS, TLS, DNS, mDNS, DNS-SD, NTP, RTSP, RTP, RTCP, ICMP, DHCP, ARP
<b>Streaming:</b> RTP/UDP, RTP/RTSP/HTTPS/TCP
<b>POWER SOURCE</b>
PoE 802.3af or USB-C 1.5A
<b>POWER CONSUMPTION</b>
<b>Typical:</b> 3.5W
<b>Max:</b> 6W
<b>STORAGE</b>
MicroSD
SDXC High Speed
<b>CONNECTION</b>
802.3u 10/100 Ethernet
USB-C for preview and setup
<b>WIRELESS CONNECTION</b>
Wi-Fi 5 (IEEE 802.11a/b/g/n/ac)
Bluetooth 5.0
<b>INSTALLATION AID</b>
Suitable for ceiling and wall mount screws and wall plugs included ¼"-20
UNC Standardized camera mount thread
Compatible with Ava Drop Ceiling Mount
<b>ADJUSTMENT RANGE</b>
Pan
Tilt
Roll

<b>TEMPERATURE</b>
<b>Operating:</b> 0°C to +40°C
<b>Storage:</b> -40°C to +60°C
<b>PHYSICAL CHARACTERISTICS</b>
<b>Dimensions:</b> With Ball joint mount: 80 x 80 x 96 mm, 202 g
<b>Camera:</b> 80 x 80 x 38 mm, 142 g
<b>EMC</b>
EN 55032
2014/53/EU
BS EN 55032
SI 2017/1206
AS/NZS CISPR 32
FCC Part 15B
ICES-003 Issue 6
<b>SAFETY</b>
EN 62368
UL 62368
LVD

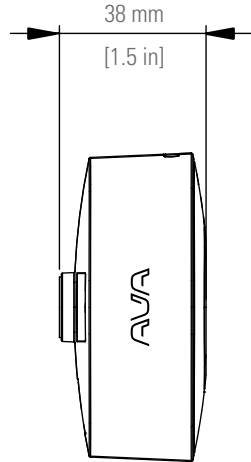
# TECHNICAL DRAWINGS

## Camera Housing

Front view

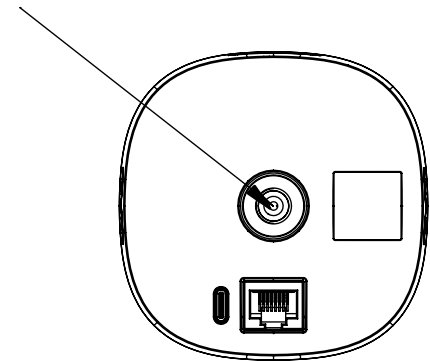


Side view



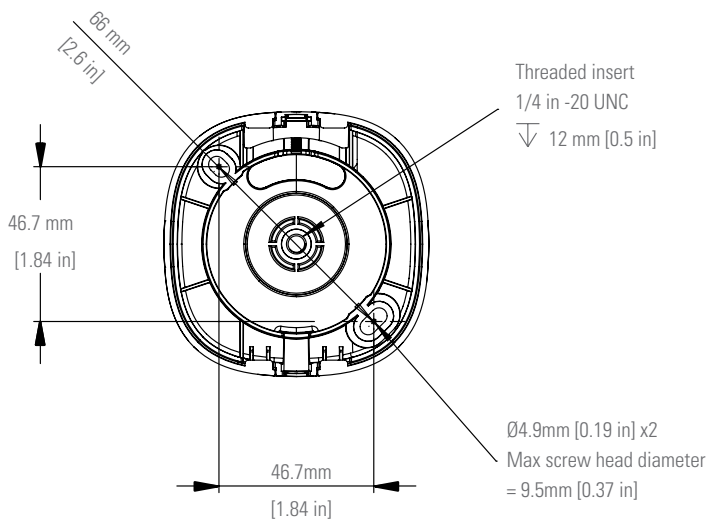
Rear view

Threaded insert  
1/4 in -20 UNC  $\nabla$  5 mm [0.23 in]



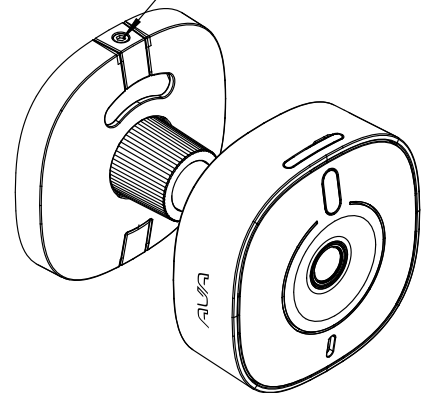
## Ball Joint Mount

Rear view

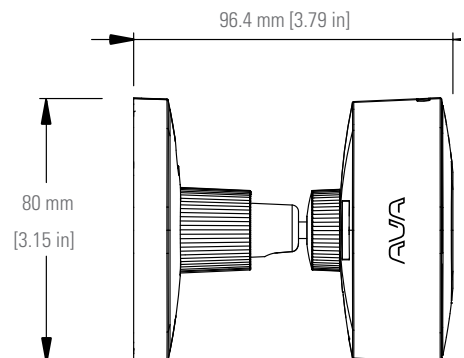


Front view

Lock screw  
Drive type Hex 2.5mm



Side view



# ORDERING INFORMATION

## AVIGILON AVA FLEX

PRODUCT ID	RETENTION	COLOR	DEPLOYMENT
FLEX-2MP-7	7 days*	White	Alta Aware Cloud

\*30 days cloud storage

## ACCESSORIES

PRODUCT ID	PRODUCT NAME	COLOR
ACC-DRO-CEI	<a href="#">Avigilon Ava Drop Ceiling Mount</a>	N/A
ACC-POE-15W-US ACC-POE-15W-UK ACC-POE-15W-EU	<a href="#">Avigilon Ava PoE Injector 15W</a>	Black

To learn more, visit:  
[www.avigilon.com](http://www.avigilon.com)



Motorola Solutions, Inc. 500 West Monroe Street, Chicago, IL 60661 U.S.A. [motorolasolutions.com](http://motorolasolutions.com)

© 2023, Avigilon Corporation. All rights reserved. MOTOROLA, MOTO, MOTOROLA SOLUTIONS and the Stylized M Logo are trademarks or registered trademarks of Motorola Trademark Holdings, LLC and are used under license. All other trademarks are the property of their respective owners. 09-2023 [DS02]