



AVIGILON™

AVA PENDANT CAP

Avigilon Alta Cloud Security

ACC-PEN-CAP-W | ACC-PEN-CAP-B



Avigilon Ava Pendant Cap

Use the Pendant Cap for mounting Avigilon Ava cameras to Avigilon Ava Mounting Arms (ACC-MNT-ARM) or other pendants like drop arms featuring a 1 ½" NPT female thread. The Pendant Cap orients the camera horizontally and features a drip edge which will prevent rain from disturbing the image in an outdoor installation. The horizontal camera orientation also helps shield against the sun.

SPECIFICATIONS

THREAD

1.5" NPT

MATERIAL

Aluminum alloy

SURFACE TREATMENT

Powder coat

COLOR

White, Black

WEIGHT

525 g

BOX DIMENSIONS

210x234x87mm

BOX WEIGHT

750 g

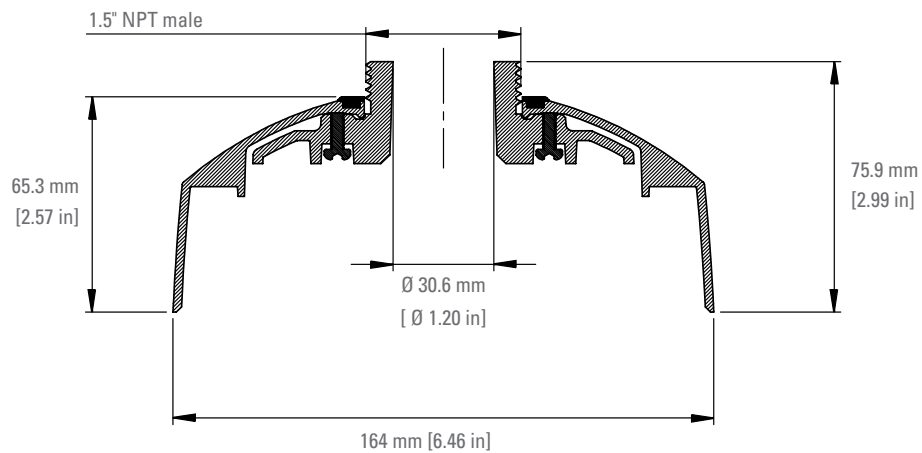
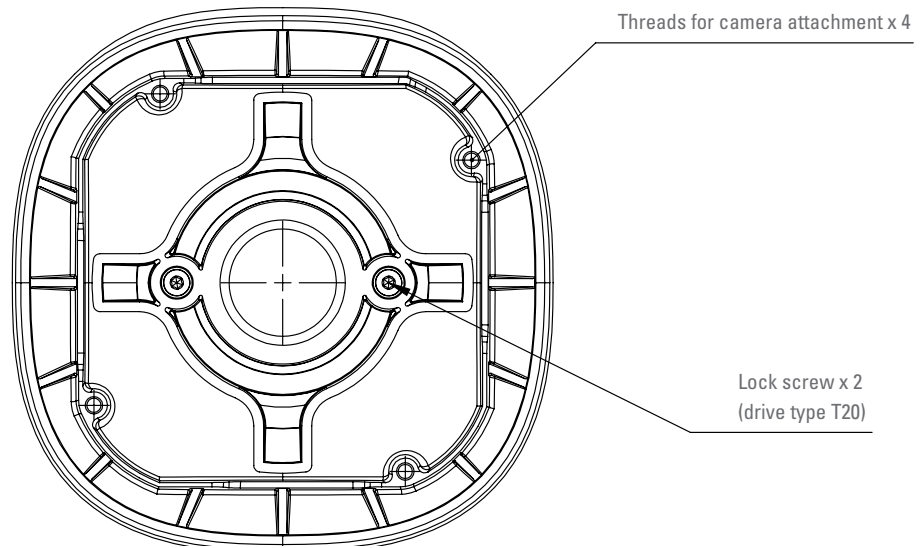
COMPATIBLE WITH

Avigilon Ava Dome Camera, Avigilon Ava 360 Camera, Avigilon Ava Mounting Arm, Avigilon Ava Pendant Pipe 40cm



MOTOROLA SOLUTIONS

TECHNICAL DRAWINGS



To learn more, visit:
www.avigilon.com



Motorola Solutions, Inc. 500 West Monroe Street, Chicago, IL 60661 U.S.A. motorolasolutions.com

© 2023, Avigilon Corporation. All rights reserved. MOTOROLA, MOTO, MOTOROLA SOLUTIONS and the Stylized M Logo are trademarks or registered trademarks of Motorola Trademark Holdings, LLC and are used under license. All other trademarks are the property of their respective owners. 09-2023 [DS02]