

AVIGILON™ AVA QUAD CAMERA

Avigilon Alta Cloud Security



The AI-powered Avigilon Ava Quad Camera for Alta Aware is equipped with four independent sensors to provide complete visibility. With up to 20MP resolution, 360° IR coverage and HDR for crisp, clear images, the Quad provides robust security indoors and out. On-camera storage and processing and cloud management minimize physical infrastructure, enabling plug and play configuration for fast deployments. Intelligent video and audio analytics help detect threats in real-time, and provide valuable insights to improve operations.



Multisensor security camera for flexible coverage



Built-in AI video and audio analytics and on-device storage



Easy to install and manage with simple onboarding



Factory-installed certificates backed by a trusted platform module (TPM)



Dynamic resolution up to 5MP on all four sensors



NDA-Compliant: designed and developed in Norway and the UK, manufactured in Taiwan



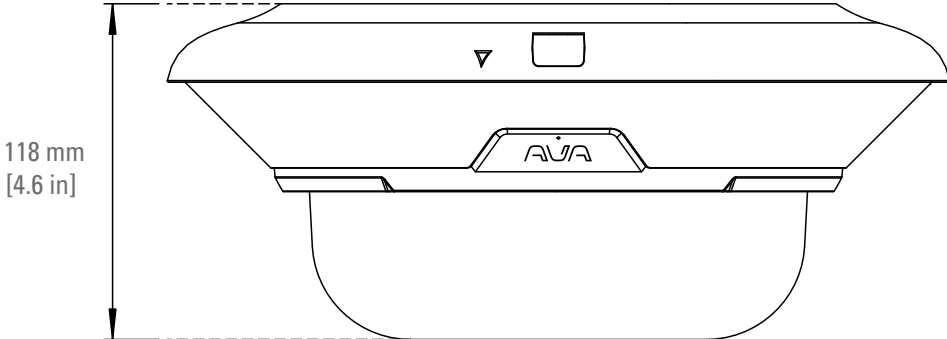
FEATURES

IMAGE SENSOR	SECURITY	PHYSICAL CHARACTERISTICS
4 x 5MP	Trusted Platform Module (TPM 2.0)	Dimensions: Ø 275x118 mm
IMAGE SENSOR SIZE FORMAT	Factory installed certificates	Weight: 2.7 kg
1/2.7"	No default passwords	Body: Aluminum
LENS	Mandatory access authentication	EMC
Focal length: 3.7 – 7.7 mm	HTTPS/TLS encryption	CE (EN55032 Class A)
Aperture: f/1.9-f/2.9	NETWORK PROTOCOLS	FCC (FCC Part 15 B Class A)
Remote zoom and focus	IPv4, HTTPS, TLS, DNS, mDNS, DNS-SD, NTP, RTSP, RTP, RTCP, ICMP, DHCP, ARP	SAFETY
P-iris	Streaming: RTP/UDP, RTP/RTSP/HTTPS/TCP	UL (UL 62368-1)
IR NIGHT VISION	POWER SOURCE	CB (IEC/ EN 62368-1, IEC/EN 60950-22, IEC/EN 62471)
Automatic night mode	IEEE 802.3at PoE Class 4 (PoE+)	NOM-019
IR-cut filter	POWER CONSUMPTION	NOM-019
Individually controlled IR LEDs	Max: 25.5W	IEC62471 (IR LED)
850 nm IR LED	STORAGE	
FIELD OF VIEW	MicroSD	
81° ~ 39° horizontal	SDXC UHS-I	
60° ~ 29° vertical	CONNECTION	
MAXIMUM RESOLUTION & FRAME RATE	802.3ab 10/100/1000 Gigabit Ethernet	
2592x1944@30fps per sensor	IMPACT RESISTANCE	
DYNAMIC RANGE	IK10 (IEC/EN 62262)	
Multi-exposure line-based HDR	INGRESS PROTECTION	
VIDEO COMPRESSION	IP66 (IEC/EN 60529)	
H.264	TEMPERATURE	
Motion JPEG	Storage & Operating: -40°C to +60°C*	
AUDIO	*IR not available > 50°C	
Microphone		
Audio classification		

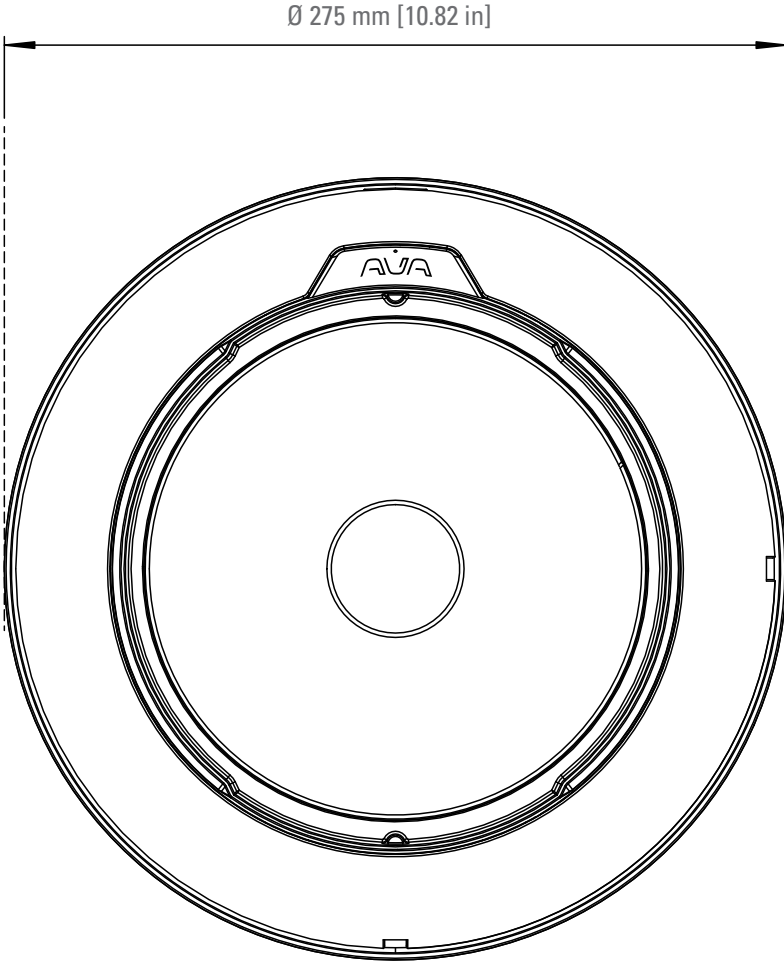
TECHNICAL DRAWINGS

Camera

Side view



Top view



ORDERING INFORMATION

AVIGILON AVA QUAD

PRODUCT ID	RESOLUTION	ONBOARD RETENTION
QUAD	4x 5MP	No. Cloud Connector required.
QUAD-20MP-30	4x 5MP	30 days

ACCESSORIES

PRODUCT ID	PRODUCT NAME	COLOR
ACQ-REC-KIT	Avigilon Ava Recessed Kit	White
ACQ-PEN-HEA	Avigilon Ava Pendant Head	White
ACQ-PEN-PIP	Avigilon Ava Pendant Pipe 40cm	White
ACQ-WAL-MNT	Avigilon Ava Wall Mount Bracket	White
ACQ-POL-MNT	Avigilon Ava Pole Bracket	White
ACQ-CRN-MNT	Avigilon Ava Corner Bracket	White
ACQ-MNT-ADA	Avigilon Ava Mounting Adapter	White

To learn more, visit:
www.avigilon.com



Motorola Solutions, Inc. 500 West Monroe Street, Chicago, IL 60661 U.S.A. motorolasolutions.com

© 2023, Avigilon Corporation. All rights reserved. MOTOROLA, MOTO, MOTOROLA SOLUTIONS and the Stylized M Logo are trademarks or registered trademarks of Motorola Trademark Holdings, LLC and are used under license. All other trademarks are the property of their respective owners. 09-2023 [DS02]