

AVIGILON™

AVA QUAD MOUNTING ADAPTER

Avigilon Alta Cloud Security

ACQ-MNT-ADA



Avigilon Ava Quad Mounting Adapter

For pendant installation of the Avigilon Ava Quad Camera.

SPECIFICATIONS

THREAD

1.5" PS Male

MATERIAL

Aluminum alloy

COLOR

White

WEIGHT

460 g

DIMENSIONS

Ø154 x 72mm

BOX DIMENSIONS

155 x 155 x 79mm

BOX WEIGHT

490g

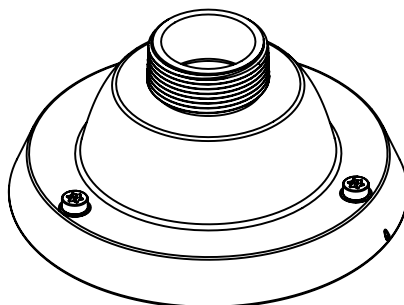
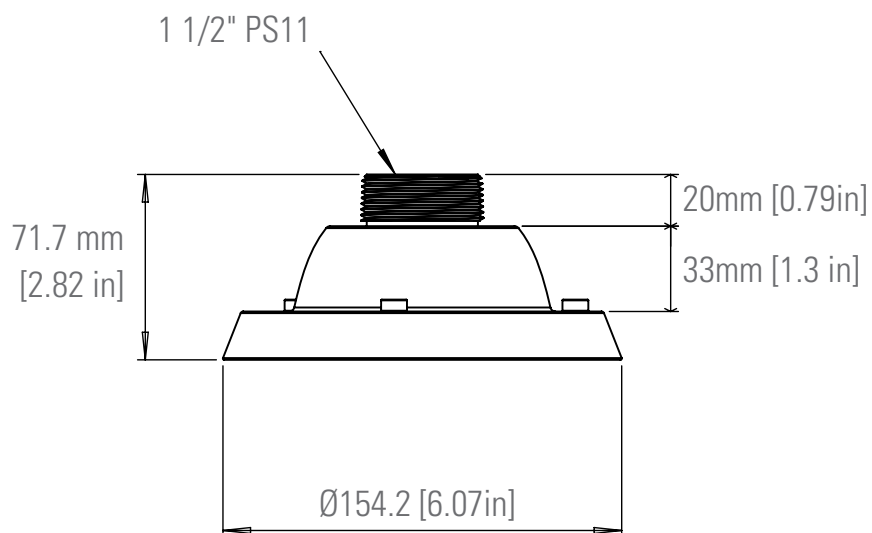
COMPATIBLE WITH

Avigilon Ava Pendant Pipe 40cm



MOTOROLA SOLUTIONS

TECHNICAL DRAWINGS



To learn more, visit:
www.avigilon.com



Motorola Solutions, Inc. 500 West Monroe Street, Chicago, IL 60661 U.S.A. motorolasolutions.com

© 2023, Avigilon Corporation. All rights reserved. MOTOROLA, MOTO, MOTOROLA SOLUTIONS and the Stylized M Logo are trademarks or registered trademarks of Motorola Trademark Holdings, LLC and are used under license. All other trademarks are the property of their respective owners. 09-2023 [DS02]