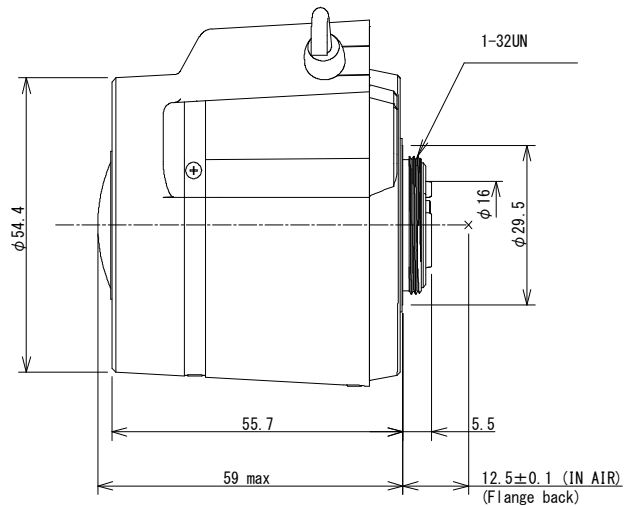
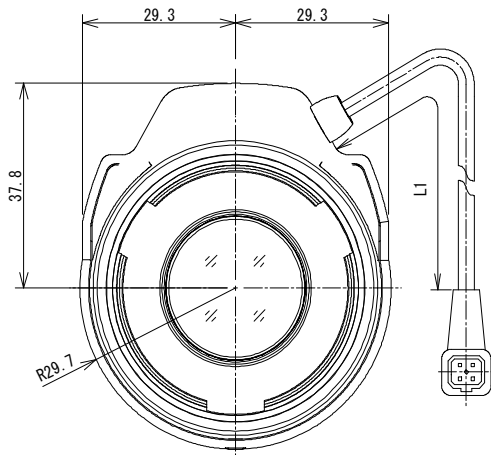


EG3Z3915TCS-MPWIR

3X 3.9mm-10mm F1.5 Day & Night
for 1/1.8 type 4K Cameras, Motorized Vari-focal, Stepping Motor Iris
i-CS Control (I²C)
CS-Mount

Model No.		EG3Z3915TCS-MPWIR		Effective	Front	φ 25mm	
Focal Length		3.9mm - 10mm		Lens Aperture	Rear	φ 10.0mm	
Max. Aperture Ratio		1:1.5		Back Focal Length	Tele	8.5mm	
Max. Image Format		7.1mm x 5.4mm(φ 8.9mm)			Wide	8.5mm	
Operation Range	Iris	F1.5 - F16C		Flange Back Length		12.5mm	
	Focus	0.8m - Inf.		Mount		CS-Mount	
	Zoom	3.9mm - 10mm		Filter Size		-	
Control	Iris	i-CS Control (I ² C)		Dimensions		φ 54.4 mm × 67.5 mm × 59 mm	
	Focus	i-CS Control (I ² C)		Weight		110g	
	Zoom	i-CS Control (I ² C)					
Angle of View	D	1/1.8 type	144.1° - 52.9°	1/2 type	124.8° - 47.5°	1/3 type	89.3° - 35.5°
	H		108.1° - 42.1°		96.0° - 37.9°		70.2° - 28.4°
	V		79.7° - 32.0°		70.2° - 28.4°		52.1° - 21.3°
Supply Voltage		DC3.3V		Operating Temperature		-10°C - +65°C	
Current		450mA MAX					

Dimensions



Wiring Diagram

