

Outdoor High Definition Small Camera Enclosure



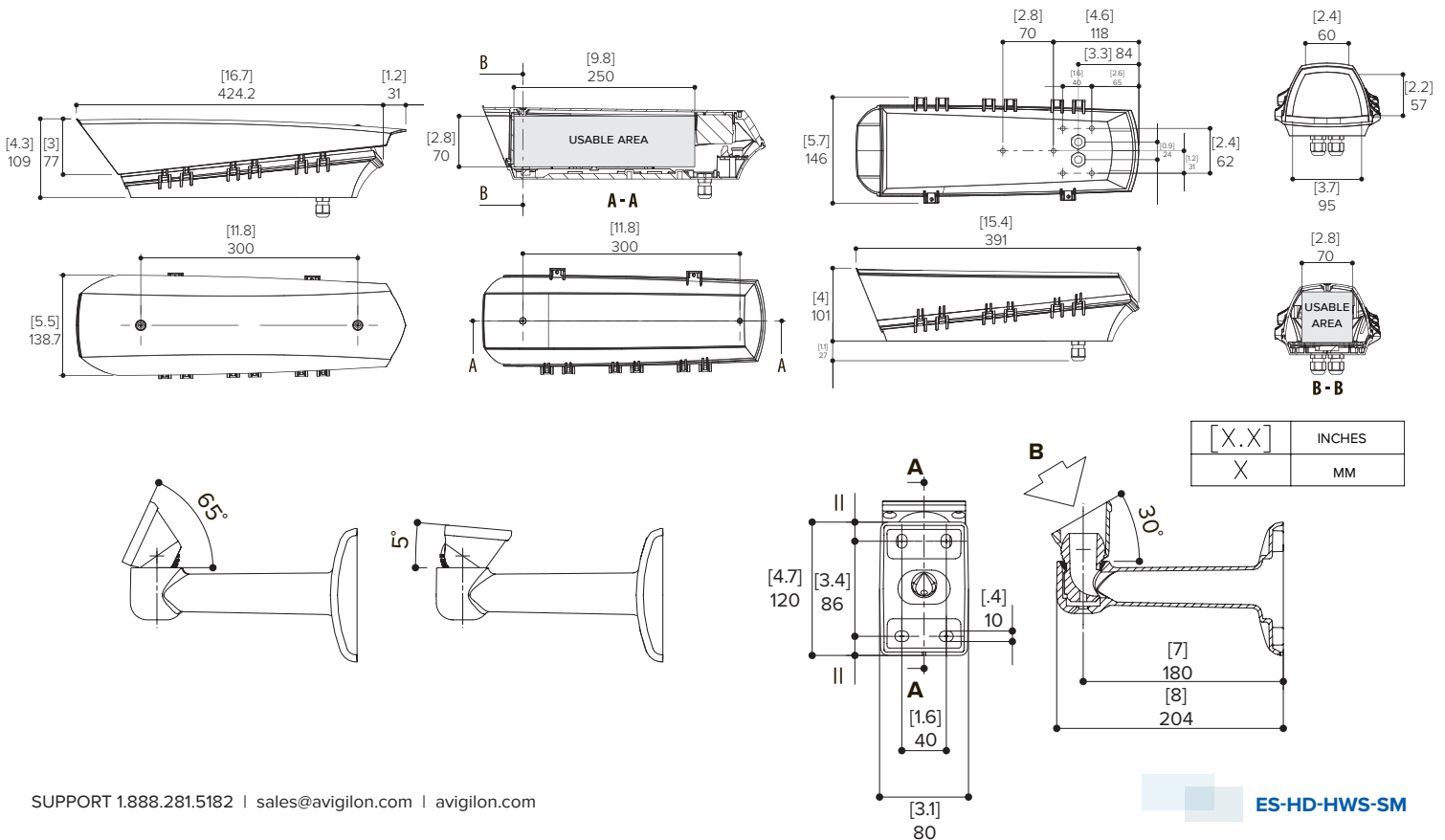
ACCESSORIES

The outdoor high definition camera enclosure ensures total protection against all environmental conditions. The side opening provides easy access to the camera and cables. Included with the enclosure is the cable-managed bracket and sunshield.

The enclosure is constructed from technopolymer and meets IP66 rating. The enclosure also uses neoprene rubber gaskets and sealing rings to ensure maximum weatherproofing.

KEY FEATURES

- Outdoor weatherproof enclosure for H.264 HD Cameras and HD Pro Cameras
- Glass window offers excellent image quality
- Includes cable managed bracket and sunshield
- IP66 rating
- Finished in RAL 9002 color



Specifications

MECHANICAL	Dimensions (W x H x L)	138.7 mm x 109 mm x 424.2 mm (5.5" x 4.3" x 16.7")
	Internal usable area (W x H x L):	70 mm x 70 mm x 250 mm (2.7" x 2.7" x 9.8")
	Weight:	0.8 kg (1.8 lbs)
	Window Material	Glass
	Finish	RAL 9002

ELECTRICAL	Power Consumption	4.8 W at 12 V DC 19.2 W at 24 V AC
	Power Source	VDC: 12 V VAC: 24 V

ENVIRONMENTAL	Supported Camera and Operating Temperature	H.264 HD cameras (H3-B): -17°C to 40°C (1.4°F to 104°F) H.264 HD PRO cameras (H4PRO-B): -17°C to 34°C (1.4°F to 93.2°F)
	Heater Operation	On: 15°C ±3°C (59°F ±5°F) Off: 22°C ±3°C (71°F ±5°F)

CERTIFICATIONS	Safety	CE EN 60950-1	EN50130-4 EN61000-6-3
	Environmental	Meets IP66 Weather Rating	

AVAILABLE ACCESSORIES	ES-HD-MNT-PAR	Parapet mounting arm
	ES-HD-MNT-POLE-LG	Large pole mount adapter
	ES-HD-MNT-POLE-MD	Medium pole mount dual camera adapter
	ES-HD-MNT-POLE-SM	Small pole mount dual camera adapter bracket
	ES-HD-MNT-ARM	Ceiling mounting arm
	ES-HD-MNT-CORNER	Corner mount adapter, compatible with supplied ball joint bracket
	ES-HD-MNT-PLATE	Reinforcing support wall plate, second camera mounting point for ES-HD-MNT-POLE-MD

ORDERING INFORMATION	ES-HD-HWS-SM	Outdoor, weatherproof small enclosure with heater
-----------------------------	--------------	---

