

Outdoor High Definition Camera Enclosure



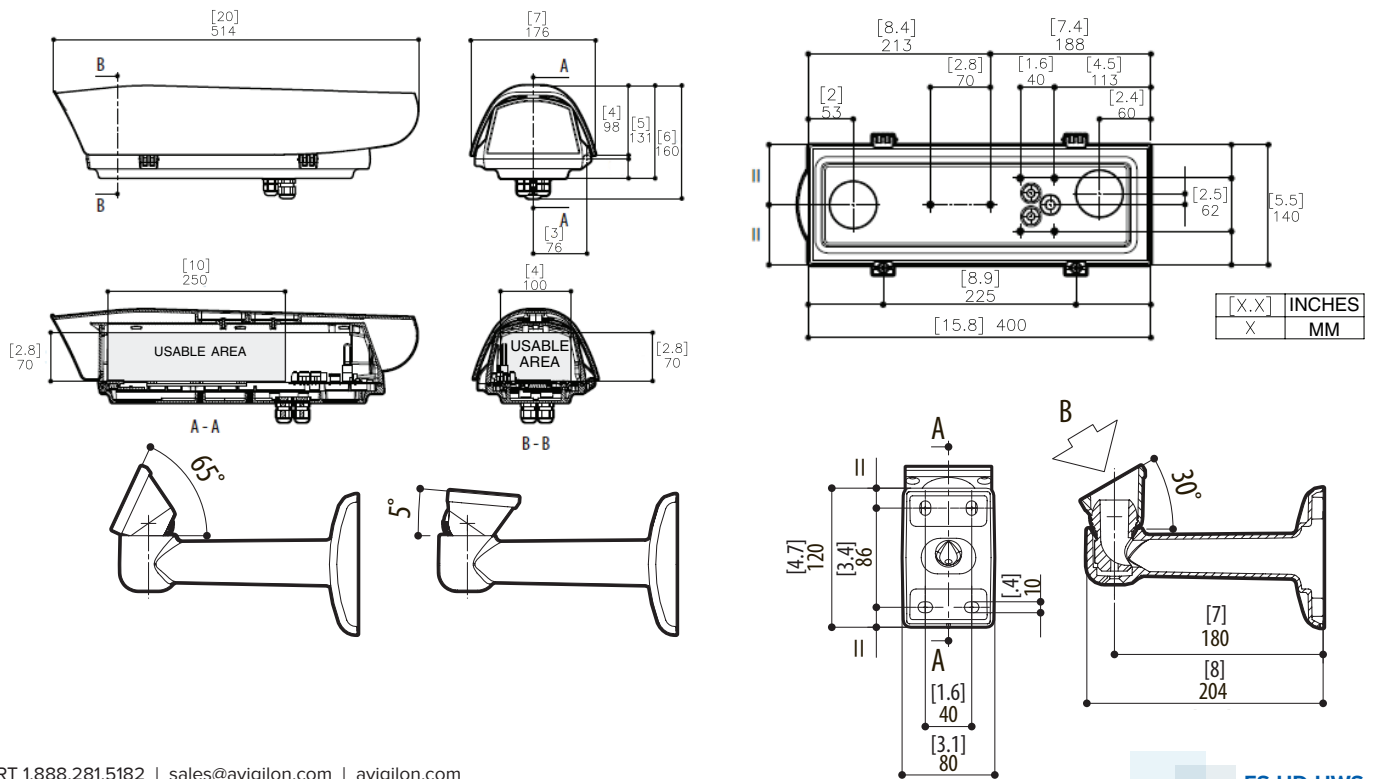
ACCESSORIES

ES-HD-HWS Outdoor, weatherproof enclosure for HD-DN and H3-B cameras

Cable-managed bracket and sunshield included		Resistant to 1000 hours of salt fog testing (according ISO9227)	
Internal usable area (W x H):	100 mm x 70 mm (4.6" x 2.7")	Power Consumption:	20 W
Internal usable length:	250 mm (9.8")	Power Source:	VDC: 12 V VAC: 24 V
Weight:	4.3 kg (9.5 lbs)	Operating Temperature:	-20 °C to +60 °C (-4 °F to +140 °F)
Window Material:	Glass	Heater Operation:	On: 15°C ±3°C (59°F ±5°F) Off: 22°C ±3°C (71°F ±5°F)
Certifications:	CE EN61000-6-3, EN60950-1, EN50130-4, IP66		
Finish:	RAL 9002		

The outdoor high definition camera enclosure ensures total protection against all environmental conditions. The side opening provides easy access to the camera and cables. Included with the enclosure is the cable-managed bracket and sunshield.

The enclosure is constructed from aluminum, and the sunshield is constructed from ABS plastic for strength and durability in all applications. The enclosure also uses neoprene-rubber gaskets and sealing rings to ensure maximum weatherproofing.



SUPPORT 1.888.281.5182 | sales@avigilon.com | avigilon.com

ES-HD-HWS