

HD Dome Cameras with Adaptive Video Analytics

AVIGILON

Avigilon's end-to-end surveillance solutions deliver image detail no other system can match. Avigilon Control Center software, featuring High Definition Stream Management (HDSM)[™] technology combined with our broad range of megapixel cameras (from 1 MP to 29 MP) provide unprecedented clarity—while effectively managing storage and bandwidth requirements. Our components are scalable and can work together in an end-to-end system, or can be customized to create your own powerful and cost-effective solution.

The innovative HD dome cameras are just one way Avigilon can help provide the very best monitoring and protection.



The HD dome camera with adaptive video analytics brings together Avigilon's world renowned camera technology with video analytics. The combination of instant and accurate object detection and classification alerts, with the identification performance of high-definition video, provides users with an unmatched level of perimeter protection to keep both personnel and assets safe.

The HD dome camera is a great solution for monitoring both daytime and nighttime outdoor activities. It features an integrated lens for remote focus and zoom control with excellent low light performance. P-Iris control also allows the camera to automatically set its iris position to maximize image quality in all lighting conditions, while onboard storage capabilities let you manage storage directly on the camera using a standard SD memory card.

KEY FEATURES

| |
|---|
| Advanced video pattern detection analytics |
| Available with 3-9 mm or 9-22 mm P-Iris lens with remote focus and zoom |
| Up to 30 images per second |
| Wide Dynamic Range |
| SD card slot for onboard storage support |
| H.264 and Motion JPEG compression |
| Zoom and content adaptive integrated IR (Infrared) LEDs provide uniform illumination in the dark, even at 0 lux, up to a maximum of 15 m (50 ft) away |
| Power over Ethernet, 24 VAC or 12 VDC power input |
| Vandal resistant construction and IP66 compliant |
| ONVIF compliant with version 2.2.0 of the Analytics Service Specification |

Specifications

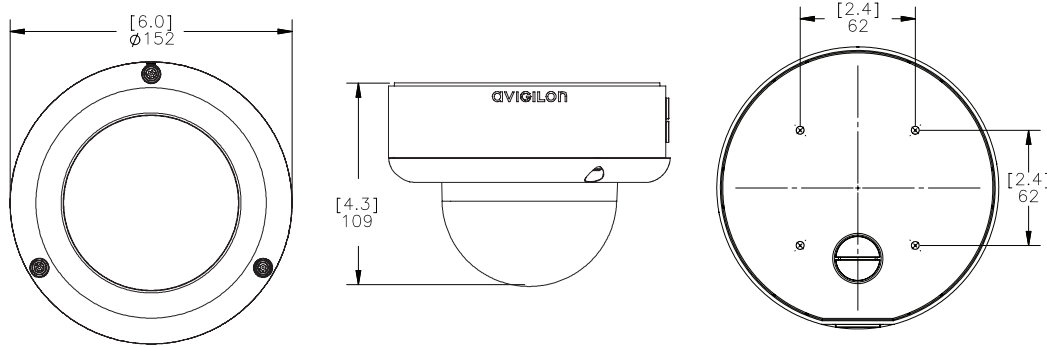
HD VIDEO ANALYTICS CAMERA

| | | | | | | | | |
|--------------------------------|--|---|---|--------------|---|--|---------------------|--------------|
| VIDEO ANALYTICS SUPPORT | Advanced Video Pattern Detection | | | | | | | |
| VIDEO ANALYTICS RULES | People or vehicle moving in an area | | People or vehicle crossing a beam | | People or vehicle loitering in an area | | | |
| | Person or vehicle stopped | | Dwell time | | Person or vehicle enters/leaves an area | | | |
| | Person or vehicle moving in a prohibited direction of travel | | Too many or too few persons in a secured area | | | | | |
| IMAGE PERFORMANCE | | | 1.0 MP | | 2.0 MP | | 3.0 MP | |
| | Image Sensor | | 1/2.7" progressive scan CMOS | | | WDR 1/3" progressive scan CMOS | | |
| | Active Pixels | | 1280 (H) x 720 (V) | | 1920 (H) x 1080 (V) | | 2048 (H) x 1536 (V) | |
| | Imaging Area | | 5.9 mm (H) x 3.3 mm (V); 0.231" (H) x 0.129" (V) | | | 4.5 mm (H) x 3.4 mm (V); 0.177" (H) x 0.133" (V) | | |
| | Minimum Illumination | 3-9 mm lens: | 0.2 lux (F1.2) in color mode; 0.02 lux (F1.2) in monochrome mode | | | | | |
| | | 9-22 mm lens: | 0.4 lux (F1.6) in color mode; 0.04 lux (F1.6) in monochrome mode | | | | | |
| | Dynamic Range | | 69 dB | | | 100 dB | | |
| Image Rate | | 30 fps (all resolutions) | | | 20 fps (at full resolution); 30 fps (at 1920 x 1080 or smaller) | | | |
| Resolution Scaling | | Down to 768 x 432 | | | Down to 480 x 360 | | | |
| LENS | Lens | | 3-9 mm, F1.2, P-Iris, remote focus and zoom | | | | | |
| | | | 9-22 mm, F1.6, P-Iris, remote focus and zoom | | | | | |
| | Angle of View | 3-9 mm lens: | 35° - 98° | | | 28° - 84° | | |
| 9-22 mm lens: | | 15° - 35° | | | 12° - 28° | | | |
| IMAGE CONTROL | Image Compression Method | | H.264 (MPEG-4 Part 10/AVC), Motion JPEG | | | | | |
| | Streaming | | Multi-stream H.264 and Motion JPEG | | | | | |
| | Motion Detection | | Pixel and classified objects | | | | | |
| | Camera Tampering Detection | | Yes | | | | | |
| | Electronic Shutter Control | | Automatic, Manual (1/6 to 1/8000 sec) | | | | | |
| | Iris Control | | Automatic, Manual | | | | | |
| | Day/Night Control | | Automatic, Manual | | | | | |
| | Flicker Control | | 50 Hz, 60 Hz | | | | | |
| | White Balance | | Automatic, Manual | | | | | |
| | Backlight Compensation | | Adjustable | | | | | |
| | Privacy Zones | | Up to 64 zones | | | | | |
| | Audio Compression Method | | G.711 PCM 8 kHz | | | | | |
| | Audio Input/Output | | Line level input and output, A/V mini-jack (3.5 mm) | | | | | |
| | Video Output | | (1MP and 2MP only) NTSC/PAL, A/V mini-jack (3.5 mm) | | | | | |
| | External I/O Terminals | | Alarm In, Alarm Out | | | | | |
| | IR Illumination (option) | | 850 nm wavelength, 15 m (50 ft) max. distance of IR illumination at 0 lux | | | | | |
| | NETWORK | Network | | 100BASE-TX | | | | |
| Cabling Type | | CAT5 | | | | | | |
| Connector | | RJ-45 | | | | | | |
| ONVIF | | ONVIF compliant with version 1.02, 2.00, Profile S and 2.2.0 of the Analytics Service Specification (*bounding boxes and scene descriptions not available with third-party VMS) | | | | | | |
| Security | | Password protection, HTTPS encryption, digest authentication, WS authentication, user access log, 802.1x port based authentication | | | | | | |
| Protocol | | IPv4, HTTP, HTTPS, SOAP, DNS, NTP, RTSP, RTCP, RTP, TCP, UDP, IGMP, ICMP, DHCP, Zeroconf, ARP | | | | | | |
| Streaming Protocols | | RTP/UDP, RTP/UDP multicast, RTP/RTSP/TCP, RTP/RTSP/HTTP/TCP, RTP/RTSP/HTTPS/TCP, HTTP | | | | | | |
| MECHANICAL | | | SURFACE MOUNT OUTDOOR DOME CAMERA | | | PENDANT DOME CAMERA | | |
| | Dimensions (ØxH) | | 152 mm x 109 mm; 6.0" x 4.3" | | | 167 mm x 157 mm; 6.6" x 6.2" | | |
| | Weight | | 1.28 kg (2.82 lbs) | | | 2.1 kg (4.6 lbs) | | |
| | Dome Bubble | | Polycarbonate, clear | | | | | |
| | Body | | Aluminum | | | | | |
| | Housing | | Surface mount, vandal resistant | | | Pendant mount, vandal resistant | | |
| | Finish | | Powder coat, cool gray 2 | | | | | |
| | Adjustment Range | | 360° pan, 180° tilt (122° tilt with -IR option), 180° azimuth | | | | | |
| ELECTRICAL | Onboard Storage | | SD/SDHC/SDXC slot – minimum class 4; class 6 or better recommended | | | | | |
| | Power Consumption | | 9 W (10 W for -IR option) | | | | | |
| | Power Source | | VDC: 12 V +/- 10%, 9 W min (10 W min with -IR option) VAC: 24 V +/- 10%, 12 VA min (13 VA min with -IR option) | | | PoE: IEEE802.3af Class 3 compliant | | |
| | Power Connector | | 2-pin terminal block | | | | | |
| ENVIRONMENTAL | Operating Temperature | | -30 °C to +50 °C (-22 °F to 122 °F) | | | | | |
| | Storage Temperature | | -40 °C to +70 °C (-40 °F to 158 °F) | | | | | |
| CERTIFICATIONS | Safety | | UL 60950 | CSA 60950 | EN 60950-1 | CE | ROHS | WEEE |
| | Environmental | | IK10 Impact Rating | | Meets IP66 Weather Rating | | | |
| | Electromagnetic Emissions | | FCC Part 15 Subpart B Class B | | IC ICES-003 Class B | | EN 55022 Class B | |
| | Electromagnetic Immunity | | EN 55024 | EN 61000-4-2 | EN 61000-4-3 | EN 61000-4-4 | EN 61000-4-5 | EN 61000-4-6 |

Outline Dimensions

Surface Mount Outdoor Dome Camera

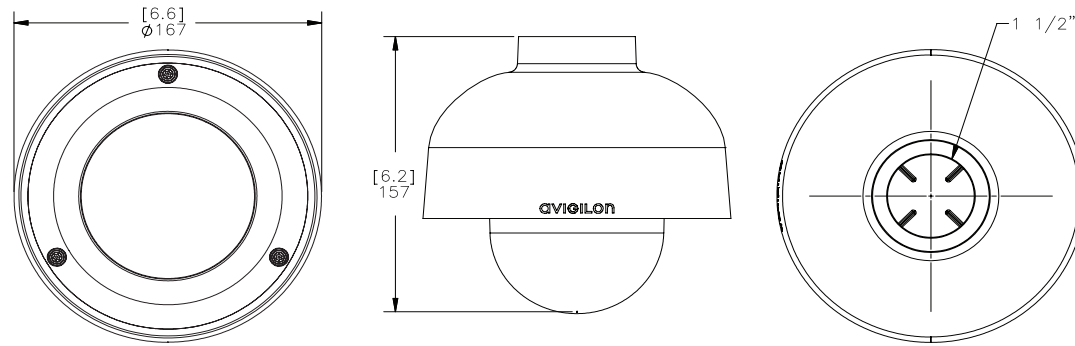
(H3A-DO)



| [X.X] | INCHES |
|-------|--------|
| X | MM |

Pendant Dome Camera

(H3A-DP)



Ordering Information

SURFACE MOUNT OUTDOOR DOME CAMERAS

| | |
|-----------------|--|
| 1.0-H3A-DO1 | 1.0 Megapixel Day/Night H.264 HD 3-9 mm Outdoor Dome Camera with Adaptive Video Analytics |
| 1.0-H3A-DO1-IR | 1.0 Megapixel Day/Night H.264 HD 3-9 mm Outdoor Dome Camera with IR Illuminator and Adaptive Video Analytics |
| 1.0-H3A-DO2 | 1.0 Megapixel Day/Night H.264 HD 9-22 mm Outdoor Dome Camera with Adaptive Video Analytics |
| 2.0-H3A-DO1 | 2.0 Megapixel Day/Night H.264 HD 3-9 mm Outdoor Dome Camera with Adaptive Video Analytics |
| 2.0-H3A-DO1-IR | 2.0 Megapixel Day/Night H.264 HD 3-9 mm Outdoor Dome Camera with IR Illuminator and Adaptive Video Analytics |
| 2.0-H3A-DO2 | 2.0 Megapixel Day/Night H.264 HD 9-22 mm Outdoor Dome Camera with Adaptive Video Analytics |
| 3.0W-H3A-DO1 | 3.0 Megapixel WDR Day/Night H.264 HD 3-9 mm Outdoor Dome Camera with Adaptive Video Analytics |
| 3.0W-H3A-DO1-IR | 3.0 Megapixel WDR Day/Night H.264 HD 3-9 mm Outdoor Dome Camera with IR Illuminator and Adaptive Video Analytics |
| 3.0W-H3A-DO2 | 3.0 Megapixel WDR Day/Night H.264 HD 9-22 mm Outdoor Dome Camera with Adaptive Video Analytics |
| H3-DOP-SMOKE | Dome Camera Cover with Smoked Bubble |

PENDANT DOME CAMERAS

| | |
|---------------|---|
| 1.0-H3A-DP1 | 1.0 Megapixel Day/Night H.264 HD 3-9mm Pendant Dome Camera with Adaptive Video Analytics |
| 1.0-H3A-DP2 | 1.0 Megapixel Day/Night H.264 HD 9-22mm Pendant Dome Camera with Adaptive Video Analytics |
| 2.0-H3A-DP1 | 2.0 Megapixel Day/Night H.264 HD 3-9mm Pendant Dome Camera with Adaptive Video Analytics |
| 2.0-H3A-DP2 | 2.0 Megapixel Day/Night H.264 HD 9-22mm Pendant Dome Camera with Adaptive Video Analytics |
| 3.0W-H3A-DP1 | 3.0 Megapixel WDR Day/Night H.264 HD 3-9mm Pendant Dome Camera with Adaptive Video Analytics |
| 3.0W-H3A-DP2 | 3.0 Megapixel WDR Day/Night H.264 HD 9-22mm Pendant Dome Camera with Adaptive Video Analytics |
| H3-DOP-SMOKE | Dome Camera Cover with Smoked Bubble |
| MNT-PEND-WALL | Indoor/Outdoor Pendant Mount Bracket |