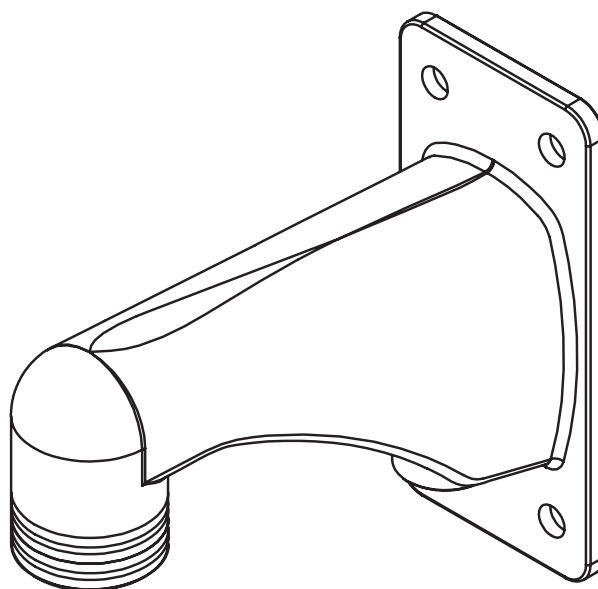


Indoor/Outdoor Pendant Mount Bracket

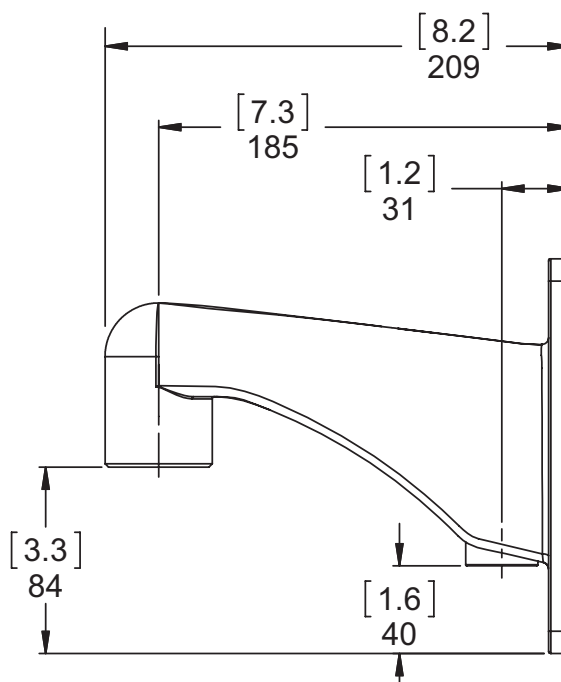
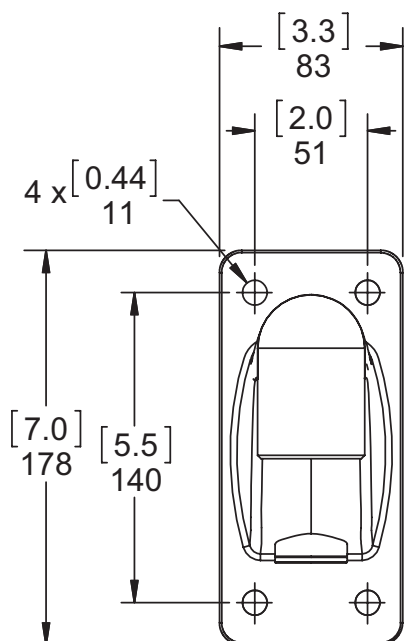


MNT-PEND-WALL

Pendant wall bracket for dome cameras

Weight: 0.7 kg (1.5 lbs)

- Male 1-1/2" NPT camera connection
- Female 3/4" NPT conduit entry
- Creates outdoor seal with compatible dome cameras that meets IP66 standards



[X.X]	INCHES
X	MM

Specifications subject to change without notice. V1.1
©2012 Avigilon Corporation. All rights reserved.

Trademarks and registered trademarks are the property of their respective owners.