

Installing the ES Rack Mount

The Avigilon Edge Solution (ES) rack mount is designed to hold a combination of ACC™ ES HD Recorder, ACC ES Analytics Appliance and Avigilon H.264 Analog Video Encoders to fit your solution. The rack mount can fit up to four devices in the following combinations:

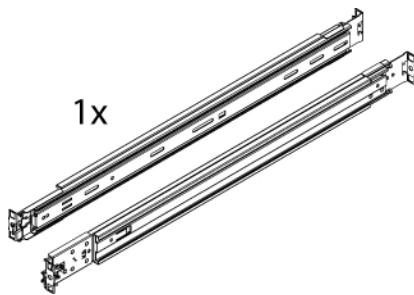
- 1 x recorder or appliance, plus up to 3 encoders.
- 2 x recorder or appliance, plus up to 2 encoders.

<i>Package Contents</i>	1
<i>Mounting One ES Unit</i>	3
<i>Mounting Two ES Units</i>	6
<i>Mounting the Power Supply</i>	8
<i>Mounting the Encoders</i>	9

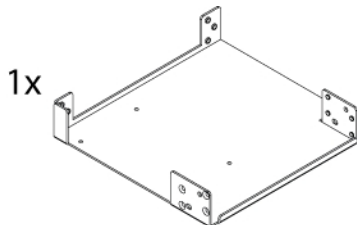
Package Contents

Confirm that the package contains the following components:

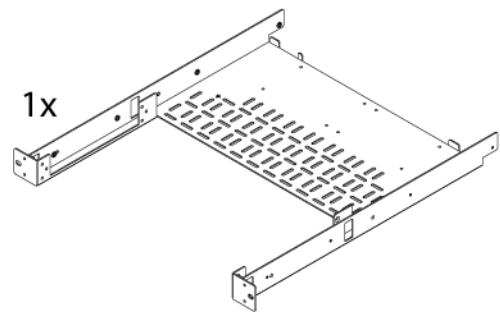
- 1 x pair of rack mount rails



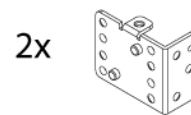
- 1 x shelf extension



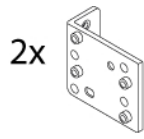
- 1 x shelf



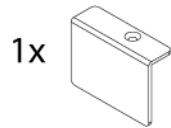
- 2 x right mount brackets



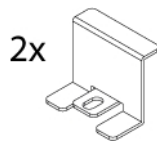
- 2 x left mount brackets



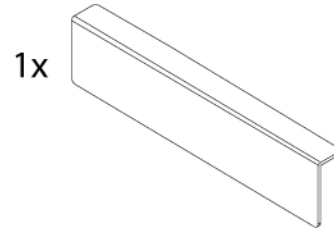
- 1 x encoder cover



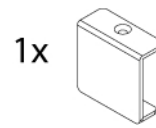
- 2 x power supply brackets



- 1 x front faceplate



- 1 x dual unit cover

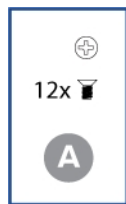


- 2 x handles



Screws for assembling the parts together

- 12 x screws for the encoder and the front faceplate



- 2 x screws for the power supply brackets



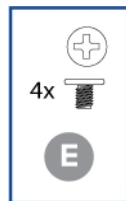
- 33 x M4 5mm Phillips screws for shelf extension brackets and covers



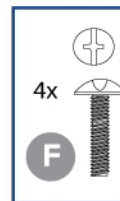
- 8 x screws to attach rails to shelf



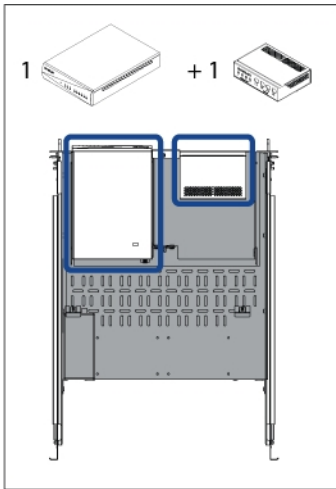
- 4 x #6-32 5mm Phillips screws for the handle



- 4 x screws to attach rails to rack



Mounting One ES Unit

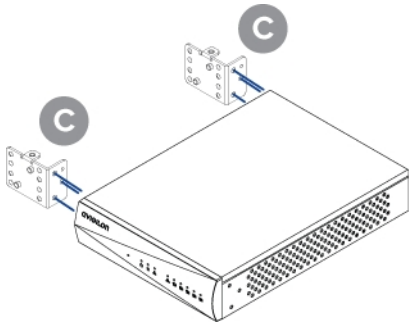


If you are only installing one recorder or appliance, you must install the unit with the shelf extension.

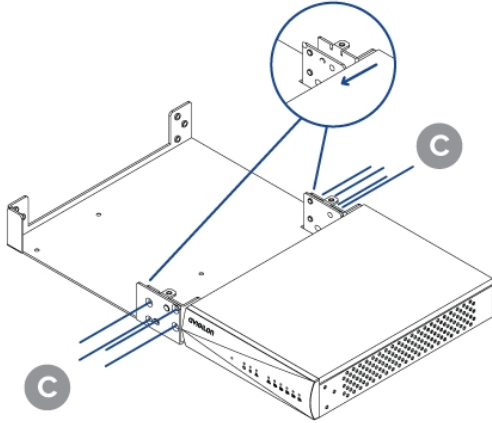
Be aware that the ES unit can only be installed at the front of the shelf mount.

1. Attach the right mount brackets to the *left* side of the unit. On the shelf mount, the unit will be on the right side.

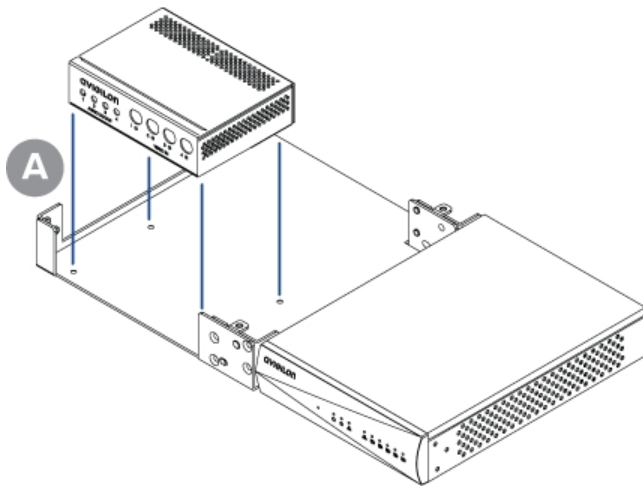
Screw the brackets directly on to the unit.



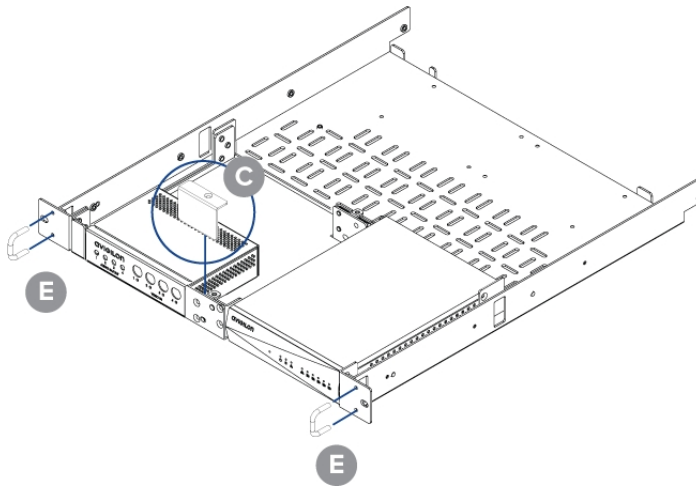
2. Align the extension shelf with the right mount brackets then screw them together.



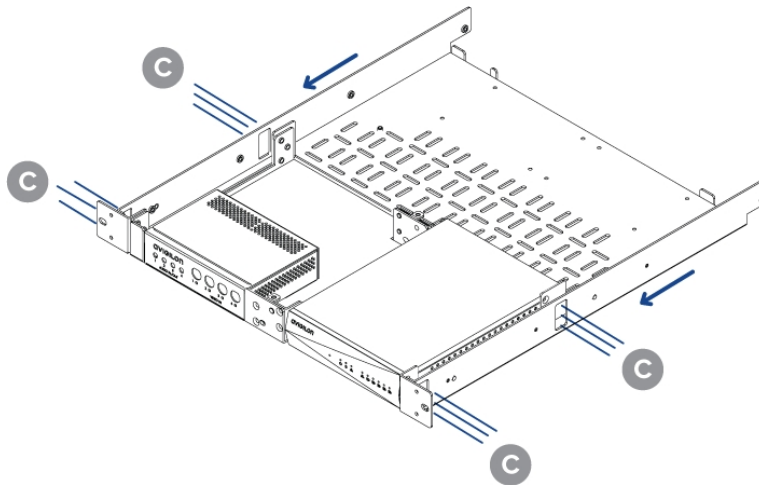
3. If you are installing an encoder beside the ES unit, complete the following steps:



- a. Place the encoder in the empty spot to the left of the ES unit.
- b. From under the shelf mount, screw the encoder into place.
- c. Install the encoder cover over the front of the encoder.

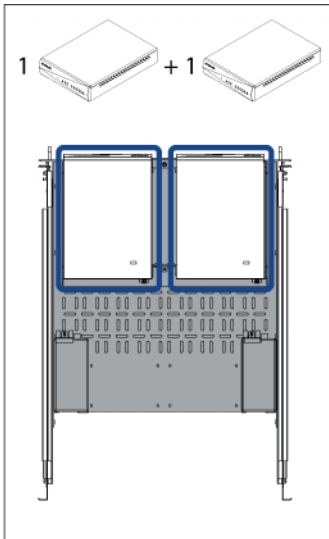


4. If you are not mounting an encoder to the front of the shelf mount, install the front faceplate:
 - a. Place the front faceplate over the opening to the left of the ES unit.
 - b. Screw the front faceplate into place.
5. Slide assembled pieces into the front of the shelf mount.



6. On the right side of the unit, screw the unit to the shelf.

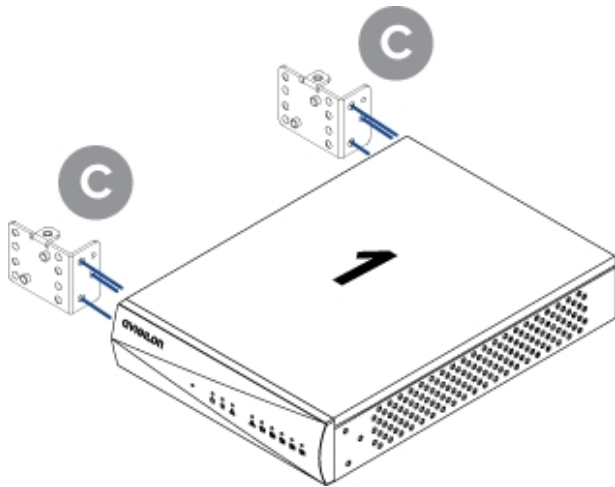
Mounting Two ES Units



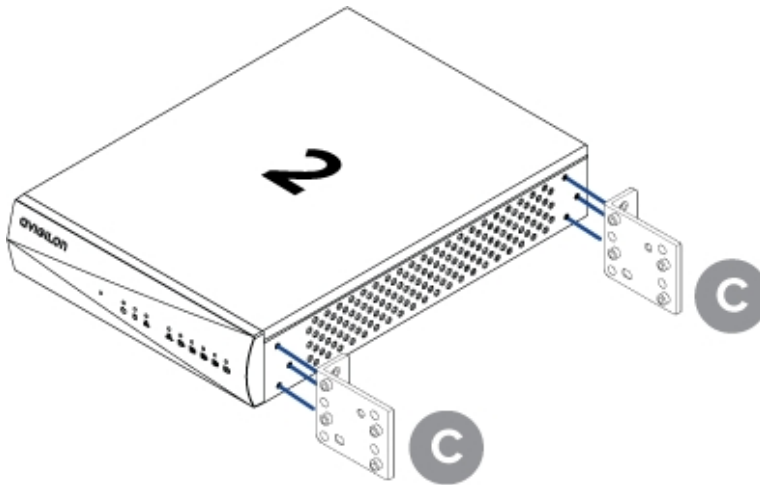
If you are installing two recorder or appliance, you must install both units at the front of the shelf mount.

1. On the first ES unit, attach the right mount brackets to the *left* side of the unit. On the shelf mount, the first unit will be on the right side.

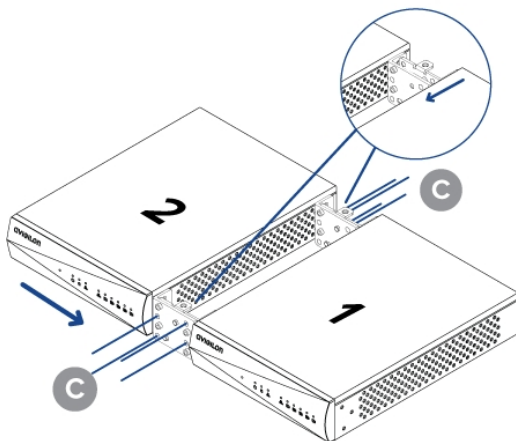
Screw the brackets directly on to the unit.



2. On the second ES unit, attach the left mount brackets to the *right* side of the unit. On the shelf mount, the second unit will be on the left side.

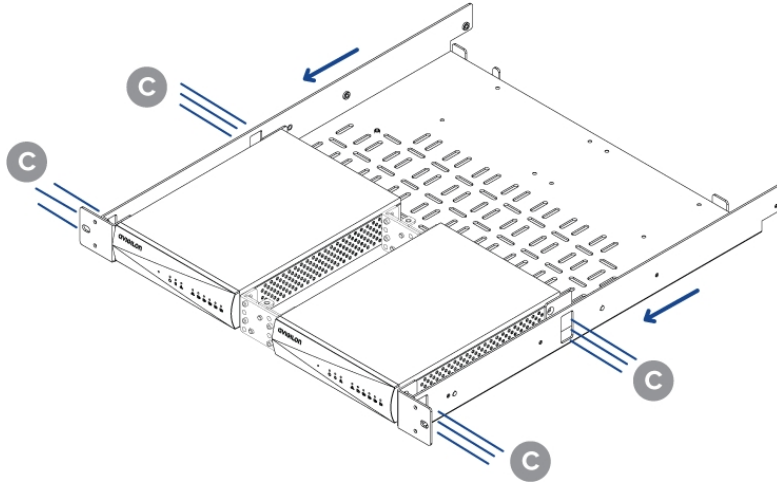


3. Line up the brackets so that they overlap. The brackets on the left unit should be in front.

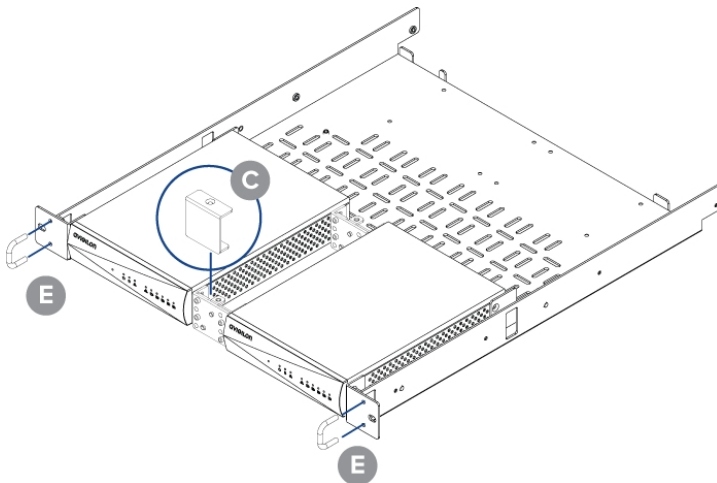


4. Screw the brackets together. The screws should be flush.
 - Screw front brackets together from the front.
 - Screw the back brackets together from the back.

- Slide assembled units into the front of the shelf mount.

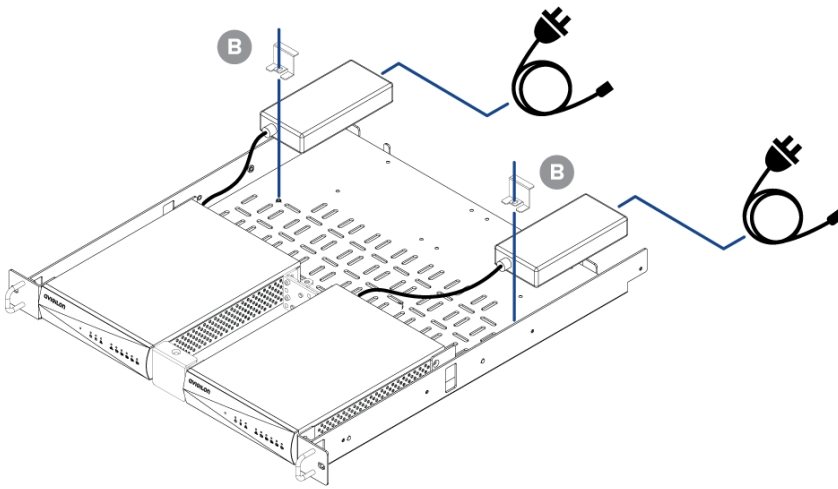


- From the sides of the shelf mount, screw the units to the shelf.
- Screw the dual unit cover over the front brackets between the two units.



Mounting the Power Supply

Depending on the number of ES units that you are installing, you could be mounting one or two power supplies to the rack mount.

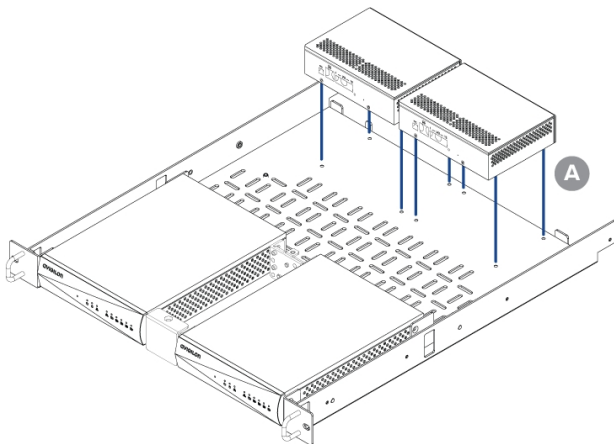


1. Place the first (or only) power supply to the back right corner of the shelf. The long side of the power supply should be flush against the right side.
2. Place one of the power supply brackets over the power supply and the silver mounting hole.
3. Screw the bracket into place. The power supply should now be held in place.
4. Repeat the previous steps for the second power supply.

The second power supply should be placed in the same location on the back left corner of the shelf.

Mounting the Encoders

The shelf mount has space for two encoders on the back of the rack.



1. Place an encoder on the back of the shelf. The front of the encoder should be facing the back.
2. From under the shelf, screw the encoder into place.
3. Place the second encoder beside the installed encoder and screw it into place.

© 2017, Avigilon Corporation. All rights reserved. AVIGILON, Avigilon logo, ACC and TRUSTED SECURITY SOLUTIONS are registered trademarks of Avigilon Corporation. Avigilon Corporation protects its innovations with patents issued in the United States of America and other jurisdictions worldwide: <http://www.avigilon.com/patents>. Unless stated explicitly and in writing, no license is granted with respect to any copyright, industrial design, trademark, patent or other intellectual property rights of Avigilon Corporation or its licensors.

Avigilon Corporation
<http://www.avigilon.com>
PDF-4PRACK-A
Revision: 1 - EN
20170119