

Installation Guide

Avigilon™ H4 HD Dome Camera Models:

H4A-DC1, H4A-DC2

Important Safety Information

This manual provides installation and operation information and precautions for the use of this camera. Incorrect installation could cause an unexpected fault. Before installing this equipment read this manual carefully. Please provide this manual to the owner of the equipment for future use.



The Warning symbol indicates the presence of dangerous voltage within and outside the product enclosure that may constitute a risk of electric shock, serious injury or death to persons if proper precautions are not followed.



The Caution symbol alerts the user to the presence of hazards that may cause minor or moderate injury to persons, damage to property or damage to the product itself if proper precautions are not followed.



WARNING — Failure to observe the following instructions may result in severe injury or death.

- Do not use near water or expose to dripping or splashing.
- Do not place objects filled with liquids above the device.
- Do not expose to rain or moisture.
- For indoor use only.
- If used outdoors, an approved outdoor mounting adapter or enclosure is required. Consult with Avigilon for more information.
- Installation must be performed by qualified personnel only, and must conform to all local codes.
- This product is intended to be supplied by a UL Listed Power Unit marked “Class 2” or “LPS” or “Limited Power Source” with output rated 12 VDC or 24 VAC, 7 W min. or Power over Ethernet (PoE), rated 48 VDC, 7 W min.
- Any external power supply connected to this product may only be connected to another Avigilon product of the same model series. External power connections must be properly insulated.
- Do not connect directly to mains power for any reason.



CAUTION — Failure to observe the following instructions may result in injury or damage to the camera.

- Do not install near any heat sources such as radiators, heat registers, stoves, or other sources of heat.
- Do not subject the cables to excessive stress, heavy loads or pinching.
- Do not open or disassemble the device. There are no user serviceable parts.
- Refer all servicing to qualified personnel. Servicing may be required when the device has been damaged (such as from a liquid spill or fallen objects), has been exposed to rain or moisture, does not operate normally, or has been dropped.
- Do not use strong or abrasive detergents when cleaning the device body.
- Use only accessories recommended by Avigilon.

Regulatory Notices

This device complies with part 15 of the FCC Rules. Operation is subject to the following two conditions: (1) this device may not cause harmful interference, and (2) this device must accept any interference received, including interference that may cause undesired operation.

This Class B digital apparatus complies with Canadian ICES-003.

FCC Notice

This equipment has been tested and found to comply with the limits for a Class B digital device, pursuant to Part 15 of the FCC rules. These limits are designed to provide reasonable protection against harmful interference in a residential installation. This equipment generates, uses and can radiate radio frequency energy and, if not installed and used in accordance with the instructions, may cause harmful interference to radio communications. However, there is no guarantee that interference will not occur in a particular installation. If this equipment does cause harmful interference to radio or television reception, which can be determined by turning the equipment off and on, the user is encouraged to try to correct the interference by one or more of the following measures:

- Reorient or relocate the receiving antenna.
- Increase the separation between the equipment and the receiver.
- Connect the equipment into an outlet on a circuit different from that to which the receiver is connected.
- Consult the dealer or an experienced radio/TV technician for help.

Changes or modifications made to this equipment not expressly approved by Avigilon Corporation or parties authorized by Avigilon Corporation could void the user's authority to operate this equipment.

Disposal and Recycling Information

When this product has reached the end of its useful life, please dispose of it according to your local environmental laws and guidelines.

Risk of fire, explosion, and burns. Do not disassemble, crush, heat above 100 °C (212 °F), or incinerate.

European Union:



This symbol means that according to local laws and regulations your product should be disposed of separately from household waste. When this product reaches its end of life, take it to a collection point designated by local authorities. Some collection points accept products for free. The separate collection and recycling of your product at the time of disposal will help conserve natural resources and ensure that it is recycled in a manner that protects human health and the environment.

Legal Notices

© 2017, Avigilon Corporation. All rights reserved. AVIGILON, the AVIGILON logo, AVIGILON CONTROL CENTER, ACC, and TRUSTED SECURITY SOLUTIONS are trademarks of Avigilon Corporation. Other names mentioned herein may be the trademarks of their respective owners. The absence of the symbols ™ and ® in proximity to each trademark in this document is not a disclaimer of ownership of the related trademark. Avigilon Corporation protects its innovations with patents issued in the United States of America and other jurisdictions worldwide: avigilon.com/patents. Unless stated explicitly and in writing, no license is granted with respect to any copyright, industrial design, trademark, patent or other intellectual property rights of Avigilon Corporation or its licensors.

Disclaimer

This document has been compiled and published covering the latest product descriptions and specifications. The contents of this document and the specifications of the products discussed herein are subject to change without notice. Avigilon Corporation reserves the right to make any such changes without notice. Neither Avigilon Corporation nor any of its affiliated companies: (1) guarantees the completeness or accuracy of the information contained in this document; or (2) is responsible for your use of, or reliance on, the information. Avigilon Corporation shall not be responsible for any losses or damages (including consequential damages) caused by reliance on the information presented herein.

Avigilon Corporation
avigilon.com

PDF-H4ADC-A

Revision: 2 - EN

20170307

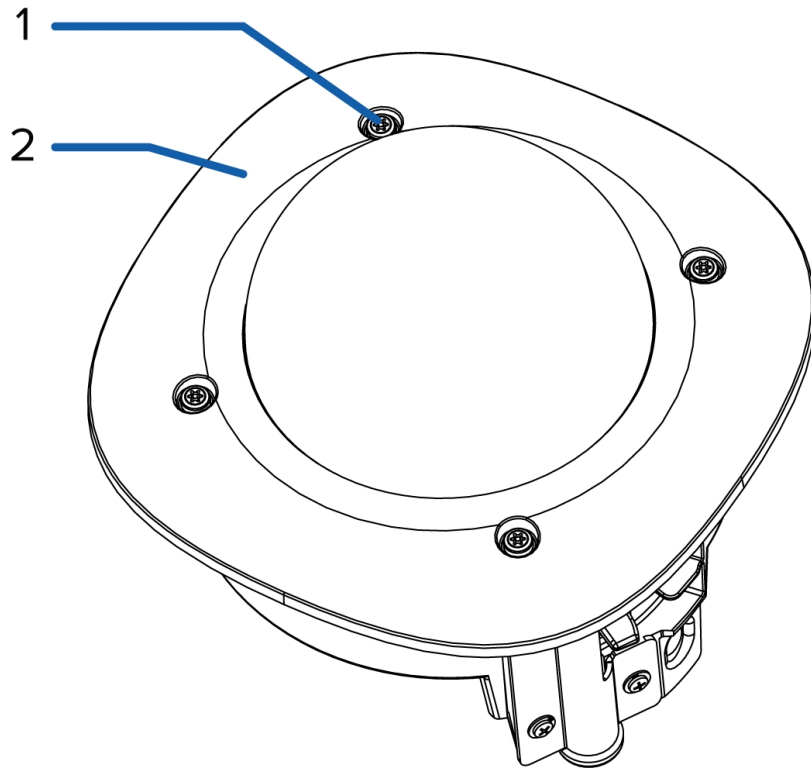
Table of Contents

Overview	1
Cover View	1
Clamp View	2
Top View	3
Front View	4
Rear View	5
Installation	6
Required Tools and Materials	6
Camera Package Contents	6
Installation Steps	6
Removing the Dome Cover	7
Inserting Cables through the Sealing Grommet	7
Mounting and Aiming Video Analytics Cameras	7
Mounting the Dome Camera	8
Mounting the Dome Camera Using the Ceiling Clamps	8
Mounting the Dome Camera using the Camera Mounting Holes	9
Connecting Cables	10
(Optional) Using the USB Wi-Fi Adapter	11
Assigning an IP Address	11
Accessing the Live Video Stream	11
Aiming the Dome Camera	11
(Optional) Configuring SD Card Storage	12
Installing the Dome Cover	12
Zooming and Focusing the Dome Camera	13
Configuring the Camera	13
For More Information	14
Cable Connections	15
Connecting External Power	15
Connecting to External Devices	15
Connecting to Microphones, Speakers and Video Monitors	16
LED Indicators	18
Resetting to Factory Default Settings	19
Setting the IP Address Using the ARP/Ping Method	20
Cleaning	21

Dome Bubble	21
Body	21
Specifications	22
Limited Warranty and Technical Support	24

Overview

Cover View



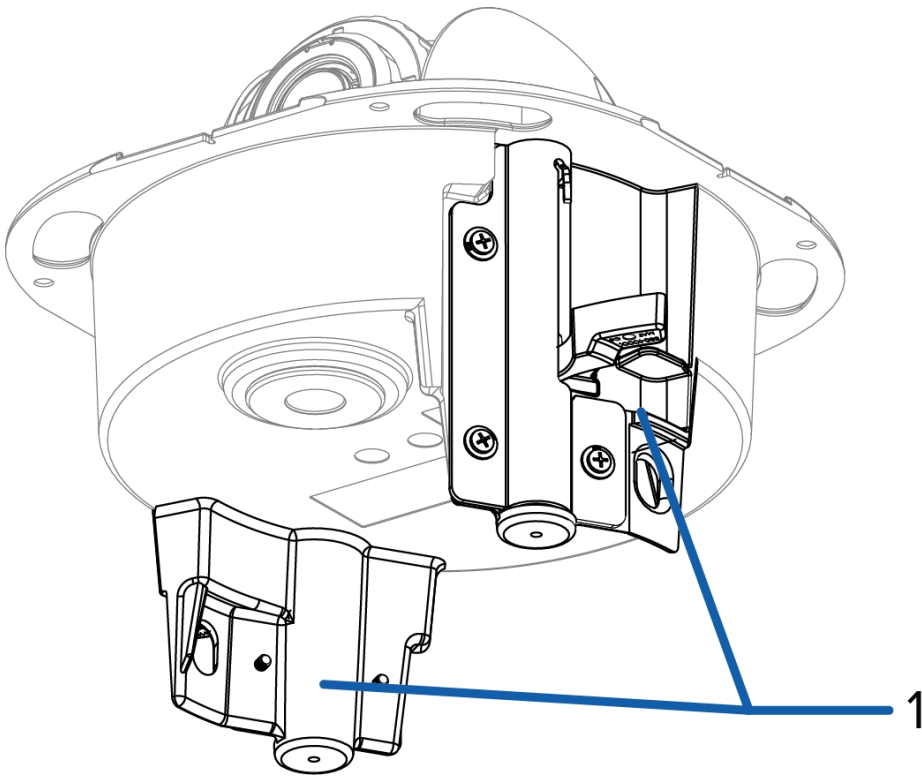
1. **Tamper resistant screws**

Torx captive screws to fix the dome cover to the base.

2. **Dome cover**

Vandal resistant dome cover.

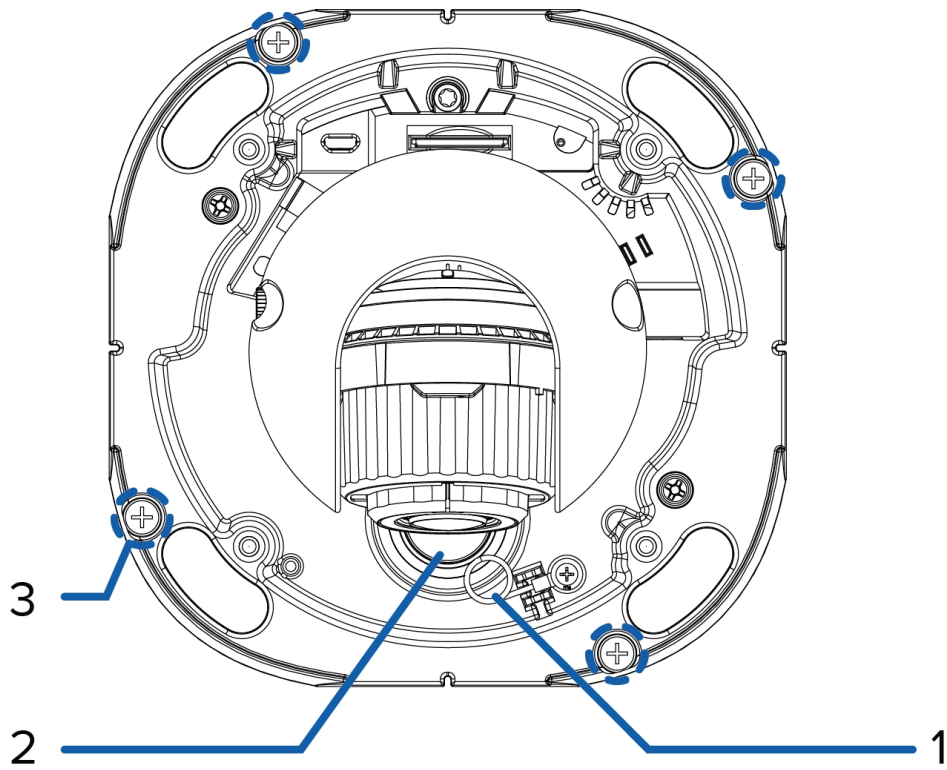
Clamp View



1. Clamps

Spring loaded locking mechanisms that secure the camera to the mounting surface.

Top View



1. **Lanyard**

Connects to a lanyard hook on the dome cover.

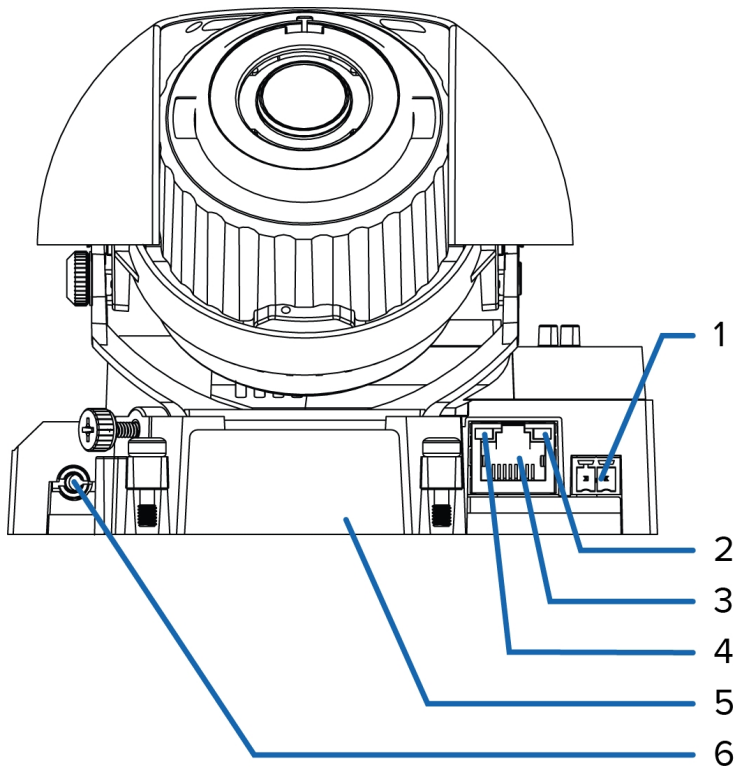
2. **Cable entry hole**

An entry hole for the cables required for camera operation.

3. **Mounting holes**

Holes for mounting the camera to a mounting surface.

Front View



1. Power connector block

Accepts a terminal block with either an AC or DC power connection. DC input can be either polarity. Only required when Power over Ethernet is not available.

2. Link LED

Indicates if there is an active connection in the Ethernet port.

3. Ethernet port

Accepts an Ethernet connection to a network. Server communication and image data transmission occurs over this connection. Also receives power when it is connected to a network that provides Power over Ethernet.

4. Connection status LED

Provides information about camera operation. For more information, see *LED Indicators* on page 18.

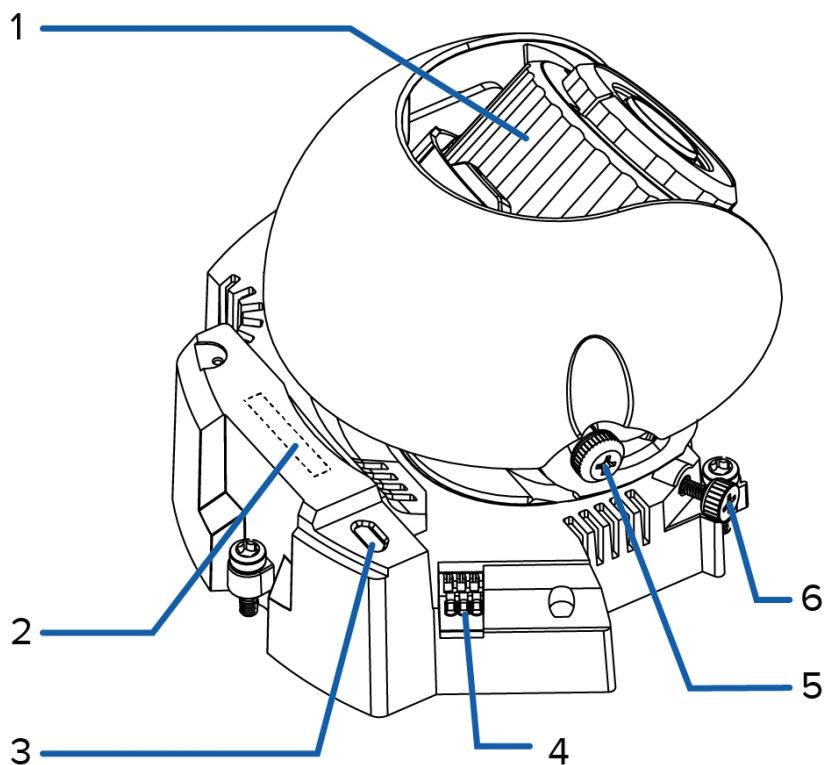
5. Serial number tag

Device information, product serial number and part number label.

6. Audio/video connector

Accepts a mini-jack connector (3.5 mm).

Rear View



1. **Azimuth control**

Provides control of the image angle.

2. **SD card slot**

Accepts an SD card for onboard storage.

3. **Micro USB port**

Accepts a micro USB to USB adapter. Only required when using the Avigilon USB Wi-Fi Adapter.

4. **I/O connector block**

Provides connections to external input/output devices.

5. **Tilt lock thumb screw**

Provides a locking mechanism for the image tilt adjustment.

6. **Pan lock thumb screw**

Provides a locking mechanism for the image pan adjustment

Installation

Required Tools and Materials

- Small slotted screwdriver with 5/64" or 2 mm blade width — for connecting power when not using Power over Ethernet.
- No. 2 Phillips screwdriver — for attaching the camera to a mounting surface and positioning the clamps.
- T20 Pin-In Torx driver

Camera Package Contents

Ensure the package contains the following:

- Avigilon™ H4 HD Dome Camera
- Mounting template sticker
- RJ-45 grommet piercing cap
- 4 screws and anchors for solid walls

Installation Steps

Complete the following steps to install the camera:

<i>Removing the Dome Cover</i>	7
<i>Inserting Cables through the Sealing Grommet</i>	7
<i>Mounting and Aiming Video Analytics Cameras</i>	7
<i>Mounting the Dome Camera</i>	8
<i>Connecting Cables</i>	10
<i>(Optional) Using the USB Wi-Fi Adapter</i>	11
<i>Assigning an IP Address</i>	11
<i>Accessing the Live Video Stream</i>	11
<i>Aiming the Dome Camera</i>	11
<i>(Optional) Configuring SD Card Storage</i>	12
<i>Installing the Dome Cover</i>	12
<i>Zooming and Focusing the Dome Camera</i>	13
<i>Configuring the Camera</i>	13

Removing the Dome Cover

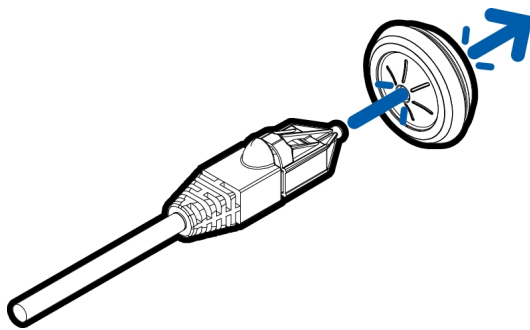
Remove the dome cover by loosening the screws that fix the cover to the base. Use a T20 Pin-In Torx driver to loosen the screws.

NOTE: Be careful not to scratch or touch the dome bubble. The resulting marks or fingerprints may affect the overall image quality. Keep the protective covers on the outside of the dome bubble until the installation is complete.

Inserting Cables through the Sealing Grommet

Depending on where you are installing the camera, you may need to pull the required cables through the sealing grommet included with the camera when using a cable entry hole.

1. Remove the sealing grommet from the camera.
2. Pull the tab on the grommet to open a hole for the Ethernet cable.
3. Push an Ethernet cable through the grommet by one of the following methods:
 - a. If the Ethernet cable is uncrimped, push the cable through the grommet.
 - b. If the Ethernet cable is already crimped, place the grommet piercing cap on the Ethernet connector then push the cable through the grommet.



Ensure that the orientation of the cable and grommet matches the one shown in the figure.

4. Push any other required cables through the grommet.

Mounting and Aiming Video Analytics Cameras

When installing an Avigilon video analytics camera, follow the listed mounting and aiming recommendations to maximize the camera's analytics capabilities:

- The camera should be installed above 274 cm (9').
- The camera should tilt downwards no more than 45 degrees.
- The camera image should be level with the horizon line.
- The camera should be mounted to a stable surface to minimize the physical movement of the camera after installation.

For more details, see *Designing a Site for Video Analytics*. The document is available in the eDocs app and on the Avigilon website.

Mounting the Dome Camera

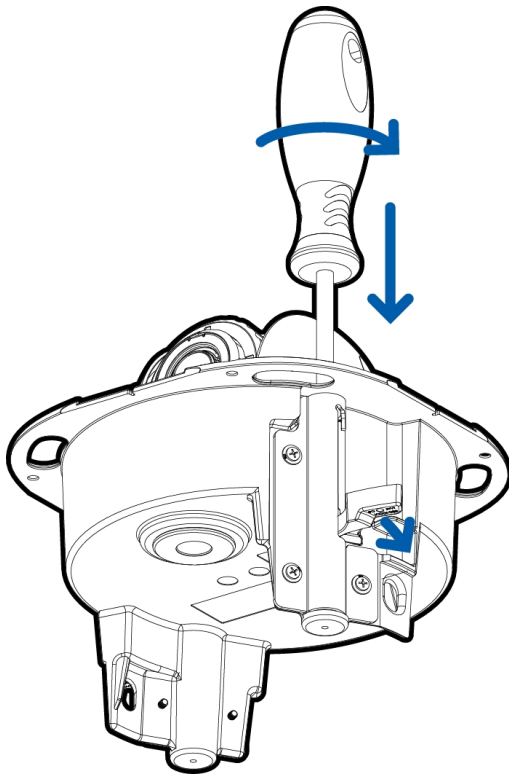


CAUTION — This camera is designed for indoor use only.

Mounting the Dome Camera Using the Ceiling Clamps

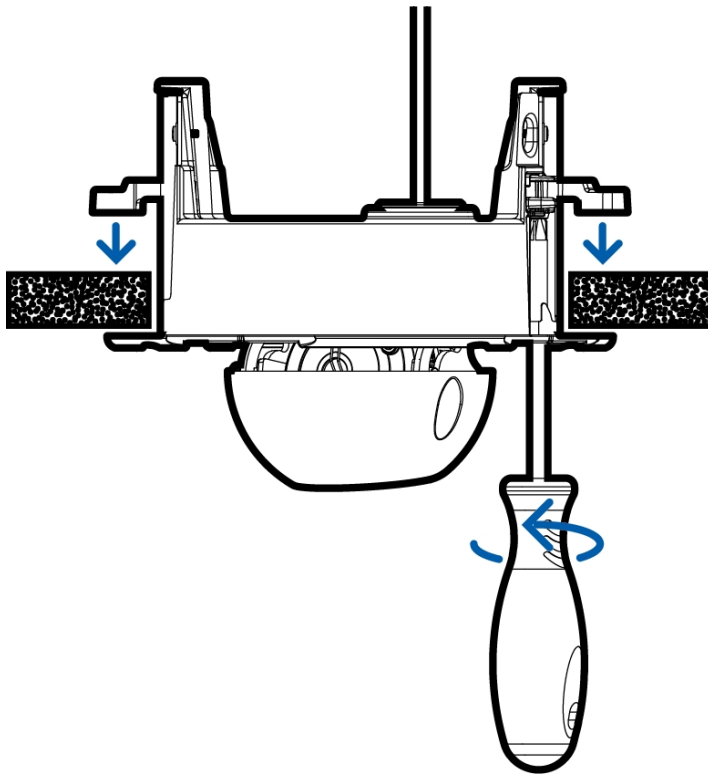
Perform the following steps if you will be mounting the camera into a ceiling.

1. Use the mounting template to cut an entry hole for the camera and cables into the ceiling.
2. Use a No. 2 Phillips screwdriver to push each of the clamps into the camera. Push the clamp down until the spring is fully compressed, then rotate the clamp counter clockwise into the ready position.



3. Insert the sealing grommet with all the required cables pulled through into the cable entry hole on the bottom of the camera. For more information on using the sealing grommet, see *Inserting Cables through the Sealing Grommet* on the previous page.

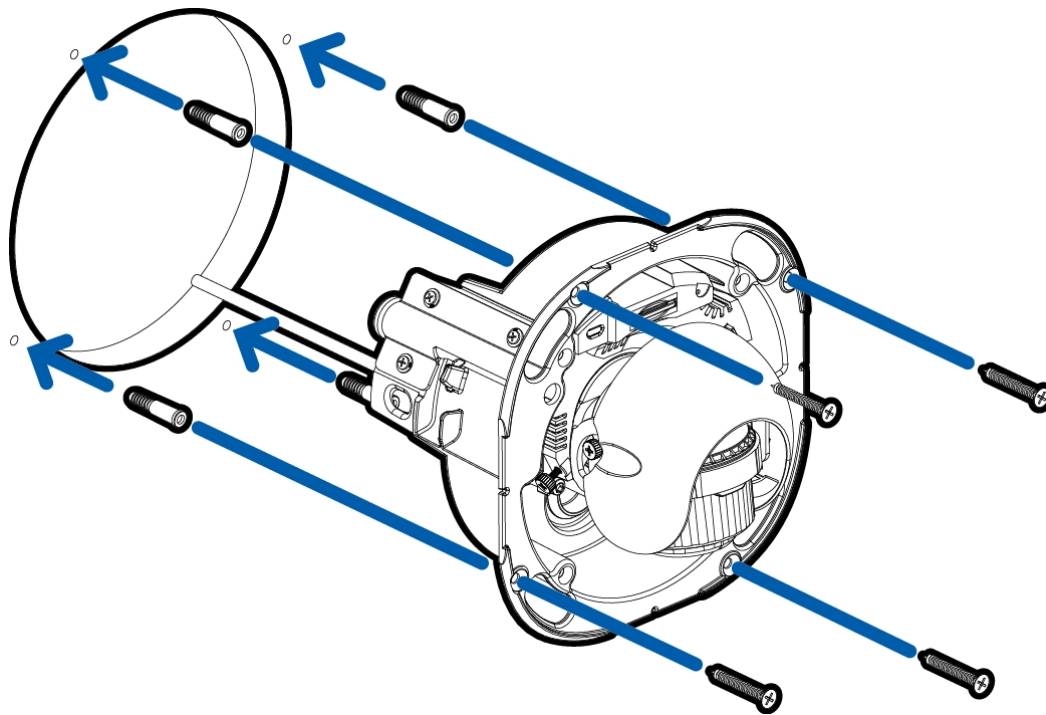
4. Insert the dome camera into the entry hole in the ceiling.
5. Rotate the clamps clockwise and release to secure the camera to the ceiling.



Mounting the Dome Camera using the Camera Mounting Holes

Perform the following procedure if you will be mounting the camera to a surface where the clamps cannot be used to secure the camera.

1. Use the mounting template to drill four mounting holes and an entry hole for the camera.
2. Insert the sealing grommet with all the required cables pulled through into the cable entry hole on the bottom of the camera. For more information on using the sealing grommet, see *Inserting Cables through the Sealing Grommet* on page 7.
3. Drive four screws through the mounting holes to fasten the camera to the wall.



Connecting Cables

Refer to the diagrams in the Overview section for the location of the different connectors.

1. If external input or output devices are part of the installation (for example: door contacts, relays, etc.), connect the devices to the I/O connector block.
2. If an external microphone needs to be connected to the camera, connect the device to the camera A/V connector.

For more information, see *Connecting to Microphones, Speakers and Video Monitors* on page 16.

3. (1.0 and 2.0 megapixel models only) If an external video monitor needs to be connected to the camera, connect the device to the camera A/V connector.

For more information, see *Connecting to Microphones, Speakers and Video Monitors* on page 16.

4. Connect a network cable to the Ethernet port (RJ-45 connector).

The Link LED will turn on once a network link has been established.

5. Connect power using one of the following methods:
 - Power over Ethernet (PoE) Class 3 — If PoE is available, the LEDs will turn on.
 - External Power — Connect an external 12 V DC or 24 V AC power source to the power connector block.
6. Check that the Connection Status LED indicates the correct state. For more information, see *LED Indicators* on page 18.

(Optional) Using the USB Wi-Fi Adapter

If you have a USB Wi-Fi Adapter (H4-AC-WIFI), attach it to the camera's micro USB port to access the camera's mobile web interface.

After you connect to the Wi-Fi signal broadcast by the adapter, you can access the mobile web interface from any mobile device using the following address:

`http://camera.lan`

For more information about configuring the camera from the mobile web interface see *Avigilon USB Wi-Fi Adapter System User Guide*.

NOTE: The camera will reserve the 10.11.22.32/28 subnet for internal use while the USB Wi-Fi Adapter is plugged in.

Assigning an IP Address

The camera automatically obtains an IP address when it is connected to a network.

NOTE: If the camera cannot obtain an IP address from a DHCP server, it will use Zero Configuration Networking (Zeroconf) to choose an IP address. When set using Zeroconf, the IP address is in the 169.254.0.0/16 subnet.

The IP address settings can be changed using one of the following methods:

- The mobile web interface using the USB Wifi Adapter. For more information, see *(Optional) Using the USB Wi-Fi Adapter* above.
- Camera's web browser interface: `http://<camera IP address>/`.
- Network Video Management software application (for example, the Avigilon Control Center™ software).
- ARP/Ping method. For more information, see *Setting the IP Address Using the ARP/Ping Method* on page 20.

NOTE: The default camera username is `administrator` with no password.

Accessing the Live Video Stream

Live video stream can be viewed using one of the following methods:

- The mobile web interface using the USB Wifi Adapter. For more information, see *(Optional) Using the USB Wi-Fi Adapter* above.
- Web browser interface: `http://< camera IP address>/`.
- Network Video Management software application (for example, the Avigilon Control Center software).

NOTE: The default camera username is `administrator` with no password.

Aiming the Dome Camera

Reference the camera's live stream as you aim the camera.

1. Loosen the pan and tilt lock screws on the camera.
2. Turn the lens to the correct direction by panning and tilting the lens.
3. Tighten the pan and tilt lock screws to secure the dome camera's position.

4. Rotate the azimuth control ring to set the image to the correct angle.
5. In the camera web browser interface or the Avigilon Control Center software, adjust the camera's Image and Display settings. You can set the zoom position, focus, and change the image rotation.

(Optional) Configuring SD Card Storage

To use the camera's SD card storage feature, you must insert an SD card into the card slot.

It is recommended that the SD card have a capacity of 8 GB or more and a write speed of class 6 or better. If the SD card does not meet the recommended capacity or write speed, the recording performance may suffer and result in the loss of frames or footage.

1. Insert an SD card into the camera.



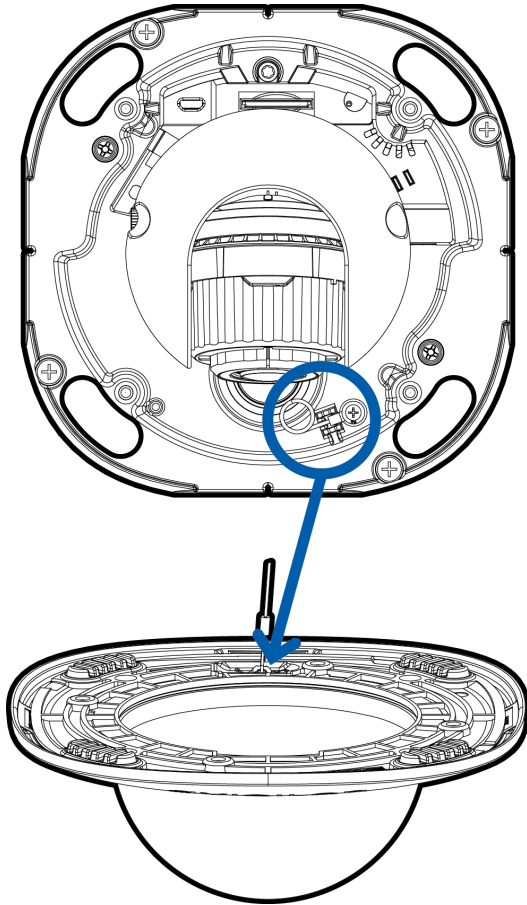
CAUTION — Do not force the SD card into the camera or you may damage the card and the camera. The SD card can only be inserted in one direction.

2. Access the camera's web interface to enable the onboard storage feature. For more information, see the *Avigilon High Definition H.264 Camera Web Interface User Guide*.

Installing the Dome Cover

Be careful not to touch or scratch the dome bubble when installing the dome cover.

1. Attach the lanyard to the dome cover.



2. Remove the protective cover on the inside of the dome bubble.
3. Attach the dome cover to the base by tightening the screws with the Torx driver.
4. Remove the protective cover on the dome bubble.

Zooming and Focusing the Dome Camera

Ensure this procedure is performed after the dome cover is installed, so you can accommodate for the focus shift caused by the dome bubble.

- In the camera web browser interface or the Avigilon Control Center software, use the camera's Image and Display settings to zoom and focus the camera.
 - a. Use the zoom buttons to zoom the camera in or out.
 - b. Click **Auto Focus** to focus the lens.
 - c. Use the focus near and far buttons to manually adjust the focus.

Configuring the Camera

Once installed, use one of the following methods to configure the camera:

- If you have the USB Wifi Adapter, you can access the mobile web interface to configure the camera. For more information, see *Avigilon USB Wi-Fi Adapter System User Guide*.
- If you have installed multiple cameras, you can use the Avigilon Camera Configuration Tool to configure common settings. For more information, see the *Avigilon Camera Configuration Tool User Guide*.
- If the camera is connected to the Avigilon Control Center system, you can use the client software to configure the camera. For more information, see the *Avigilon Control Center Client User Guide*.
- If the camera is connected to a third-party network management system, you can configure the camera's specialty features in the camera's web browser interface. For more information, see the *Avigilon H.264 Web Interface User Guide*.

For More Information

Additional information about setting up and using the device is available in the following guides:

- *Avigilon Control Center Client User Guide*
- *Avigilon High Definition H.264 Web Interface User Guide*
- *Avigilon Camera Configuration Tool User Guide*

The manuals are available on the Avigilon website: [avigilon.com/support-and-downloads](https://www.avigilon.com/support-and-downloads).

Cable Connections

Connecting External Power

If PoE is not available, the camera needs to be powered through the removable power connector block. Refer to the diagrams in this guide for the location of the power connector block.

The power consumption information is listed in the product specifications.

To connect power to the power connector block, complete the following steps:

1. Remove the power connector block from the camera.
2. Remove the insulation from ¼" (6 mm) of the power wires. Do not nick or damage the wires.
3. Insert the two power wires into the two terminals on the power connector block. The connection can be made with either polarity.

Use a small slotted (5/64" or 2 mm blade width) screwdriver to loosen and tighten the terminals.

4. Attach the power connector block back into the camera.



WARNING — This product is intended to be supplied by a UL Listed Power Unit marked “Class 2” or “LPS” or “Limited Power Source” with output rated 12 VDC or 24 VAC, 7 W min. or PoE rated 48 VDC, 7 W min.

Connecting to External Devices

External devices are connected to the camera through the I/O terminal block. The pinout for the I/O terminal block is shown in the following diagram:

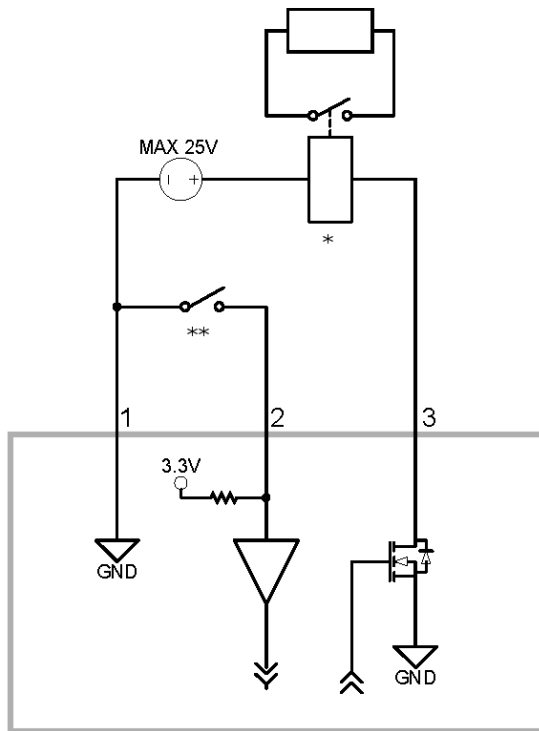


Figure 1: Example application.

1. Ground
 2. Input — To activate, connect the Input to the Ground pin. To deactivate, leave disconnected or apply between 3-15 V.
 3. Output — When active, Output is internally connected with the Ground pin. Circuit is open when inactive. Maximum load is 25 VDC, 120 mA.
- * — Relay
 - ** — Switch

Connecting to Microphones, Speakers and Video Monitors

The camera can be connected to an external microphone and speaker through the A/V connector. The camera only supports line level mono audio input.

1.0 and 2.0 megapixel models can also be connected to an external monitor through the same A/V connector.

The video output signal is determined by the camera flicker control setting. When the camera flicker control is set to 60 Hz, the video output signal is NTSC. When the flicker control is set to 50 Hz, the video output signal is PAL. Use the camera web browser interface to configure the camera's flicker control in the Image and Display settings.

All models of the camera use a mini-jack (3.5 mm) A/V connector. The pinout for the connector is shown in the following diagram:

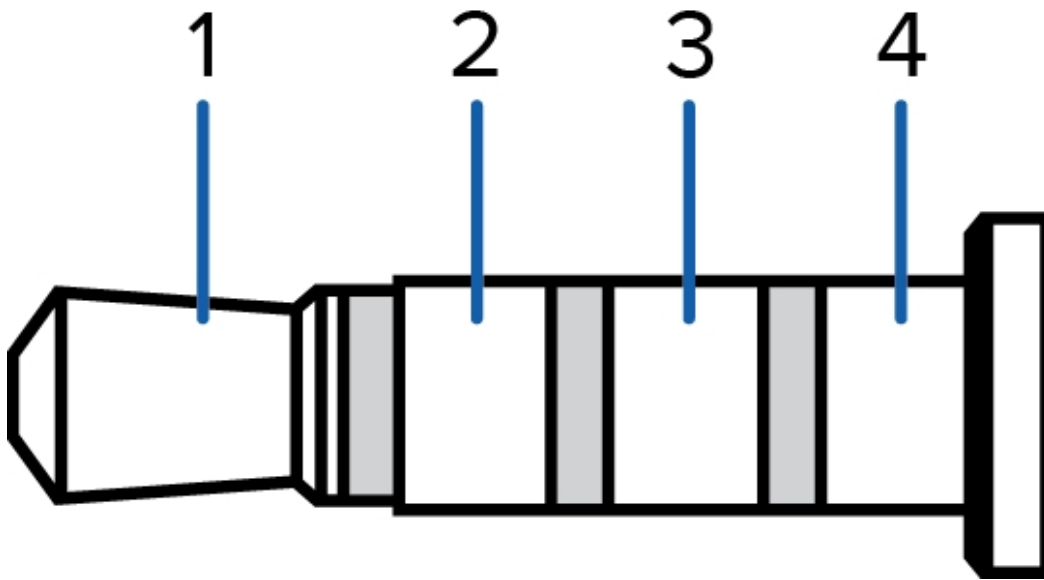


Figure 2: Mini-jack audio video connector

1. Audio IN
2. Composite Video OUT
3. GND
4. Audio OUT

LED Indicators

Once connected to the network, the Connection Status LED will display the progress in connecting to the Network Video Management software.

The following table describes what the LEDs indicate:

Connection State	Connection Status LED	Description
Obtaining IP Address	One short flash every second	Attempting to obtain an IP address.
Discoverable	Two short flashes every second	Obtained an IP address but is not connected to the Network Video Management software.
Upgrading Firmware	Two short flashes and one long flash every second	Updating the firmware.
Connected	On	Connected to the Network Video Management software or an ACC™ Server.

Resetting to Factory Default Settings

If the camera no longer functions as expected, you can choose to reset the camera to its factory default settings.

Use the firmware revert button to reset the camera. The firmware revert button is shown in the following diagram:

If you have video recorded to the SD card, be aware that resetting the camera will not affect the recorded video.

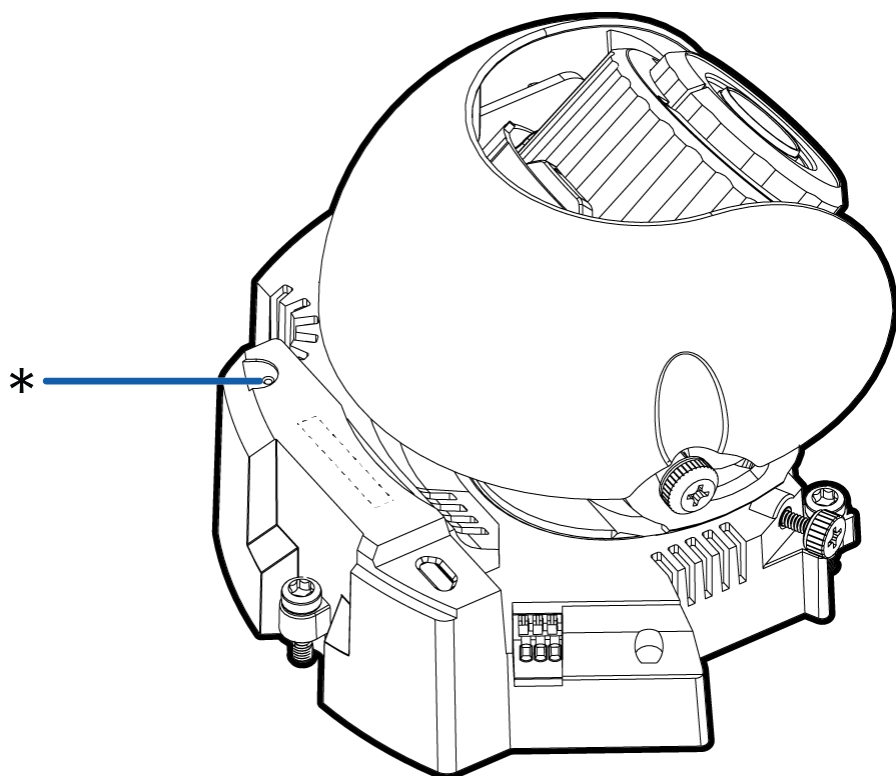


Figure 3: The firmware revert button on the dome camera.

1. Ensure the camera is powered on.
2. Using a straightened paperclip or similar tool, gently press and hold the firmware revert button.
3. Release the button after three seconds.



CAUTION — Do not apply excessive force. Inserting the tool too far will damage the camera.

Setting the IP Address Using the ARP/Ping Method

Complete the following steps to configure the camera to use a specific IP address:

NOTE: The ARP/Ping Method will not work if the **Disable setting static IP address through ARP/Ping method** check box is selected in the camera's web browser interface. For more information, see the *Avigilon™ High Definition H.264 Web Interface User Guide*.

1. Locate and copy down the MAC Address (MAC) listed on the Serial Number Tag for reference.
2. Open a Command Prompt window and enter the following commands:
 - a. `arp -s <New Camera IP Address> <Camera MAC Address>`
For example: `arp -s 192.168.1.10 00-18-85-12-45-78`
 - b. `ping -l 123 -t <New Camera IP Address>`
For example: `ping -l 123 -t 192.168.1.10`
3. Reboot the camera.
4. Close the Command prompt window when you see the following message:

Reply from <New Camera IP Address>: ...

Cleaning

Dome Bubble

If the video image becomes blurry or smudged in areas, it may be because the dome bubble requires cleaning.

To clean the dome bubble:

- Use hand soap or a non-abrasive detergent to wash off dirt or fingerprints.
- Use a microfiber cloth or non-abrasive fabric to dry the dome bubble.

Important: Failure to use the recommended cleaning materials may result in a damaged or scratched dome bubble. A damaged dome bubble may negatively impact image quality and cause unwanted IR light reflecting into the lens.

Body

- Use a dry or lightly dampened cloth to clean the camera body.
- Do not use strong or abrasive detergents.

Specifications

Camera	
Audio Input/Output	Line level input and output, A/V mini-jack (3.5 mm)
Video Output	NTSC/PAL, A/V mini-jack (3.5 mm)
Lens	H4A-DC1: <ul style="list-style-type: none"> • (1 – 3 MP models) 3-9 mm, F1.3, P-iris • (5 – 8 MP models) 4.3-8 mm, F1.8, P-iris H4A-DC2: <ul style="list-style-type: none"> • (1 – 5 MP models) 9-22 mm, F1.6, P-iris
Onboard Storage	SD/SDHC/SDXC slot – minimum class 4; class 6 or better recommended
Network	
Network	100Base-TX
Cabling Type	CAT5
Connector	RJ-45
API	ONVIF compliance version 1.02, 2.00, Profile S (www.onvif.org) Compliant with version 2.2.0 of the Analytics Service Specification (bounding boxes and scene descriptions not available with third-party VMS)
Device Management Protocols	SNMP v2c SNMP v3
Security	Password protection, HTTPS encryption, digest authentication, WS authentication, user access log, 802.1x port based authentication.
Streaming Protocols	IPv4, HTTP, HTTPS, SOAP, DNS, NTP, RTSP, RTCP, RTP, TCP, UDP, IGMP, ICMP, DHCP, Zeroconf, ARP, RTP/UDP, RTP/UDP multicast, RTP/RTSP/TCP, RTP/RTSP/HTTP/TCP, RTP/RTSP/HTTPS/TCP, HTTP
Mechanical	
Dimensions L x W x H	181 mm x 181 mm x 164 mm (7.1" x 7.1" x 6.5")
Weight	1.6 kg (3.5 lbs)
Dome Bubble	Polycarbonate, clear
Body	Plastic, aluminum
Housing	Recessed mount, tamper resistant
Finish	Plastic, gray Aluminum, powder coat, black
Adjustment Range	360° pan, 9° - 95° tilt, ±180° azimuth
Electrical	
Power Consumption	7 W

Power Source	VDC: 12 V +/- 10%, 7 W min
	VAC: 24 V +/- 10%, 10 VA min
	PoE: IEEE802.3af Class 3 compliant
Power Connector	2-pin terminal block
RTC Backup Battery	3V manganese lithium
Environmental	
Operating Temperature	-40 °C to +60 °C (-40 °F to 140 °F)
	8.0 MP model — -40 °C to +50 °C (-40 °F to 122 °F)
Storage Temperature	-10 °C to +70 °C (14 °F to 158 °F)
Humidity	0-95% non-condensing
Certifications	
Certifications	UL cUL CE ROHS WEEE RCM KC EAC
Safety	UL 60950-1 CSA 60950-1 IEC/EN 60950-1
Environmental	IK10 Impact Rating
Electromagnetic Emissions	FCC Part 15 Subpart B Class B EN 55032 Class B IC ICES-003 Class B EN 61000-6-3 EN 61000-3-2 EN 61000-3-3 KN 32
Electromagnetic Immunity	EN 55024 EN 61000-6-1 KN 35

Limited Warranty and Technical Support

Avigilon warranty terms for this product is provided at [avigilon.com/warranty](https://www.avigilon.com/warranty).

Warranty service and technical support can be obtained by contacting Avigilon Technical Support: [avigilon.com/contact-us/](https://www.avigilon.com/contact-us/).