

Installation Guide

Avigilon H4 SL Dome Camera Models with In-Ceiling Mounting Adapter:

H4SL-D/H4SL-DO plus H4SL-MT-DCIL

Important Safety Information

This manual provides installation and operation information and precautions for the use of this camera. Incorrect installation could cause an unexpected fault. Before installing this equipment read this manual carefully. Please provide this manual to the owner of the equipment for future use.



The Warning symbol indicates the presence of dangerous voltage within and outside the product enclosure that may constitute a risk of electric shock, serious injury or death to persons if proper precautions are not followed.



The Caution symbol alerts the user to the presence of hazards that may cause minor or moderate injury to persons, damage to property or damage to the product itself if proper precautions are not followed.



WARNING — Failure to observe the following instructions may result in severe injury or death.

- Installation must be performed by qualified personnel only, and must conform to all local codes.
- The H4SL-D product is intended to be supplied by Power over Ethernet (PoE) that is a “Limited Power Source” or “LPS” rated 48 VDC, 4W min.
- The H4SL-DO product is intended to be supplied by Power over Ethernet (PoE) that is a “Limited Power Source” or “LPS” rated 48 VDC, 7W min.
- Any external power supply connected to this product may only be connected to another Avigilon product of the same model series. External power connections must be properly insulated.
- Do not connect directly to mains power for any reason.



CAUTION — Failure to observe the following instructions may result in injury or damage to the camera.

- Do not expose the camera directly to high levels of x-ray, laser, or UV radiation. Direct exposure may cause permanent damage to the image sensor.
- Do not install near any heat sources such as radiators, heat registers, stoves, or other sources of heat.
- Do not subject the cables to excessive stress, heavy loads or pinching.
- Do not open or disassemble the device. There are no user serviceable parts.
- Refer all servicing to qualified personnel. Servicing may be required when the device has been damaged (such as from a liquid spill or fallen objects), has been exposed to rain or moisture, does not operate normally, or has been dropped.
- Do not use strong or abrasive detergents when cleaning the device body.
- Use only accessories recommended by Avigilon.

Regulatory Notices

This device complies with part 15 of the FCC Rules. Operation is subject to the following two conditions: (1) this device may not cause harmful interference, and (2) this device must accept any interference received, including interference that may cause undesired operation.

This Class B digital apparatus complies with Canadian ICES-003.

FCC Notice

This equipment has been tested and found to comply with the limits for a Class B digital device, pursuant to Part 15 of the FCC rules. These limits are designed to provide reasonable protection against harmful interference in a residential installation. This equipment generates, uses and can radiate radio frequency energy and, if not installed and used in accordance with the instructions, may cause harmful interference to radio communications. However, there is no guarantee that interference will not occur in a particular installation. If this equipment does cause harmful interference to radio or television reception, which can be determined by turning the equipment off and on, the user is encouraged to try to correct the interference by one or more of the following measures:

- Reorient or relocate the receiving antenna.
- Increase the separation between the equipment and the receiver.
- Connect the equipment into an outlet on a circuit different from that to which the receiver is connected.
- Consult the dealer or an experienced radio/TV technician for help.

Changes or modifications made to this equipment not expressly approved by Avigilon Corporation or parties authorized by Avigilon Corporation could void the user's authority to operate this equipment.

Disposal and Recycling Information

When this product has reached the end of its useful life, please dispose of it according to your local environmental laws and guidelines.

Risk of fire, explosion, and burns. Do not disassemble, crush, heat above 100 °C (212 °F), or incinerate.

European Union:



This symbol means that according to local laws and regulations your product should be disposed of separately from household waste. When this product reaches its end of life, take it to a collection point designated by local authorities. Some collection points accept products for free. The separate collection and recycling of your product at the time of disposal will help conserve natural resources and ensure that it is recycled in a manner that protects human health and the environment.

Legal Notices

© 2016 - 2017, Avigilon Corporation. All rights reserved. AVIGILON, the AVIGILON logo, AVIGILON CONTROL CENTER, ACC, and TRUSTED SECURITY SOLUTIONS are trademarks of Avigilon Corporation. Other names mentioned herein may be the trademarks of their respective owners. The absence of the symbols ™ and ® in proximity to each trademark in this document is not a disclaimer of ownership of the related trademark. Avigilon Corporation protects its innovations with patents issued in the United States of America and other jurisdictions worldwide: avigilon.com/patents. Unless stated explicitly and in writing, no license is granted with respect to any copyright, industrial design, trademark, patent or other intellectual property rights of Avigilon Corporation or its licensors.

Disclaimer

This document has been compiled and published covering the latest product descriptions and specifications. The contents of this document and the specifications of the products discussed herein are subject to change without notice. Avigilon Corporation reserves the right to make any such changes without notice. Neither Avigilon Corporation nor any of its affiliated companies: (1) guarantees the completeness or accuracy of the information contained in this document; or (2) is responsible for your use of, or reliance on, the information. Avigilon Corporation shall not be responsible for any losses or damages (including consequential damages) caused by reliance on the information presented herein.

Avigilon Corporation
avigilon.com

PDF-H4SL-MT-DCIL-A

Revision: 2 - EN

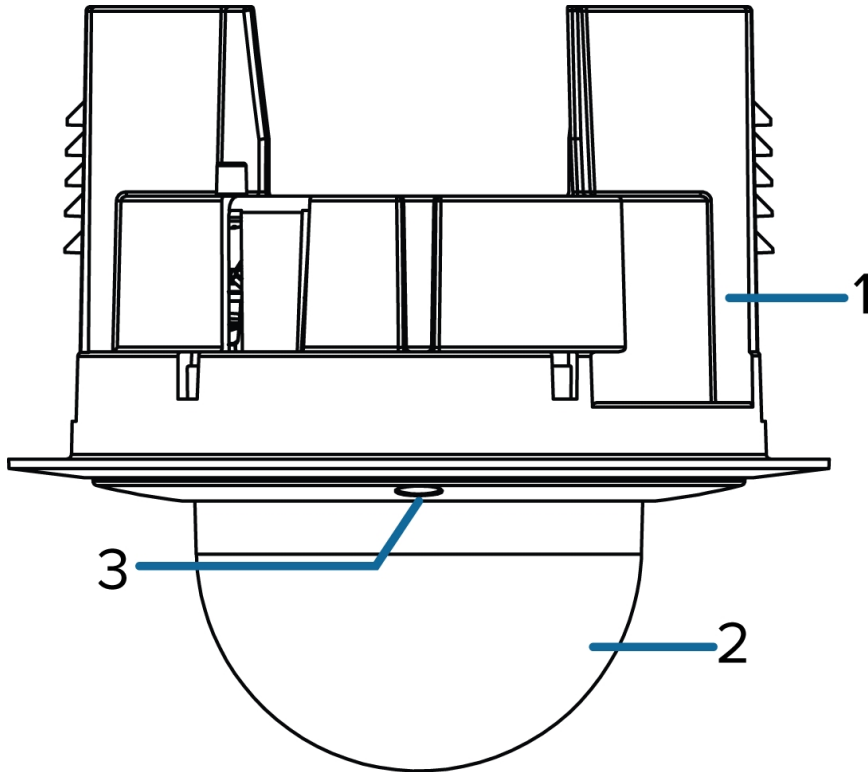
20170307

Table of Contents

| | |
|--|----|
| Overview | 1 |
| Cover View | 1 |
| Adapter View | 2 |
| Camera Base Bottom View | 3 |
| Camera Base Front View | 4 |
| Camera Base Rear View | 5 |
| Installation | 6 |
| Required Tools and Materials | 6 |
| Camera Package Contents | 6 |
| Installation Steps | 6 |
| Removing the Dome Cover | 7 |
| Inserting Cables through the Sealing Grommet | 7 |
| Using the In-Ceiling Mounting Adapter | 8 |
| Installing the Camera Base to the Mounting Adapter | 11 |
| (Optional) Using the USB Wi-Fi Adapter | 12 |
| Assigning an IP Address | 12 |
| Accessing the Live Video Stream | 12 |
| Aiming the Dome Camera | 13 |
| (Optional) Configuring microSD Card Storage | 14 |
| Installing the Dome Cover | 15 |
| Zooming and Focusing the Dome Camera | 15 |
| Configuring the Camera | 15 |
| For More Information | 16 |
| LED Indicators | 17 |
| Removing the Dome Camera from the Mounting Adapter | 18 |
| Resetting to Factory Default Settings | 19 |
| Setting the IP Address Using the ARP/Ping Method | 20 |
| Specifications | 21 |
| Limited Warranty and Technical Support | 23 |

Overview

Cover View



1. In-ceiling mount adapter

Used to mount the dome camera to a wall, ceiling or electrical box.

2. Dome cover

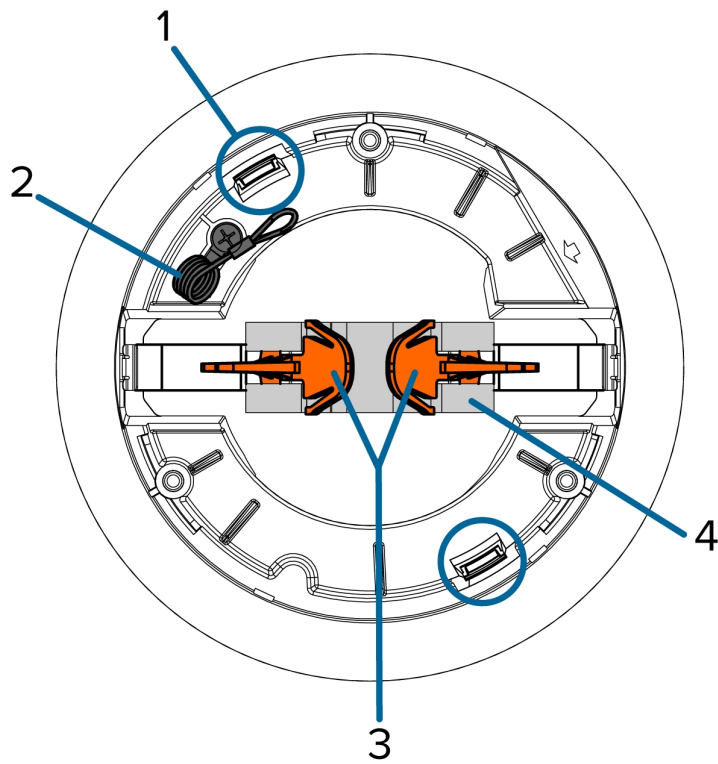
Vandal resistant dome cover.

Only available on H4SL-DO models.

3. Tamper resistant screws

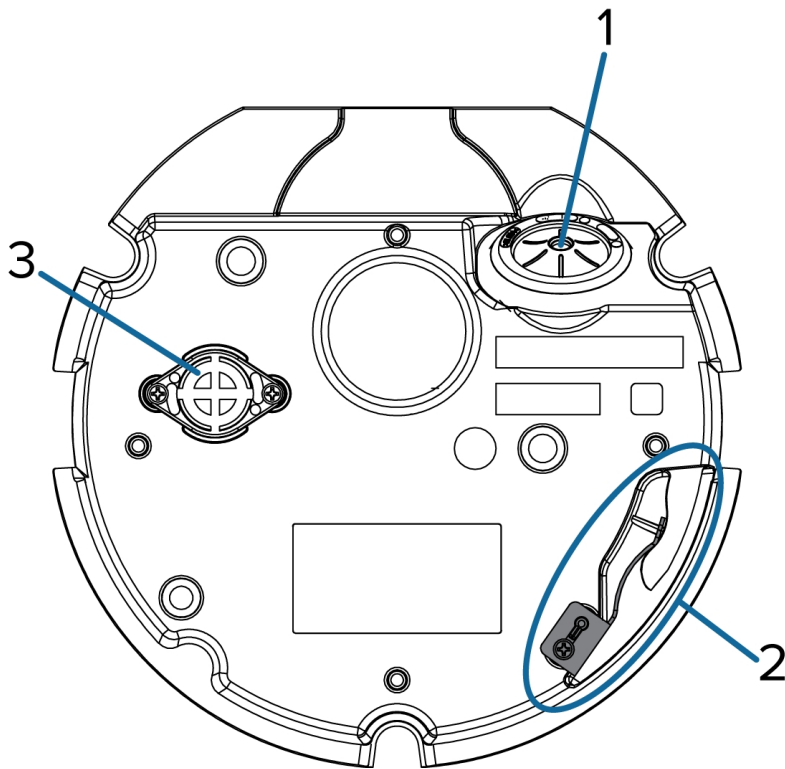
Torx captive screws to fix the dome cover to the base.

Adapter View



- 1. Camera housing clips**
Snaps to hold camera module during installation.
- 2. Lanyard**
Connects to the lanyard anchor on the dome camera base.
- 3. Clamps**
Manually adjustable clamps for securing the dome camera to the ceiling.
- 4. Clamp retainer**
Used to hold the clamps together before installation.

Camera Base Bottom View



1. **Cable entry hole**

An entry hole for the cables required for camera operation.

2. **Lanyard anchor**

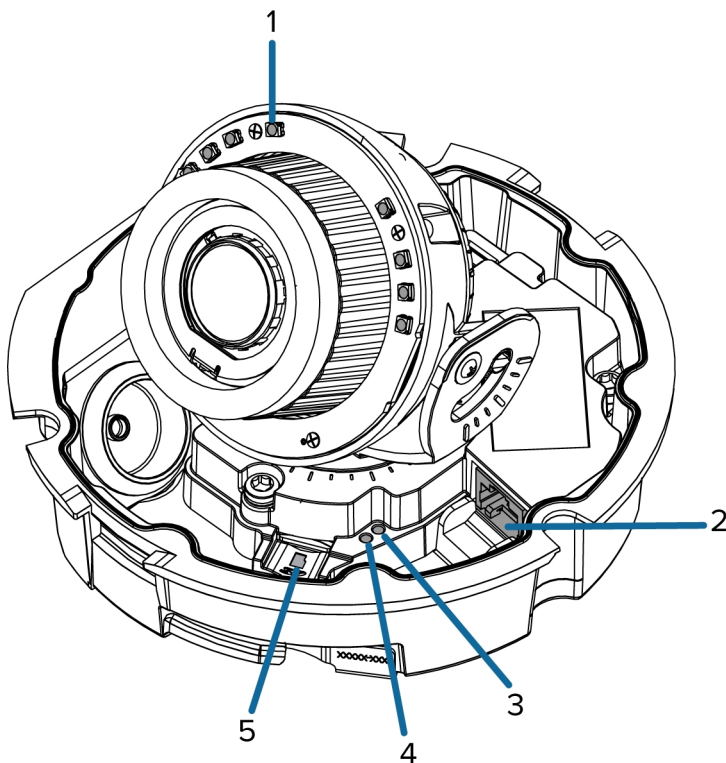
The safety lanyard attaches to the anchor to prevent the camera from falling during installation.

3. **Vent**

Vent to allow moisture vapor to escape the sealed housing and equalize pressure.

Only available on H4SL-DO models.

Camera Base Front View



1. IR illuminator

Provides scene illumination in the IR spectrum.

Only available on -IR models.

2. Ethernet port

Accepts power and Ethernet connection to the network.

The camera can only be powered by Power over Ethernet (PoE). Server communication and image data transmission also occur over this connection.

3. Connection status LED

Provides information about camera operation. For more information, see *LED Indicators* on page 17.

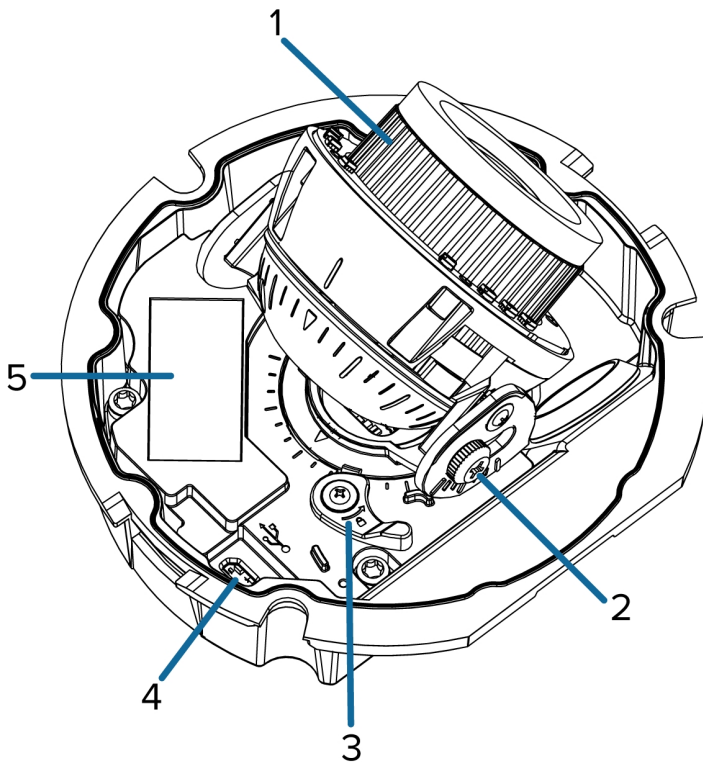
4. Link LED

Indicates if there is an active connection in the Ethernet port.

5. microSD card slot

Accepts a microSD card for onboard storage.

Camera Base Rear View



Displayed IR illuminators only available on -IR models.

1. **Azimuth control**

Provides control of the image angle.

2. **Tilt lock thumb screw**

Provides a locking mechanism for the image tilt adjustment.

3. **Pan lock latch**

Provides a locking mechanism for the image pan adjustment

4. **Micro USB port**

Accepts a micro USB to USB adapter. Only required when using the Avigilon USB Wi-Fi Adapter.

5. **Serial number tag**

Device information, product serial number and part number label.

Installation

Required Tools and Materials

The following tools are required to complete the camera installation but are not included in the camera package:

- T20 Pin-In Torx® driver

Camera Package Contents

Ensure the dome camera package contains the following:

- Avigilon H4 SL Dome Camera (Indoor model — H4SL-D)
 - Provided accessories that are not required for this installation:
 - Mounting template sticker
 - 4 screws and anchors for solid walls
 - Surface mount adapter
 - Side conduit cover
- Avigilon H4 SL Dome Camera (Outdoor model — H4SL-DO)
 - RJ-45 grommet piercing cap
 - Provided accessories that are not required for this installation:
 - Mounting template sticker
 - 4 screws and anchors for solid walls
 - Surface mount adapter
 - Side conduit cover
 - Side conduit plate (2 sizes)

Ensure the mounting adapter (H4SL-MT-DCIL) package contains the following:

- In-ceiling mounting adapter for an H4 SL Dome Camera
- Mounting template sticker

Installation Steps

Complete the following steps to install the camera:

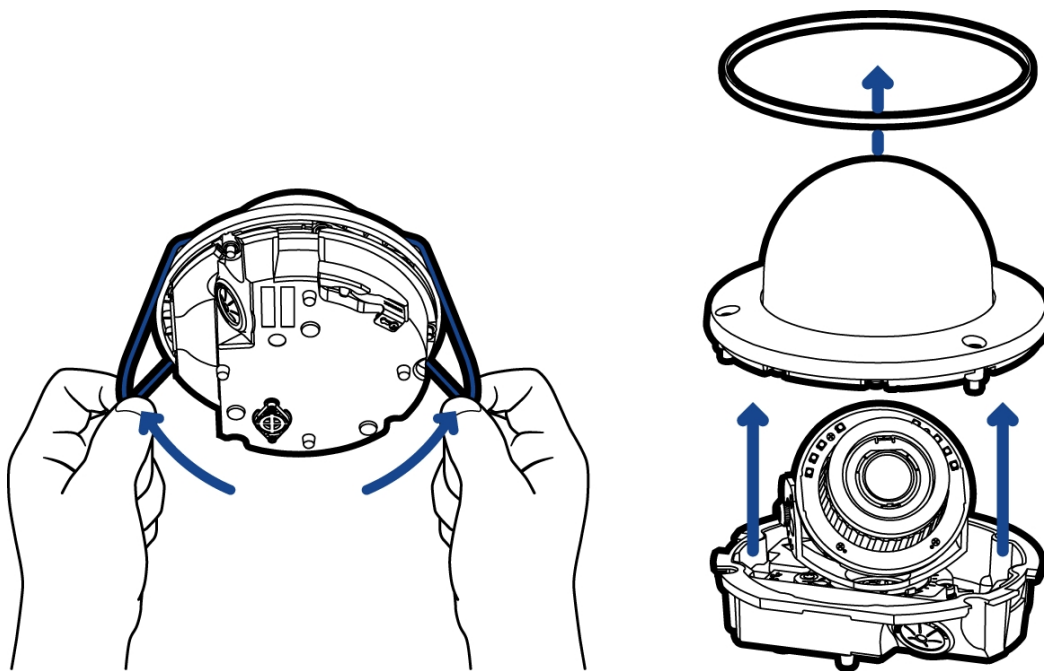
| | |
|---|----|
| <i>Removing the Dome Cover</i> | 7 |
| <i>Inserting Cables through the Sealing Grommet</i> | 7 |
| <i>Using the In-Ceiling Mounting Adapter</i> | 8 |
| <i>Installing the Camera Base to the Mounting Adapter</i> | 11 |

| | |
|--|----|
| <i>(Optional) Using the USB Wi-Fi Adapter</i> | 12 |
| <i>Assigning an IP Address</i> | 12 |
| <i>Accessing the Live Video Stream</i> | 12 |
| <i>Aiming the Dome Camera</i> | 13 |
| <i>(Optional) Configuring microSD Card Storage</i> | 14 |
| <i>Installing the Dome Cover</i> | 15 |
| <i>Zooming and Focusing the Dome Camera</i> | 15 |
| <i>Configuring the Camera</i> | 15 |

Removing the Dome Cover

NOTE: Be careful not to scratch or touch the dome bubble. The resulting marks or fingerprints may affect the overall image quality. Keep the protective covers on the outside of the dome bubble until the installation is complete.

- Remove the dome cover by releasing the elastic strap holding the dome cover to the camera base.



Inserting Cables through the Sealing Grommet

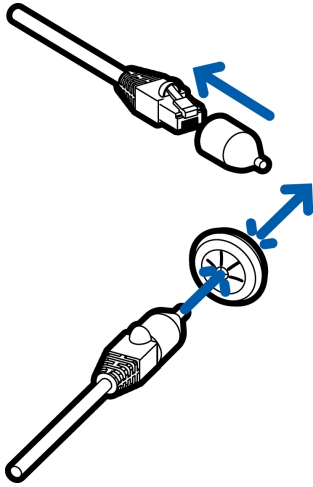
Always use the provided sealing grommet to prevent dust and debris from entering the camera.

1. Remove the sealing grommet from the camera base.
2. Push the Ethernet cable through the grommet.

If you are installing the indoor model (H4SL-D), you should be able to simply push the cable, crimped or uncrimped, through the grommet by hand.

If you are installing the outdoor model (H4SL-DO), use one of the following methods:

- a. If the Ethernet cable is uncrimped, push the cable through the grommet.
- b. If the Ethernet cable is already crimped, place the grommet piercing cap on the Ethernet connector then push the cable through the grommet.



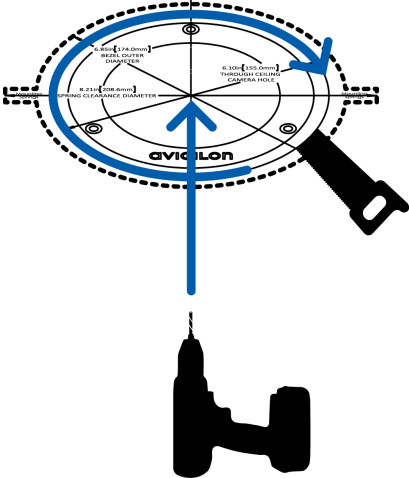
Ensure that the orientation of the cable and grommet matches the one shown in the image.

Using the In-Ceiling Mounting Adapter

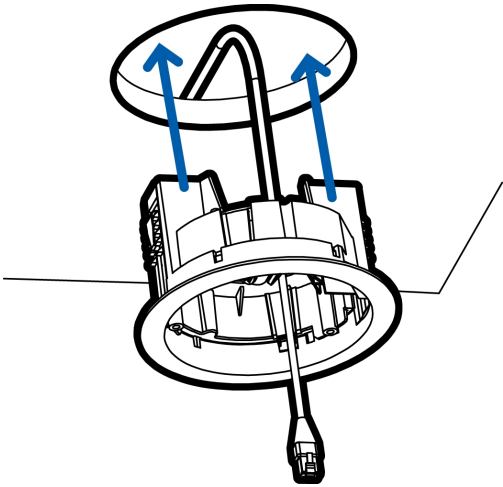
If the dome camera needs to be installed into a ceiling, you can discard the surface mount adapter that is provided with the dome camera and use the in-ceiling mounting adapter instead.

NOTE: The maximum supported ceiling thickness is 32 mm (1.25").

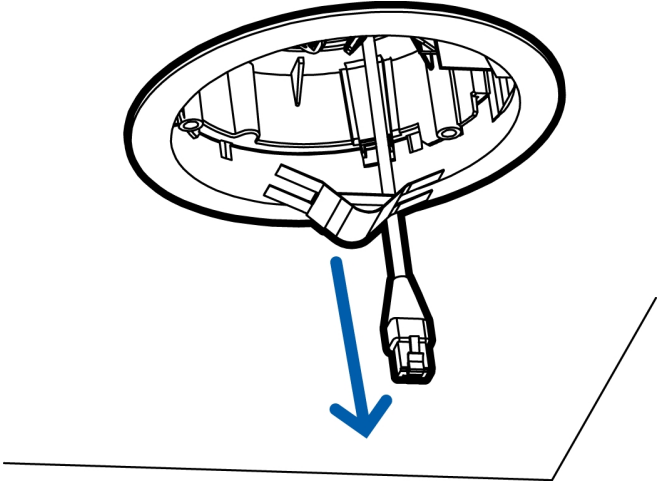
1. Use the in-ceiling mounting template to cut an entry hole for the camera into the ceiling.



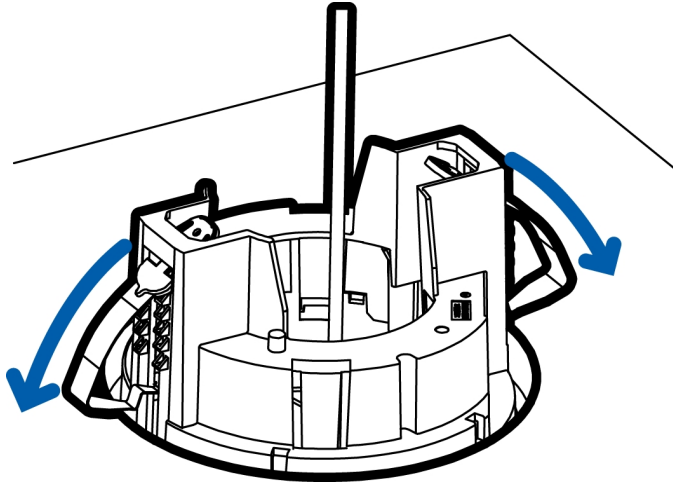
2. Insert the in-ceiling mounting adapter into the entry hole then pull the required cable through the adapter.



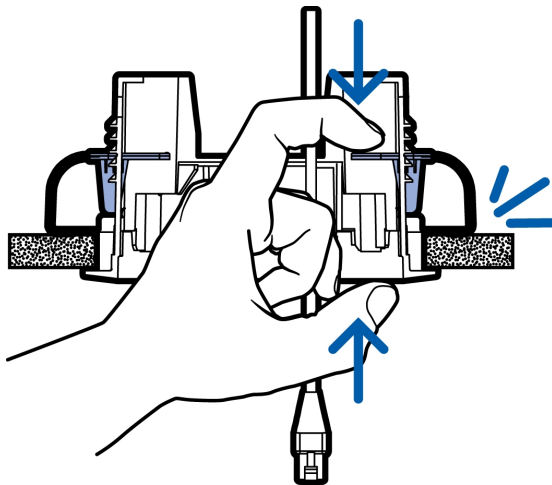
3. Pull off the clamp retainer holding the clamps in place.



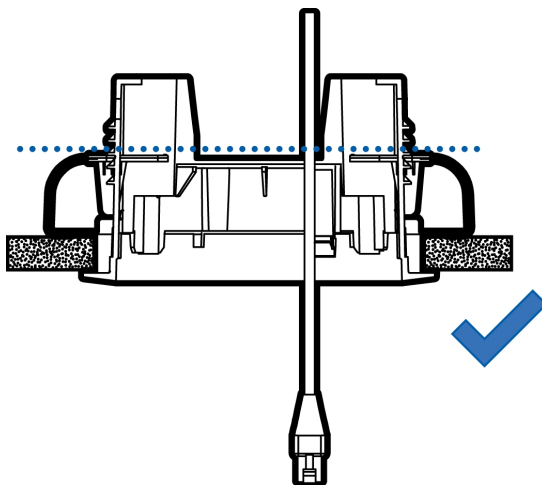
4. Push the orange clamp handles up so that the metal arms extend outside the mounting adapter.



5. With your thumb on the outside edge of the mounting adapter and your forefinger on one of the orange clamp handles, pinch the clamp down until the clamp is secured.



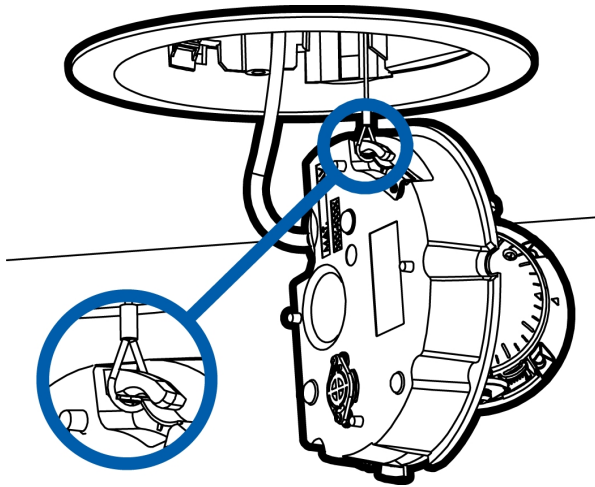
6. Repeat the previous step on the other side. Make sure both clamps are level and horizontal.



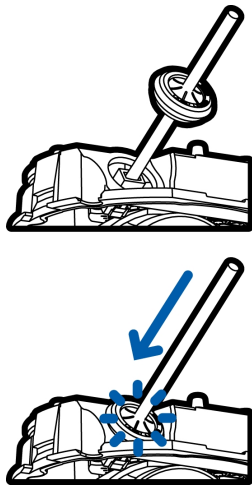
Installing the Camera Base to the Mounting Adapter

After you install the mounting adapter, mount the camera base to the adapter.

1. Attach the lanyard on the mounting adapter to the anchor on the camera base.



2. Pull the required Ethernet cable through the cable entry hole on the camera base.
3. Install the grommet into the cable entry hole on the camera base.

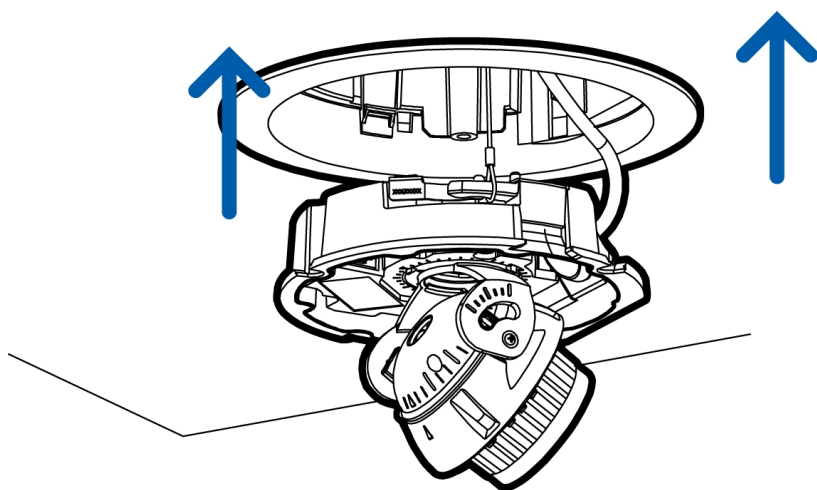


Make sure the grommet flange is securely seated on the inside and outside of the cable entry hole.

4. Connect the cable to the Ethernet port.

The Link LED will turn on once a network link has been established.

- Align the orange arrow on the camera base to the orange arrow on the mounting adapter, then press the camera base into the mounting adapter. The camera base clicks into place and is held securely.



(Optional) Using the USB Wi-Fi Adapter

If you have a USB Wi-Fi Adapter (H4-AC-WIFI), attach it to the camera's micro USB port to access the camera's mobile web interface.

After you connect to the Wi-Fi signal broadcast by the adapter, you can access the mobile web interface from any mobile device using the following address:

`http://camera.lan`

For more information about configuring the camera from the mobile web interface see *Avigilon USB Wi-Fi Adapter System User Guide*.

NOTE: The camera will reserve the 10.11.22.32/28 subnet for internal use while the USB Wi-Fi Adapter is plugged in.

Assigning an IP Address

The camera automatically obtains an IP address when it is connected to a network.

NOTE: If the camera cannot obtain an IP address from a DHCP server, it will use Zero Configuration Networking (Zeroconf) to choose an IP address. When set using Zeroconf, the IP address is in the 169.254.0.0/16 subnet.

The IP address settings can be changed using one of the following methods:

- The mobile web interface using the USB Wifi Adapter. For more information, see *(Optional) Using the USB Wi-Fi Adapter* above.
- Camera's web browser interface: `http://<camera IP address>/`.
- Network Video Management software application (for example, the Avigilon Control Center™ software).
- ARP/Ping method. For more information, see *Setting the IP Address Using the ARP/Ping Method* on page 20.

NOTE: The default camera username is `administrator` with no password.

Accessing the Live Video Stream

Live video stream can be viewed using one of the following methods:

- The mobile web interface using the USB Wifi Adapter. For more information, see *(Optional) Using the USB Wi-Fi Adapter* on the previous page.
- Web browser interface: <http://< camera IP address >/>.
- Network Video Management software application (for example, the Avigilon Control Center software).

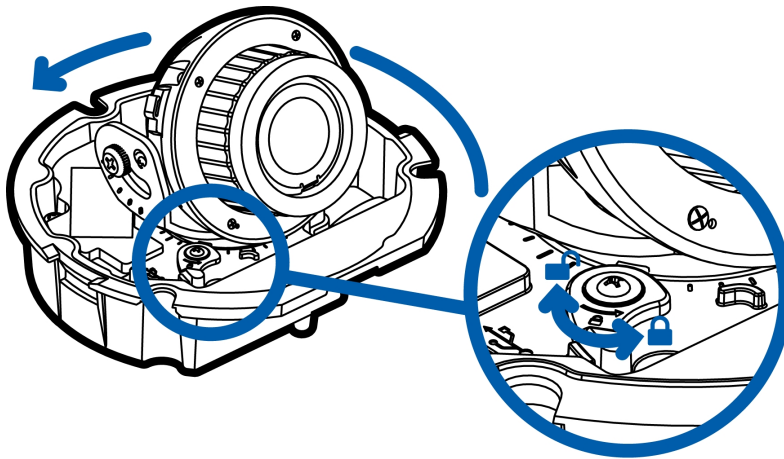
NOTE: The default camera username is `administrator` with no password.

Aiming the Dome Camera

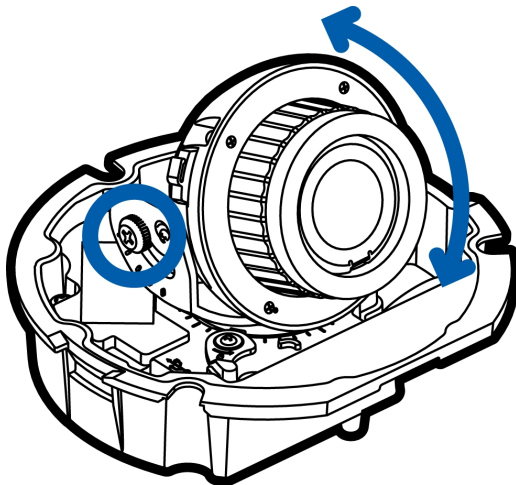
Reference the camera's live stream as you aim the camera.

1. Unlock the pan lock latch on the camera base, then pan the lens until it is aimed in the correct direction.

If the camera stops panning before it reaches its final destination, stop and pan the camera in the opposite direction.

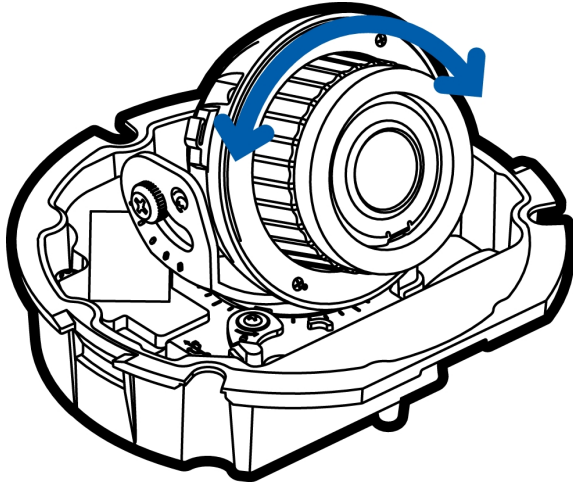


2. Loosen the tilt lock thumb screw to tilt the lens.



3. Lock the pan lock latch and tighten the tilt lock screw to secure the dome camera's position.

4. Rotate the azimuth control ring to set the image to the correct angle.



5. In the camera web browser interface or the Avigilon Control Center software, adjust the camera's Image and Display settings.

(Optional) Configuring microSD Card Storage

To use the camera's SD card storage feature, you must insert a microSD card into the card slot.

It is recommended that the microSD card have a write speed of class 10 or better. If the microSD card does not meet the recommended write speed, the recording performance may suffer and result in the loss of frames or footage.

1. Insert a microSD card into the camera.

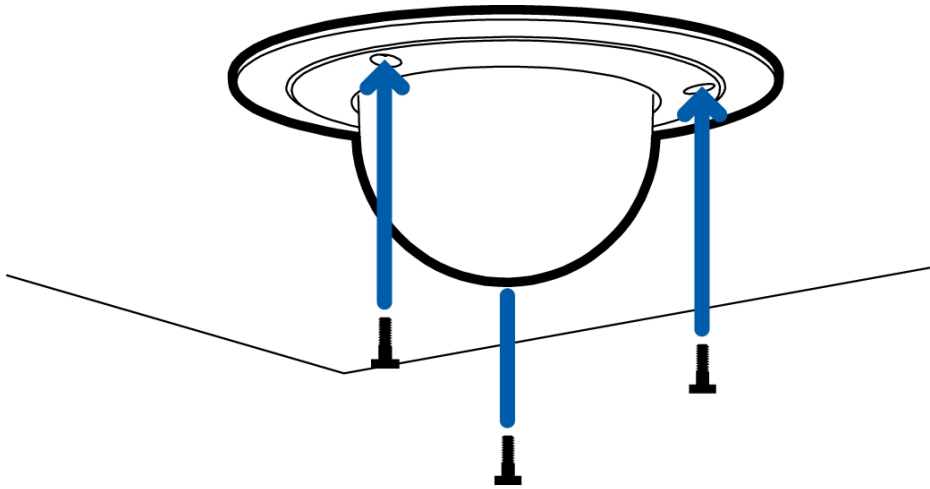


CAUTION — Do not force the microSD card into the camera or you may damage the card and the camera.

2. Access the camera's web interface to enable the onboard storage feature. For more information, see the *Avigilon High Definition H.264 Camera Web Interface User Guide*.

Installing the Dome Cover

1. Attach the dome cover to the base by tightening the screws with the Torx driver.



2. Remove the protective cover on the outside of the dome bubble.

Zooming and Focusing the Dome Camera

Ensure this procedure is performed after the dome cover is installed so you can accommodate for the focus shift caused by the dome bubble.

NOTE: If the H4SL-DO camera model is powered while the temperature is below -30°C (-22°F), the zoom and focus may be disabled for the first 45 minutes while the camera warms up.

- In the camera web browser interface or the Avigilon Control Center software, use the camera's Image and Display settings to zoom and focus the camera.
 - a. Use the zoom buttons to zoom the camera in or out.
 - b. Click **Auto Focus** to focus the lens.
 - c. Use the focus near and far buttons to manually adjust the focus.

Configuring the Camera

Once installed, use one of the following methods to configure the camera:

- If you have the USB Wifi Adapter, you can access the mobile web interface to configure the camera. For more information, see *Avigilon USB Wi-Fi Adapter System User Guide*.
- If you have installed multiple cameras, you can use the Avigilon Camera Configuration Tool to configure common settings. For more information, see the *Avigilon Camera Configuration Tool User Guide*.
- If the camera is connected to the Avigilon Control Center system, you can use the client software to configure the camera. For more information, see the *Avigilon Control Center Client User Guide*.
- If the camera is connected to a third-party network management system, you can configure the camera's specialty features in the camera's web browser interface. For more information, see the *Avigilon H.264 Web Interface User Guide*.

For More Information

Additional information about setting up and using the device is available in the following guides:

- *Avigilon Control Center Client User Guide*
- *Avigilon High Definition H.264 Web Interface User Guide*
- *Avigilon Camera Configuration Tool User Guide*

The manuals are available on the Avigilon website: [avigilon.com/support-and-downloads](https://www.avigilon.com/support-and-downloads).

LED Indicators

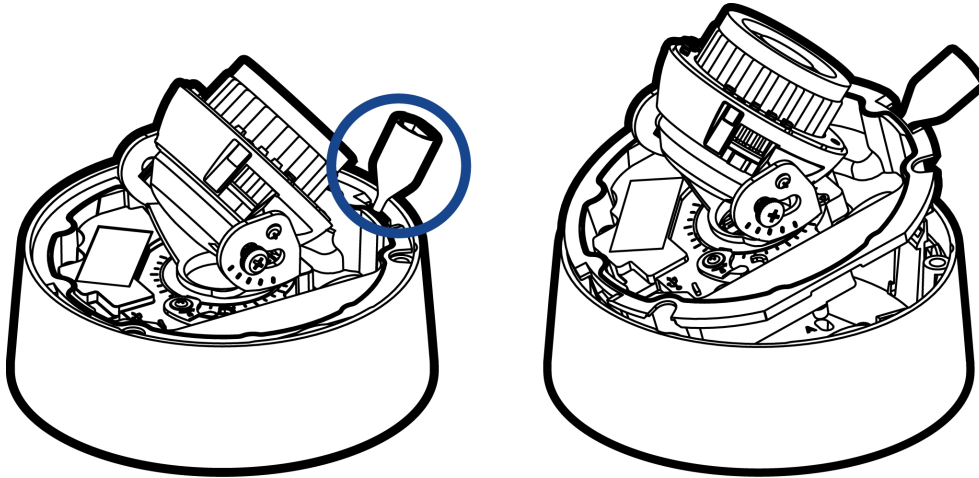
Once connected to the network, the Connection Status LED will display the progress in connecting to the Network Video Management software.

The following table describes what the LEDs indicate:

| Connection State | Connection Status LED | Description |
|-------------------------|---|---|
| Obtaining IP Address | One short flash every second | Attempting to obtain an IP address. |
| Discoverable | Two short flashes every second | Obtained an IP address but is not connected to the Network Video Management software. |
| Upgrading Firmware | Two short flashes and one long flash every second | Updating the firmware. |
| Connected | On | Connected to the Network Video Management software or an ACC™ Server. |

Removing the Dome Camera from the Mounting Adapter

1. Loosen the Torx screws and remove the dome cover.
2. Locate the small orange arrows that point at the camera housing clips.
3. Insert a flat head screwdriver or grommet piercing cap against one of the camera housing clips.

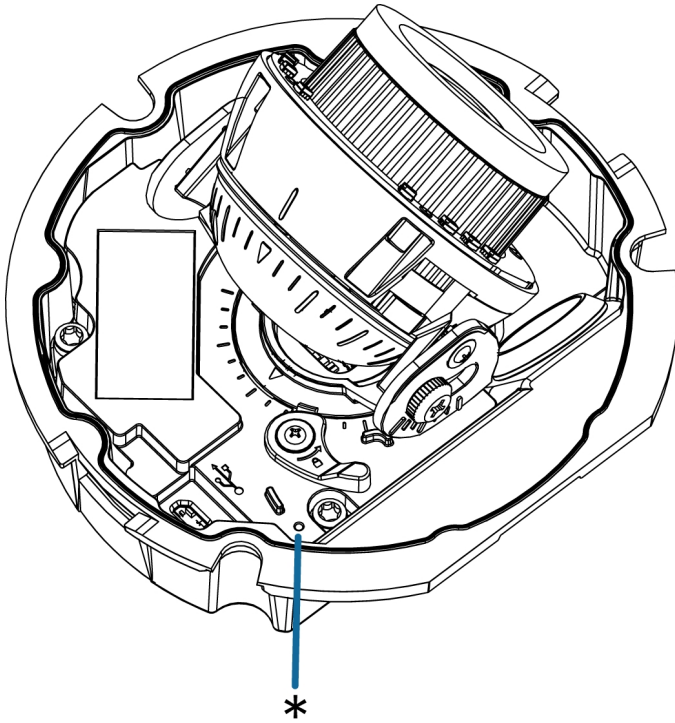


4. Lever one side of the camera base out of the clip.
5. Lift the camera base out of the adapter.

Resetting to Factory Default Settings

If the camera no longer functions as expected, you can choose to reset the camera to its factory default settings.

Use the firmware revert button to reset the camera. The firmware revert button is shown in the following diagram:



1. Ensure the camera is powered on.
2. Using a straightened paperclip or similar tool, gently press and hold the firmware revert button.
3. Release the button after three seconds.



CAUTION — Do not apply excessive force. Inserting the tool too far will damage the camera.

Setting the IP Address Using the ARP/Ping Method

Complete the following steps to configure the camera to use a specific IP address:

NOTE: The ARP/Ping Method will not work if the **Disable setting static IP address through ARP/Ping method** check box is selected in the camera's web browser interface. For more information, see the *Avigilon™ High Definition H.264 Web Interface User Guide*.

1. Locate and copy down the MAC Address (MAC) listed on the Serial Number Tag for reference.
2. Open a Command Prompt window and enter the following commands:
 - a. `arp -s <New Camera IP Address> <Camera MAC Address>`
For example: `arp -s 192.168.1.10 00-18-85-12-45-78`
 - b. `ping -l 123 -t <New Camera IP Address>`
For example: `ping -l 123 -t 192.168.1.10`
3. Reboot the camera.
4. Close the Command prompt window when you see the following message:

Reply from <New Camera IP Address>: ...

Specifications

| Camera | |
|--|--|
| Lens | 3-9 mm, motorized, varifocal |
| USB Port | USB 2.0 |
| SD Storage | microSD/microSDHC/microSDXC slot – minimum class 6; class 10/UHS-1 or better recommended |
| Network | |
| Network | 100Base-TX |
| Cabling Type | CAT5 |
| Connector | RJ-45 |
| API | ONVIF® compliance version 1.02, 2.00, Profile S (www.onvif.org) |
| Device Management Protocols | SNMP v2c SNMP v3 |
| Security | Password protection, HTTPS encryption, digest authentication, WS authentication, user access log, 802.1x port based authentication |
| Streaming Protocols | IPv4, HTTP, HTTPS, SOAP, DNS, NTP, RTSP, RTCP, RTP, TCP, UDP, IGMP, ICMP, DHCP, Zeroconf, ARP, RTP/UDP, RTP/UDP multicast, RTP/RTSP/TCP, RTP/RTSP/HTTP/TCP, RTP/RTSP/HTTPS/TCP, HTTP |
| Mechanical — dome camera and mounting adapter | |
| Dimensions L x W x H | 174 mm x 174 mm x 162 mm; (6.9" x 6.9" x 6.4") Installed profile from ceiling— 174 mm x 174 mm x 66 mm; (6.9" x 6.9" x 2.6") |
| Max. Ceiling Thickness | 32 mm (1.25") |
| Weight | H4SL-D — 0.75 kg (1.65 lbs) H4SL-DO — 0.77 kg (1.69 lbs) |
| Dome Bubble | Polycarbonate, clear |
| Body | Polycarbonate |
| Housing | In-ceiling H4SL-D — tamper resistant H4SL-DO — vandal resistant |
| Finish | Fog coat, cool grey |
| Adjustment Range | 360° pan, 30° – 95° tilt, ±180° azimuth |
| Electrical | |
| Power Consumption | H4SL-D — 4 W max H4SL-DO — 7 W max |
| Power Source | PoE: IEEE802.3af Class 3 compliant |

| | |
|---------------------------------|---|
| RTC Backup Battery | 3V manganese lithium |
| Environmental | |
| Operating Temperature | H4SL-D — 0 °C to 55 °C (32 °F to 131 °F) H4SL-DO — -30 °C to 60 °C (-22 °F to 140 °F) |
| Storage Temperature | -10 °C to +70 °C (14 °F to 158 °F) |
| Humidity | 0-95% non-condensing |
| Certifications | |
| Certifications | UL cUL CE ROHS WEEE RCM EAC KC |
| Safety | UL 60950-1 CSA 60950-1 IEC/EN 60950-1 IEC 62471 |
| Environmental (H4SL-DO only) | IK10 Impact Rating Meets IEC 60529 IP66 Weather Rating IEC/UL/CSA 60950-22 |
| Electromagnetic Emissions | FCC Part 15 Subpart B Class B EN 55022 Class B EN 55032 IC ICES-003 Class B EN 61000-6-3 EN 61000-3-2 EN 61000-3-3 KN 32 |
| Electromagnetic Immunity | EN 55024 EN 61000-6-1 EN 50130-4 KN 35 |

Limited Warranty and Technical Support

Avigilon warranty terms for this product is provided at [avigilon.com/warranty](https://www.avigilon.com/warranty).

Warranty service and technical support can be obtained by contacting Avigilon Technical Support: [avigilon.com/contact-us/](https://www.avigilon.com/contact-us/).