

H4 Thermal Elevated Temperature Detection (ETD) Solution

VGA

The Avigilon H4 Thermal Elevated Temperature Detection camera is embedded with edge-based analytics to detect faces, measure the temperature of the inner canthus region, and notify operators if individuals exhibit indications of elevated body temperature. It is designed to intelligently focus on a subject's face, ignoring irrelevant temperature signatures from surrounding sources. The temperature reading displays prominently over the bounding box on the detected face, highlighting elevated temperature events with a red bounding box.

This security-grade thermal camera, coupled with a blackbody uniform temperature source, provides a low friction, contactless alternative to traditional screening methods. The solution enables high-throughput pre-screening of people to detect indications of elevated body temperature. The blackbody device acts as an absolute temperature reference point for the thermal camera.

Built to work seamlessly with Avigilon Control Center (ACCTM), elevated temperature events can be configured in ACC along with complete end-to-end workflows for monitoring, assigning and acknowledgement of elevated temperature alarms. Powerful search tools enable you to quickly search through recorded video for elevated temperature events, so you can take action with an informed response.



Features



AUDIO CAPABILITIES

Available ports for external audio including sirens, microphones and/or loudspeakers for audio talk-down situations.



RELAY I/O CONNECTIONS

Configure input/output actions and alarms for fast event response.



HDSM SMARTCODECTM TECHNOLOGY

Optimizes compression levels for regions in a scene to help maximize bandwidth savings, helping to keep internet connectivity costs down.



MADE IN NORTH AMERICA

Manufactured with North American* expertise and globally-sourced parts, to enable product quality control and accelerate the speed at which we go from innovation, to prototyping, to final product and delivery.

* With manufacturing facilities in both the United States and Canada, our "Made In North America" claim only applies to products from our Plano, Texas and Richmond, British Columbia facilities.

General Specifications

Accuracy (Camera + Blackbody)	±0.5 °C (±0.9 °F) for ambient temperature 18 °C – 25 °C (65 °F – 77 °F)
Operating Temperature	18 °C to 25 °C (65 °F to 77 °F)

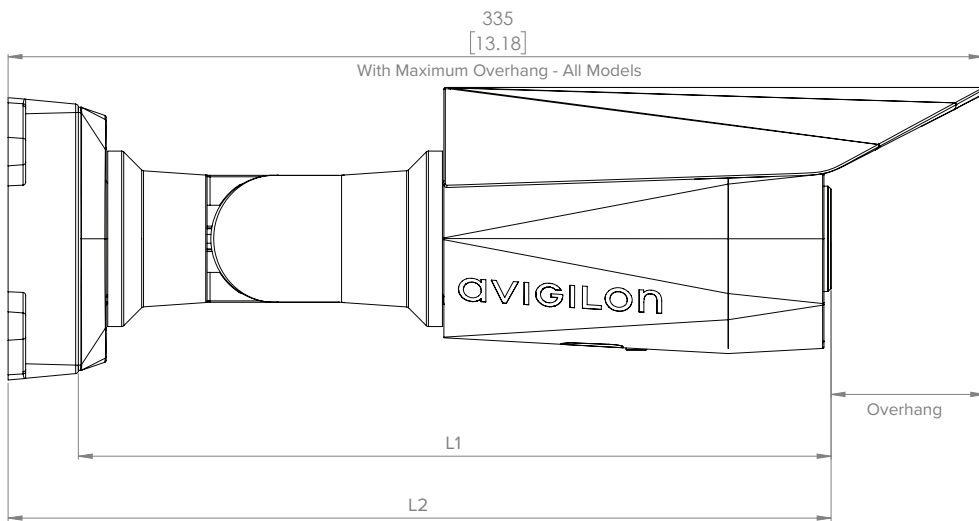
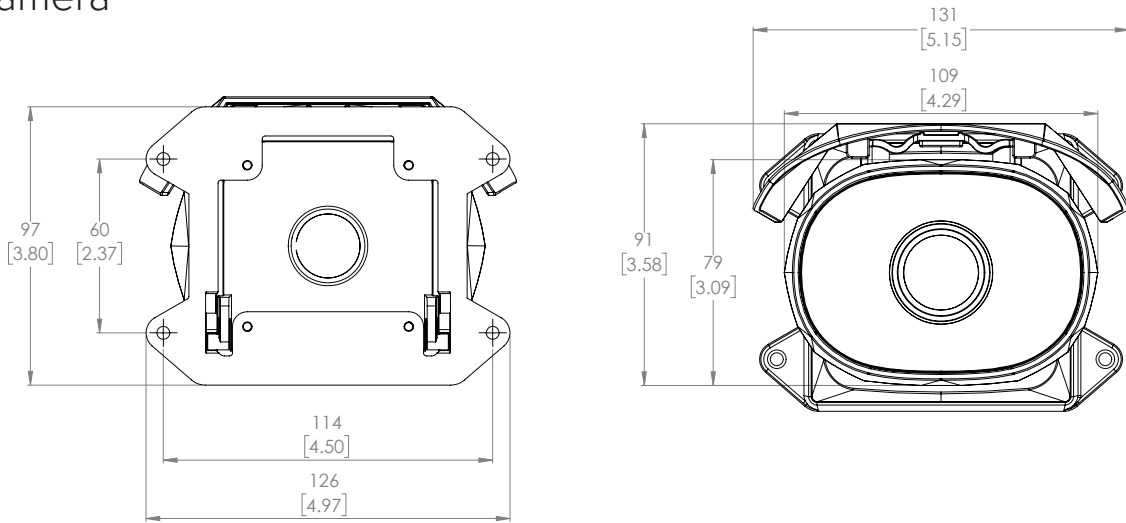
Camera Specifications

IMAGE PERFORMANCE	Image Sensor	640x512 Uncooled VOx Microbolometer	
	Pixel Pitch	12µm	
	Spectral Range	8µm to 14µm	
	Aspect Ratio	5:4	
	Imaging Rate	8.6 fps	
	Sensitivity	NETD <60mK	
	Image Uniformity Optimization Automatic Flat Field Correction (FFC)	Thermal and Temporal	
LENS	Lens	8.7 mm, F1.0, Athermalized	
	Angle of View (H x V)	50.7° x 40.4°	
IMAGE CONTROL	Image Compression Method	H.264 (MPEG-4 Part 10/AVC), Motion JPEG, HDSM SmartCodec Technology	
	Streaming	Multi-stream H.264 & MJPEG	
	Bandwidth Management	Idle Scene Mode, HDSM SmartCodec Technology	
	Privacy Zones	Up to 64 Zones	
	Audio Compression Method	G.711 PCM 8kHz	
NETWORK	Network	100BASE-TX	
	Cabling Type	CAT5	
	Connector	RJ-45	
	Security	Password protection, HTTPS encryption, digest authentication, WS authentication, user access log, 802.1x port based authentication	
	Protocols	IPv6, IPv4, HTTP, HTTPS, SOAP, DNS, NTP, RTSP, RTP, TCP, UDP, IGMP, ICMP, DHCP, Zeroconf, ARP	
Streaming Protocols	RTP/UDP, RTP/UDP multicast, RTP/RTSP/TCP, RTP/RTSP/HTTP/TCP, RTP/RTSP/HTTPS/TCP, HTTP		
PERIPHERALS	USB Port	USB 2.0	
	Onboard Storage	SD/SDHC/SDXC slot – minimum class 4; class 6 or better recommended	
	External I/O Terminals	Alarm In, Alarm Out	
	Audio Input/Output	Line level input and output	
MECHANICAL	Dimensions (LxWxH)	335 mm x 126 mm x 91 mm; 13.18" x 4.97" x 3.58" (including mounting bracket and fully extended sunshield overhang)	
	Weight	Camera	1.72 kg (3.79 lbs)
		Mounting Bracket	0.21 kg (0.46 lbs)
	Body	Aluminium	
	Housing	Surface mount, tamper resistant	
	Finish	Powder coat, RAL 9003	
	Adjustment Range	±175° pan, ±90° tilt, ±175° azimuth	
ELECTRICAL	Power Consumption	9W	
	Power Source	VDC: 12V +/- 10%, 9W min. VAC: 24V +/- 10%, 15VA min. PoE: IEEE802.3af Class 3 compliant	
	RTC Backup Battery	3V manganese lithium	
ENVIRONMENTAL	Storage Temperature	-10 °C to +70 °C (14 °F to 158 °F)	
	Humidity	0 - 93% non-condensing	
CERTIFICATIONS	Certifications/Directives	UL, cUL, CE, ROHS, Reach (SVHC)	
	Safety	UL 62368-1, CSA 62368-1, IEC/EN 62368-1	
	Environmental	IK10 Impact Rating (enclosure only)	
	Electromagnetic Emissions	FCC Part 15 Subpart B Class B, IC ICES-003 Class B, EN 55032 Class B, EN 61000-6-3, EN 61000-3-2, EN 61000-3-3	
	Electromagnetic Immunity	EN 55024, EN 61000-6-1	
SUPPORTED VIDEO ANALYTIC EVENTS	Object with Elevated Temperature	This event is triggered when an elevated temperature at or above the threshold is detected by the camera.	
	Object with Expected Temperature	This event is triggered when a temperature within the acceptable range is detected by the camera.	
	Object with Lower Temperature	This event is triggered when a lower temperature at or below the threshold is detected by the camera.	
SUPPORTED CLASSIFIED OBJECT TYPES	Object Types	Face detection	
	COMPATIBLE AVIGILON CONTROL CENTER (ACC) VERSIONS	ACC VERSION 7.10.x or higher	
	SUPPORTED FEATURES	Temperature overlay on detected face and elevated temperature alerts.	

Outline Dimensions

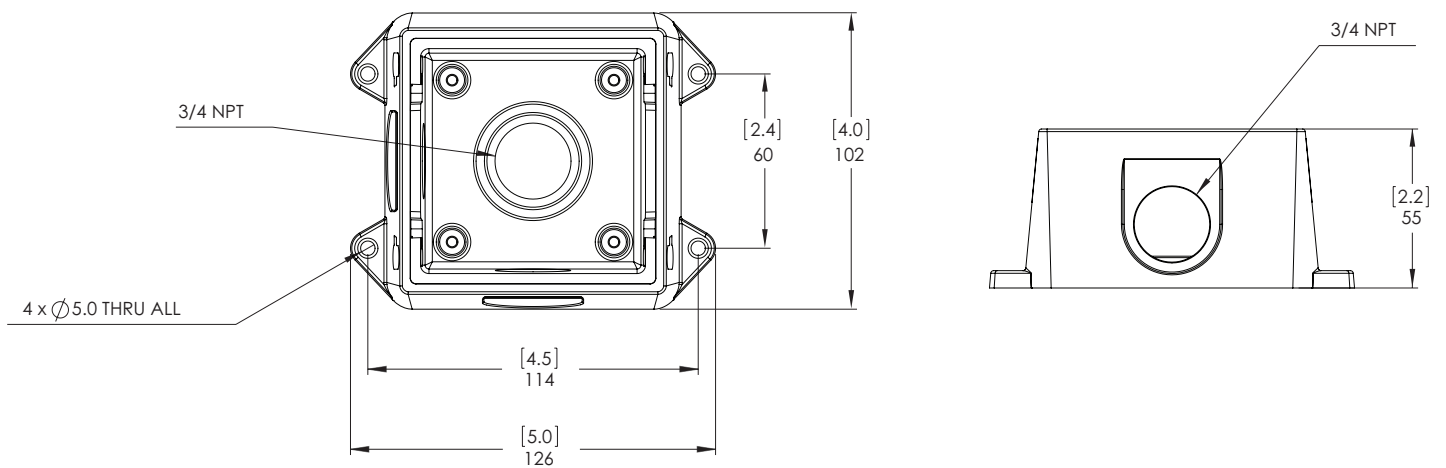
Camera

X	MM
[X.X]	INCHES



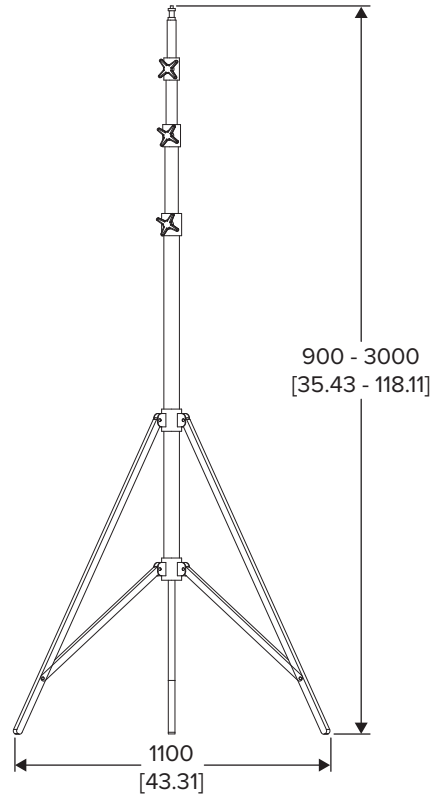
L1	L2
257 mm (10.14")	281 mm (11.08")

Junction Box



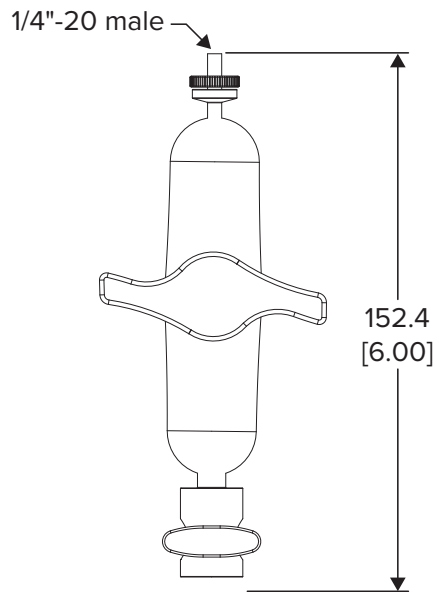
Outline Dimensions

Tripod



X	MM
[X.X]	INCHES

Tilt Adapter



Ordering Information

H4A-ETD-KIT

H4 Thermal Elevated Temperature Detection Solution: 640x512 Thermal bullet camera, blackbody, tripod x 2, (optional) tilt adapter x 2