

# H4 SL Bullet Camera with LightCatcher<sup>™</sup> Technology

The H4 SL camera line has an innovative and modular design that is easy to install. Built on the H4 platform, it combines our patented LightCatcher and Wide Dynamic Range (WDR) technologies to provide exceptional image quality in complex lighting. Using HDSM SmartCodec<sup>™</sup> and idle scene mode technologies, the H4 SL camera optimizes video streams in real time, minimizing bandwidth and storage requirements while maintaining clear, detailed images. It integrates with Avigilon Control Center<sup>™</sup> video management software (VMS), and is ONVIF-compliant for integration with a third-party VMS. With significant improvements to bandwidth savings and lower storage retention, as well as its easy-to-install, modular design, the H4 SL camera line adds even more value than before, lowering your total cost of ownership.



Straight out of the box, the H4 SL camera is designed and packaged for simple ordering and quick and flexible installation. The discreet and modular design of this camera line allows it to seamlessly fit in to its surroundings. Bullet models have interchangeable brackets for maximum flexibility in mounting options, they can be vertically or horizontally-mounted with a versatile sunshade for unobstructed views.

The H4 SL camera's IK10-rated, vandal-resistant and IP66 dust and water-resistant housing make it ideal for monitoring a variety of indoor and outdoor environments, such as hallways, public entrances and lobbies of banks, schools, retail outlets and hotels.

Avigilon HDSM SmartCodec technology H4 SL optimizes the video stream in real time using automatic ROI encoding to save bandwidth and storage requirements while maintaining image quality.

## KEY FEATURES

- 1.3, 2.0 and 3.0 megapixel resolution models
- Innovative modular design for quick and easy installation
- 3-9 mm F/1.4 lens with remote zoom and focus
- Content adaptive IR technology provides effective illumination through the field of view, while maintaining exceptional scene illumination
- Wi-Fi camera configuration support
- Avigilon LightCatcher technology provides exceptional image quality in low light environments
- Dual exposure Wide Dynamic Range for complex lighting environments
- Integrated IR (Infrared) LEDs provide uniform illumination in the dark, even at 0 lux, up to maximum of 15m (~50ft) away (outdoor model only)
- Avigilon HDSM SmartCodec technology for reduce bandwidth and storage requirements
- Idle scene mode lowers bandwidth and storage usage if there are no motion events detected in the scene
- IK10 vandal resistant construction and IP66 compliant
- Avigilon HDSM SmartCodec technology for reduce bandwidth and storage requirements

# Specifications

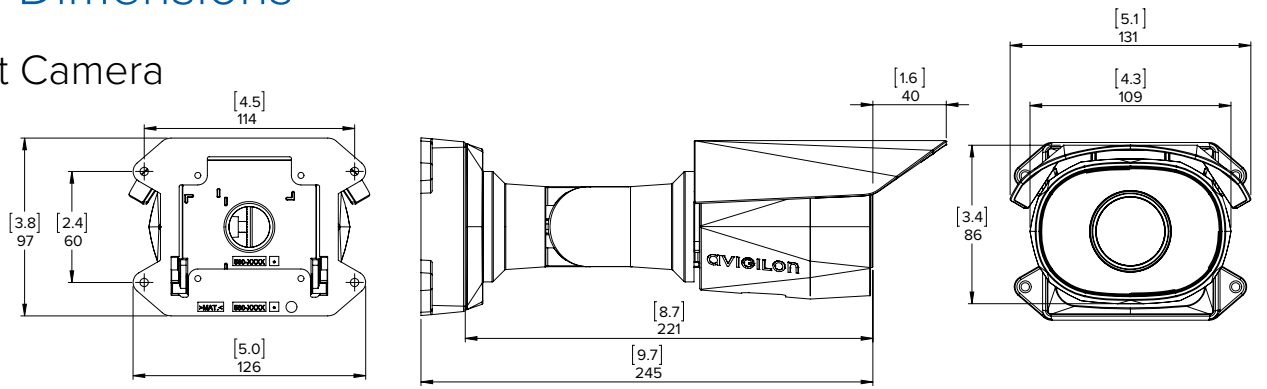
		1.3 MP	2.0 MP	3.0 MP	
<b>IMAGE PERFORMANCE</b>	Image Sensor	1/2.8" progressive scan CMOS			
	Aspect Ratio	5:4	16:9	4:3	
	Active Pixels (H x V)	1280 x 1024	1920 x 1080	2048 x 1536	
	Imaging Area (H x V)	3.7 mm x 3.0mm; 0.145" x 0.118"	5.6 mm x 3.1 mm; 0.22" x 0.122"	5.12 mm x 3.84 mm; 0.202" x 0.157"	
	Imaging Rate	30 fps	30 fps	20 fps	
	IR Illumination (high power 850 nm LEDs)	15 m (50 ft) max. distance at 0 lux			
	Minimum Illumination	0.01 lux (F/1.4) in color mode; 0 lux (F/1.4) in monochrome mode with IR		0.02 lux in color mode; 0 lux (F/1.4) in monochrome mode with IR	
	Dynamic Range	100 dB			
	Resolution Scaling	Down to 384 x 216			
	Bandwidth Management	HDSM SmartCodec technology; Idle scene mode			
	3D Noise Reduction Filter	Yes			
	<b>LENS</b>	Lens	F/1.4, 3-9 mm, motorized, varifocal		
(Aspect ratio) HFoV		(5:4) 26° – 60°; (16:9) 39° – 90°		(5:4) 36° – 84°; (16:9) 39° – 90°; (4:3) 39° – 90°	
<b>IMAGE CONTROL</b>	Image Compression Method	H.264 (MPEG-4 Part 10/AVC), Motion JPEG			
	Streaming	Multi-stream H.264 and Motion JPEG			
	Video Compression	H.264/MJPEG/HDSM SmartCodec technology			
	Motion Detection	Pixel			
	Tamper Detection	Yes			
	Electronic Shutter Control	Automatic, Manual (1/6 to 1/8000 sec)			
	Iris Control	Automatic, Manual			
	Day/Night Control	Automatic, Manual			
	Flicker Control	50 Hz, 60 Hz			
	White Balance	Automatic, Manual			
	Backlight Compensation	Adjustable			
	Privacy Zones	Up to 64 zones			
	<b>NETWORK</b>	Network	100BASE-TX		
Cabling Type		CAT5			
Connector		RJ-45			
ONVIF		ONVIF compliant with version 1.02, 2.00, Profile S			
Security		Password protection, HTTPS encryption, digest authentication, WS authentication, user access log, 802.1x port based authentication			
Protocols		IPv6, IPv4, HTTP, HTTPS, SOAP, DNS, NTP, RTSP, RTCP, RTP, TCP, UDP, IGMP, ICMP, DHCP, Zeroconf, ARP			
Streaming Protocols		RTP/UDP, RTP/UDP multicast, RTP/RTSP/TCP, RTP/RTSP/HTTP/TCP, RTP/RTSP/HTTPS/TCP, HTTP			
Device Management Protocols		SNMP v2c, SNMP v3			
<b>PERIPHERALS</b>		USB Port	USB 2.0		
		Onboard Storage	microSD/microSDHC/microSDXC slot – minimum class 6; class 10/UHS-1 or better recommended		
<b>MECHANICAL</b>	Dimensions (LxWxH)	285 mm x 131 mm x 97mm; 11.2" x 5.1" x 3.8" (including mounting bracket)			
	Weight Camera:	1.29 kg (2.84 lbs)			
	Mounting Bracket:	0.21 kg (0.46 lbs)			
	Body	Aluminum			
	Housing	Surface mount, tamper resistant, vandal resistant			
	Finish	Powder coat, cool grey			
Adjustment Range	±175° pan, ±90° tilt, ±175° azimuth				
<b>ELECTRICAL</b>	Power Consumption	9W max			
	Power Source	PoE: IEEE802.3af Class 3 compliant			
	RTC Backup Battery	3V manganese lithium			
<b>ENVIRONMENTAL</b>	Operating Temperature	-30 °C to +60 °C (-22 °F to 140 °F)			
	Storage Temperature	-10 °C to +70 °C (14 °F to 158 °F)			
	Humidity	0 - 95% non-condensing			
<b>CERTIFICATIONS</b>	Certifications/Directives	UL, cUL, CE, ROHS, WEEE, RCM, EAC, KC, BIS			
	Safety	UL 60950-1, CSA 60950-1, IEC/EN 60950-1, IEC 62471			
	Environmental	IK10 Impact Rating, UL/CSA/IEC 60950-22, IEC 60529 IP66 Rating			
	Electromagnetic Emissions	FCC Part 15 Subpart B Class B, IC ICES-003 Class B, EN 55032 Class B, EN 55032 Class B, EN 61000-6-3, EN 61000-3-2, EN 61000-3-3, KN 32, EN 55011			
	Electromagnetic Immunity	EN 50121-4, EN 55024, EN 61000-6-1, EN 50130-4, KN 35			

# Outline Dimensions

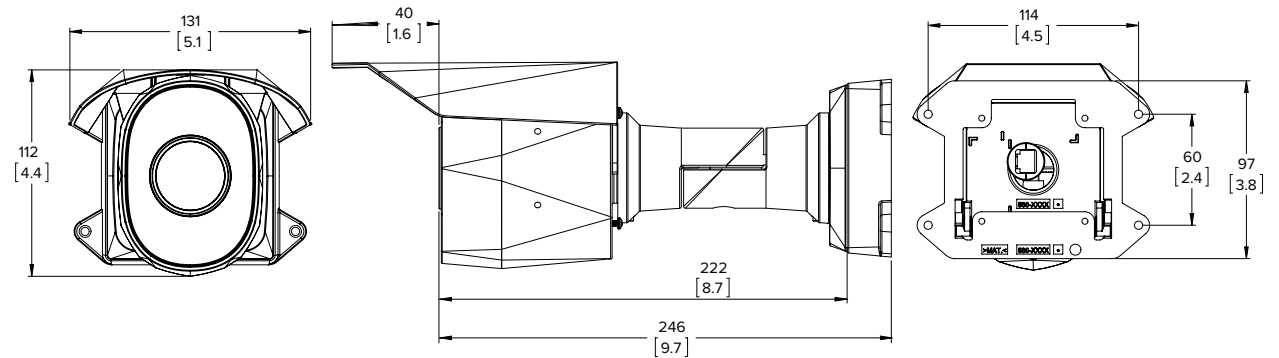
## HD Bullet Camera

(H4SL-BO-IR)

LANDSCAPE  
MODE

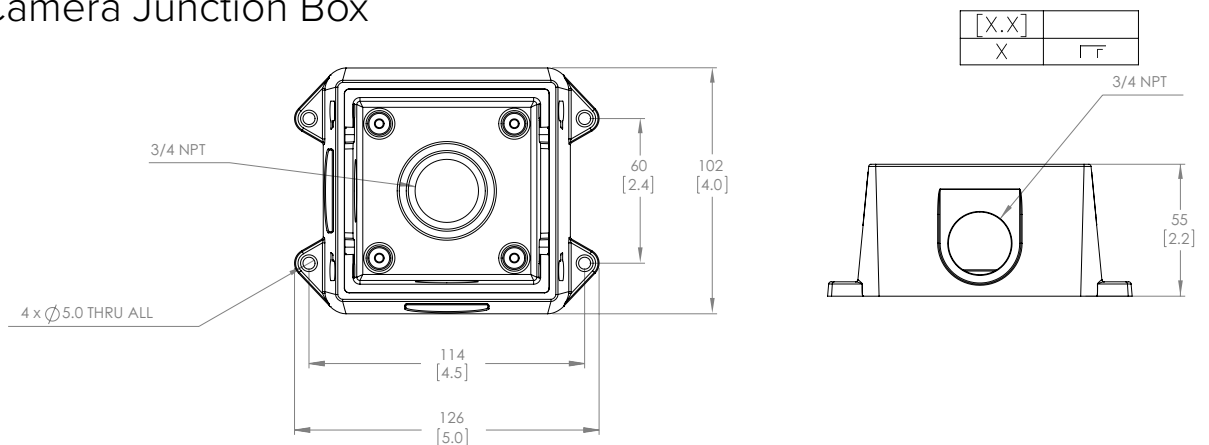


HALLWAY  
MODE



## HD Bullet Camera Junction Box

(H4-BO-JBOX1)



# Ordering Information

	MP	WDR	LightCatcher Technology	Lens	IR	IP66	HDSM SmartCodec
1.3C-H4SL-BO1-IR	1.3	✓	✓	3 - 9 mm	✓	✓	✓
2.0C-H4SL-BO1-IR	2.0	✓	✓	3 - 9 mm	✓	✓	✓
3.0C-H4SL-BO1-IR	3.0	✓	✓	3 - 9 mm	✓	✓	✓
H4-BO-JBOX1	Junction box for H4 HD and H4 SL bullet cameras						
H4-MT-POLE1	Aluminum pole mounting bracket						
H4-MT-CRNR1	Aluminum corner mounting bracket						
H4-AC-WIFI2-NA	USB Wi-Fi adapter						
H4-AC-WIFI2-EU	USB Wi-Fi adapter						