

H5A DUAL HEAD CAMERA

2x3MP

2x5MP

This cost-effective and low profile dual-sensor camera brings enhanced security to any site by increasing coverage and minimizing blind spots for those hard to secure areas. Built with small spaces in mind, the H5A Dual Head provides areas such as hallways, stairwells, and corner intersections, or any application that requires the coverage of two cameras installed in close proximity with high imaging quality, even with its small footprint. The H5A Dual Head camera's advanced analytic capabilities further improve situational awareness by enabling security teams to respond swiftly to potentially critical events.



FEATURES



NEXT-GENERATION VIDEO ANALYTICS

Detects more objects with expanded object classifications and greater accuracy for faster responses, even in crowded scenes.



COVID-19 RESPONSE TECHNOLOGY

Features Avigilon video analytics for Occupancy Counting and No Face Mask Detection, supporting facilities' health and safety efforts to curb the spread of COVID-19.



ONVIF® COMPLIANT

Native ONVIF Profile S, T and G¹ compliance allows easy integration with existing ONVIF infrastructures.



IMPROVED COVERAGE, MINIMAL BLIND SPOTS

Provides increased area coverage, while minimizing blind spots for enhanced security with a single camera installation, for long hallways, L-shaped hallway intersections, or stairwells to monitor both up and down staircases.



COST-EFFECTIVE

As a dual-head sensor, sites can lower their overall deployment costs by reducing camera count, network infrastructure, power and cabling, installation labor, and VMS licensing costs.



FIPS 140-2 COMPLIANT

Brings increased data security with FIPS-compliant cryptography enabled on cameras².

ONVIF is a trademark of Onvif, Inc.

¹ ONVIF Profile G will be available post-launch. At this time, the H5A Dual Head will support the search, playback, and retrieval of video recordings on the edge.

² Optional purchase of FIPS Level 1 camera license or CRYPTR microSD hardware-based encryption and key management for FIPS Level 3 support and certification.

SPECIFICATIONS

| IMAGE PERFORMANCE | | 2 × 3.0 MP | 2 × 5.0 MP |
|---|------------------------|---|-------------------|
| Image Sensor | | 1/2.7" progressive scan CMOS | |
| Max Resolution (H x V) and Aspect Ratio | | (4:3) 2048 x 1536 | (4:3) 2592 x 1944 |
| 2x Image Sensor, Max Resolution | | 4096 x 1536 | 5184 x 1944 |
| Dynamic Range | WDR Off: | Up to 82 dB | |
| | WDR On: | Up to 120 dB | |
| Max Image Rate (60 Hz/50 Hz) | Analytics ¹ | 24 / 25 fps | 15 / 12.5 fps |
| | High Framerate mode | 30 / 25 fps | 24 / 20 fps |
| Bandwidth Management | | HDSM SmartCodec technology; Idle scene mode | |
| 3D Noise Reduction Filter | | Yes | |

¹ Maximum image rate with analytics enabled on all sensors.

| LENS AND IR ILLUMINATION | |
|--|--|
| Lens | 3.35 - 7.0 mm, F/1.93 remote focus and zoom |
| IR Illumination Max Distance ² (high power 850 nm LEDs) | Wide: 15 m (49 ft) Tele: 30 m (98 ft) |
| Minimum Illumination | 0.1 lux in color mode, 0.05 lux in monochrome mode, 0 lux with IR on |
| Horizontal Angle of View | 43° – 91° |
| Vertical Angle of View | 32° – 67° |

² IR illumination power may be reduced at higher operating temperatures.

| IMAGE CONTROL | |
|----------------------------|---|
| Image Compression Method | H.264 HDSM SmartCodec, H.265 HDSM SmartCodec, Motion JPEG |
| Streaming | Multi-stream H.264, Multi-stream H.265, Motion JPEG |
| Motion Detection | Pixel motion: Selectable sensitivity and threshold. Classified object detection |
| Camera Tamper Detection | Yes, when analytics are enabled |
| Electronic Shutter Control | Automatic, Manual (1/7.5 to 1/8000 sec) |
| Iris Control | N/A |
| Day/Night Control | Automatic, Manual |
| Flicker Control | 50 Hz, 60 Hz |
| White Balance | Automatic, Manual |
| Backlight Compensation | Adjustable |
| Privacy Zones | Up to 64 zones |

| NETWORK | |
|-----------------------------|--|
| Network | 100BASE-TX, RJ45 Connector, CAT5e Cabling |
| ONVIF | ONVIF compliance version Profile S and Profile T (www.onvif.org) |
| Security | Password protection, HTTPS encryption, digest authentication, WS authentication, user access log, 802.1x port based authentication, FIPS 140-2 L1 (with optional camera license) |
| Protocols | IPv6, IPv4, HTTP, HTTPS, SOAP, DNS, NTP, RTSP, RTCP, RTP, TCP, UDP, IGMP, ICMP, DHCP, Zeroconf, ARP, HSTS |
| Streaming Protocols | RTP/UDP, RTP/UDP multicast, RTP/RTSP/TCP, RTP/RTSP/HTTP/TCP, RTP/RTSP/HTTPS/TCP, HTTP |
| Device Management Protocols | SNMP v2c, SNMP v3 |

| PERIPHERALS | |
|-----------------|---|
| USB Port | USB 2.0 |
| Onboard Storage | 2 x microSD/microSDHC/microSDXC slots – video speed class card required. Class V10 or better recommended. |

AUXILIARY I/O

| | |
|--------------------------|-----------------------------|
| Audio Compression Method | Opus, G.711 PCM 8 kHz |
| Audio Input/Output | Line level input and output |
| External I/O Terminals | Alarm In, Alarm Out |

| MECHANICAL | DIRECT SURFACE MOUNT | SURFACE MOUNT WITH JUNCTION BOX | PENDANT MOUNT WITH NPT ADAPTER | PENDANT MOUNT WITH NPT + WALL MOUNT |
|--------------------|--|---|---|--|
| Dimensions (LxWxH) | 218 mm x 118 mm x 82 mm; 8.6" x 4.6" x 3.2" | 237 mm x 136 mm x 120 mm; 9.3" x 5.4" x 4.7" | 230 mm x 129 mm x 146 mm; 9.0" x 5.0" x 5.8" | 230 mm x 260 mm x 195 mm; 9.0" x 10.2" x 7.7" |
| Weight | 1.25 kg (2.75 lbs) | 2.33 kg (5.13 lbs) | 1.67 kg (3.67 lbs) | 3.07 kg (6.75 lbs) |
| Body | Aluminum | | | |
| Finish | Cast, powder coated, close to RAL9002 | | | |
| Adjustment Range | Pan: 180°, Azimuth: 360°, Tilt: 30° – 95° tilt (recommended), 10° – 95° tilt (maximum) | | | |

ELECTRICAL

| | |
|--------------------|------------------------------------|
| Power Consumption | 13 W max (camera only) |
| Power Source | PoE: IEEE802.3af Class 3 compliant |
| RTC Backup Battery | 3V manganese lithium |
| Memory | 2 GB RAM, 512 MB Flash |

ENVIRONMENTAL

| | |
|-------------------------|--|
| Operating Temperature | -30 °C to +60 °C (-22 °F to 140 °F), in enclosed space -30 °C to +65 °C (-22 °F to 149 °F), with ambient convection Cold start delay of up to 10 min at -30 °C (-22 °F). Camera may restart during startup delay |
| IR Illuminator Behavior | IR illuminator will turn off if the temperature is 55 °C (131 °F) or higher. The illuminator will operate at 50% power if the temperature is between 45 °C (113 °F) and 54 °C (129 °F). |
| Storage Temperature | -10 °C to +70 °C (14 °F to 158 °F) |
| Humidity | 0 - 95% non-condensing |

CERTIFICATIONS

| | |
|---------------------------|--|
| Certifications/Directives | UL, cUL, CE, UKCA, ROHS, REACH, RCM |
| Safety | UL 62368-1, CSA 62368-1, IEC/EN 62368-1, IEC 62471 |
| Environmental | UL/CSA/IEC 60950-22, IEC 62262 IK10+ Impact Rating |
| Electromagnetic Emissions | FCC Part 15 Subpart B Class B, IC ICES-003 Class B, EN 55032 Class B, EN 61000-6-3, EN 61000-3-2, EN 61000-3-3, EN 50121-4 |
| Electromagnetic Immunity | EN 55035, EN 61000-6-1, EN 50130-4, EN 50121-4 |

ANALYTICS SPECIFICATIONS

SUPPORTED ANALYTICS EVENTS

| | |
|-------------------------------|--|
| Objects in Area | The event is triggered when the selected object type moves into the region of interest. |
| Object Loitering | The event is triggered when the selected object type moves into the region of interest and then stays for an extended amount of time. |
| Objects Crossing Beam | The event is triggered when the specified number of objects have crossed the directional beam that is configured over the camera's field of view. The beam can be unidirectional or bidirectional. |
| Object Appears or Enters Area | The event is triggered by each object that enters the region of interest. This event can be used to count objects. |
| Object Not Present in Area | The event is triggered when no objects are present in the region of interest. |
| Objects Enter Area | The event is triggered when the specified number of objects have entered the region of interest. |
| Objects Leave Area | The event is triggered when the specified number of objects have left the region of interest. |
| Object Stops in Area | The event is triggered when an object moves into a region of interest and then stops moving for the specified threshold time. |

SUPPORTED ANALYTICS EVENTS

| | |
|--------------------|--|
| Direction Violated | The event is triggered when an object moves in the prohibited direction of travel. |
| Tamper Detection | The event is triggered when the scene unexpectedly changes. |

SUPPORTED CLASSIFIED OBJECT TYPES

| | |
|------------------------------|--|
| Object Types in Outdoor Mode | Vehicle, sub-types: Car, Truck, Bicycle, Motorcycle, Bus Person |
| Object Types in Indoor Mode | Person |

TEACH BY EXAMPLE

| | |
|------------------|--|
| Teach By Example | Yes, when used with Avigilon Control Center™ |
|------------------|--|

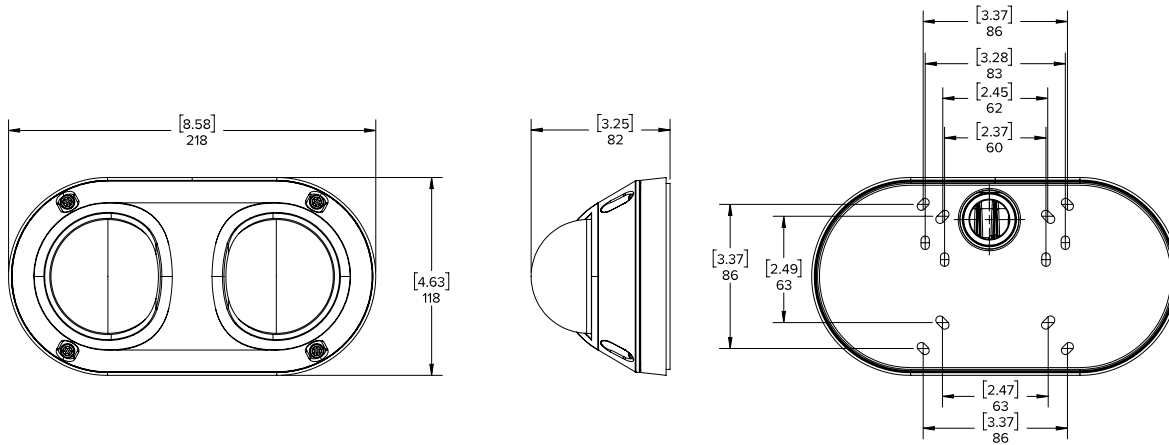
AVIGILON CONTROL CENTER (ACC) VERSIONS SUPPORTED FEATURES

| | |
|-------------------------------|---|
| ACC Version 6.14.12 or higher | All supported analytic events with two types of classified objects: person or vehicle. Appearance search when paired with appropriate server hardware. H.265 supported. |
| ACC Version 7.2 or higher | All supported analytic events with people and vehicles and all vehicle sub-types as classified objects. Appearance search when paired with appropriate server hardware. H.265 supported. |

OUTLINE DIMENSIONS

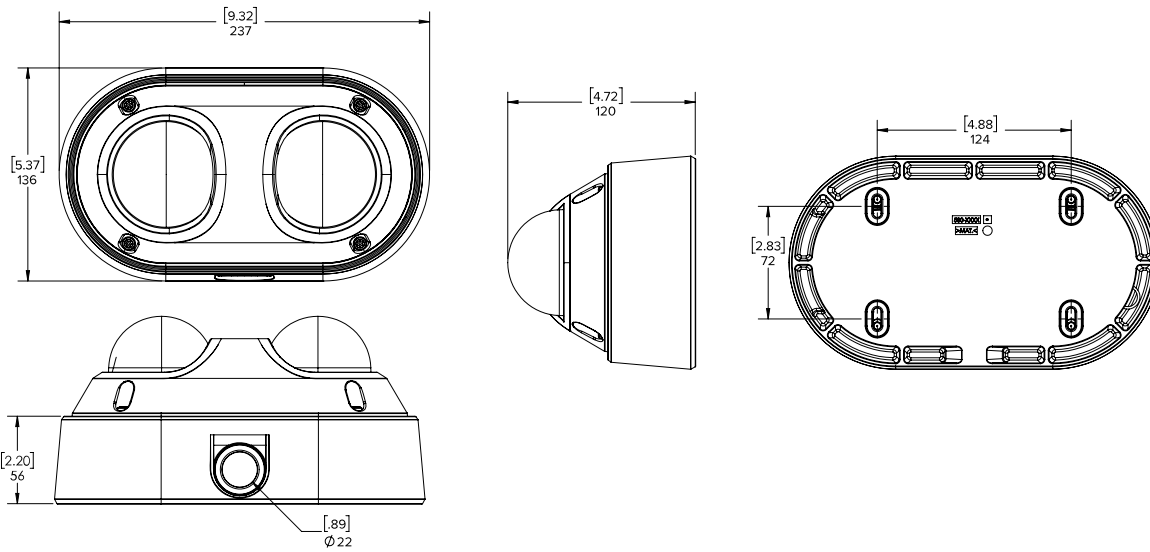
DUAL HEAD SURFACE MOUNT CAMERA (H5DH-D1-IR)

| | |
|-------|--------|
| [X.X] | INCHES |
| X | MM |



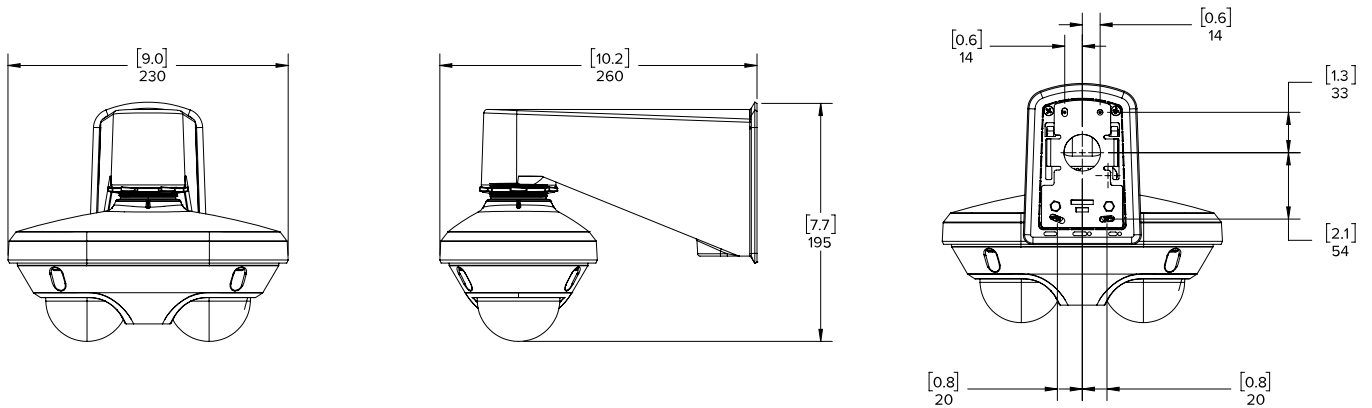
DUAL HEAD JUNCTION BOX MOUNT CAMERA
(H5DH-D1-IR WITH H5DH-DO-JBOX1 JUNCTION BOX)

| | |
|-------|--------|
| [X.X] | INCHES |
| X | MM |



DUAL HEAD PENDANT MOUNT CAMERA
(H5DH-D1-IR WITH H5DH-MT-NPTA1 ADAPTER AND CM-MT-WALL1 WALL ARM)

| | |
|-------|--------|
| [X.X] | INCHES |
| X | MM |



ORDERING INFORMATION

| | MP | WDR | ANALYTICS | LENS | IR LEDS |
|------------------|---------|-----|-----------|---------------|---------|
| 6.0C-H5DH-D1-IR | 2 × 3.0 | ✓ | ✓ | 3.35 - 7.0 mm | ✓ |
| 10.0C-H5DH-D1-IR | 2 × 5.0 | ✓ | ✓ | 3.35 - 7.0 mm | ✓ |

| | |
|---------------|--|
| H5DH-DI-CLER1 | Replacement dome cover |
| H5DH-D0-JBOX1 | Optional junction box mounting adapter |
| H5DH-MT-NPTA1 | Optional pendant NPT mounting adapter |
| CM-MT-WALL1 | Pendant wall mount arm |

OPTIONAL CAMERA LICENSES AND ACCESSORIES

| | |
|----------|--|
| CAM-FIPS | Camera license to enable FIPS Level 1 cryptographic mode on any H5A camera |
|----------|--|

SUPPORT

Learn more and find additional documentation at [avigilon.com](https://www.avigilon.com) or email asksales@avigilon.com for specific product support.



Mar 2021 | Rev 1

© 2021, Motorola Solutions, Inc. All rights reserved. MOTOROLA, MOTO, MOTOROLA SOLUTIONS, and the Stylized M Logo are trademarks or registered trademarks of Motorola Trademark Holdings, LLC and are used under license. AVIGILON, the AVIGILON logo, AVIGILON CONTROL CENTER, ACC, HDSM SmartCodec and LIGHTCATCHER are trademarks of Avigilon Corporation. The absence of the symbols™ and ® in proximity to each trademark in this document or at all is not a disclaimer of ownership of the related trademark. All other trademarks are the property of their respective owners.