

## Installing the HD NVR Analytics Kit

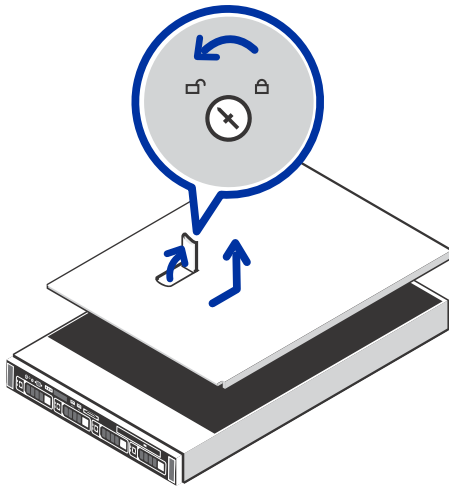
To use the Avigilon Control Center (ACC) 6 video analytics features, you need to install the recommended graphic processing unit (GPU). The GPU board is used to process video and analytics data managed by the ACC™ software.

**NOTE:** After the GPU has been configured, you must use the ACC software version 6.8.6.4 or later to be able to make use of the installed GPU.

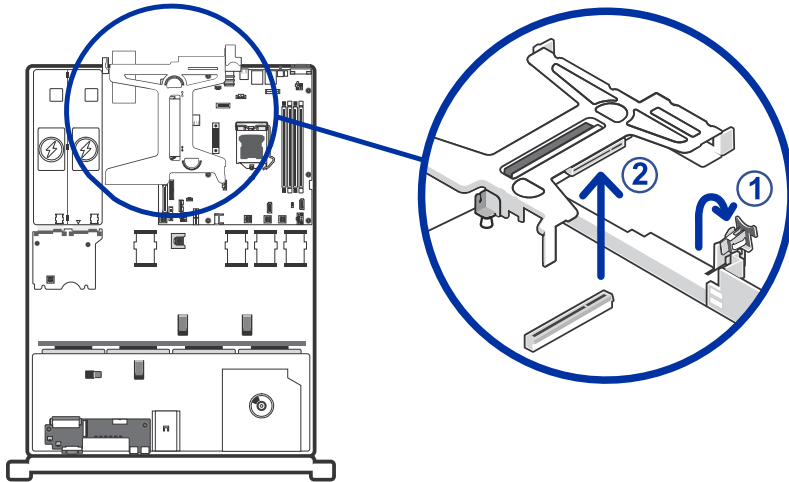
### Installing the GPU into the HD-NVR3-VAL

1. Make sure the recorder is turned off.
  - All network, power, and peripheral cables are disconnected from the recorder.
  - Use a static mat or static strap to ground yourself against static shock.
2. At the top of the recorder, unlock the latch release then lift and rotate the latch towards the back of the recorder.

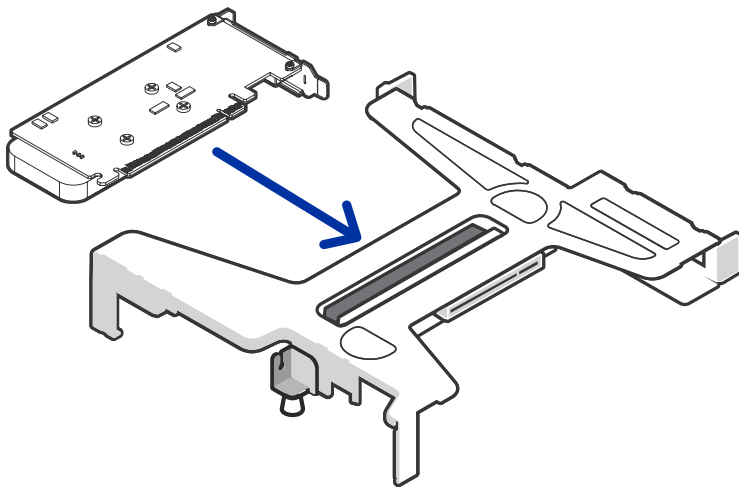
The cover slides back and is released from the recorder body.



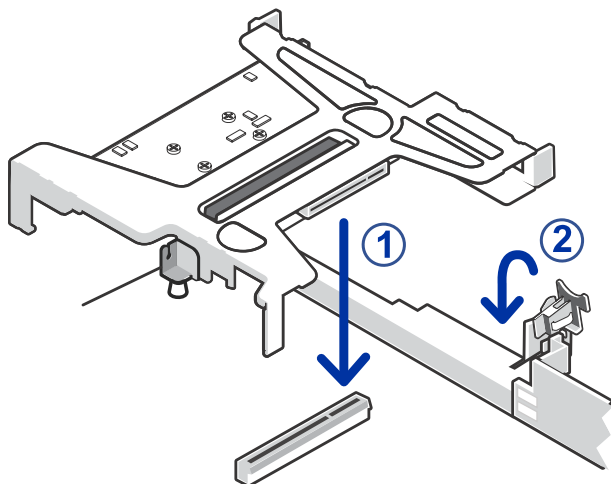
3. At the back of the recorder, locate the expansion card riser.



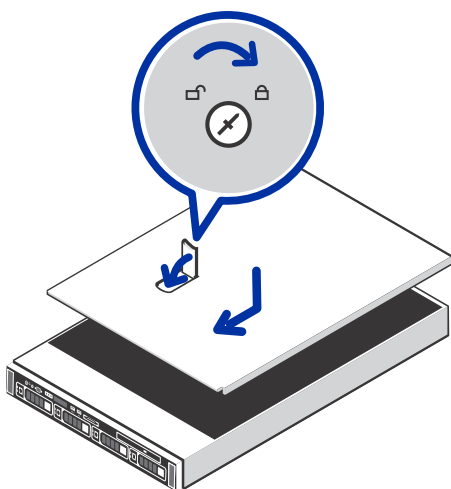
4. Lift and rotate the expansion card latch to open it.
5. Remove the expansion card riser by lifting it up from the riser connector.
6. Insert and press the GPU into the appropriate expansion riser slot.



7. Push the expansion card riser back into place and close the expansion card latch.



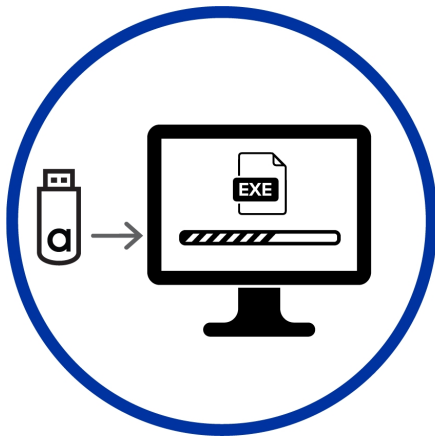
8. Close and lock the recorder cover.



9. Reconnect all the cables and turn on the recorder.

# Installing the GPU Configuration Tool

1. Insert the USB flash drive provided with the GPU.



## HD-NVR3-VAL

① Win7 | Win10

...whql.exe

② GPU Configuration Tool

GPU Configuration Tool.exe

2. From the USB flash drive, locate the folder for your operating system.

- HD-NVR3-VAL — ../Win7/ or ../Win10/

3. Right-click ...whql.exe and select **Run as administrator**.

Allow the installer to run and finish.

4. Right-click GPU Configuration Tool.exe and select **Run as administrator**.

Allow the installer to run and finish. The system will restart once the process is complete.

After the GPU has been installed and configured, you can download, install, and run the latest version of the Avigilon Control Center software.

---

© 2018, Avigilon Corporation. All rights reserved. AVIGILON, the AVIGILON logo, AVIGILON CONTROL CENTER and ACC are trademarks of Avigilon Corporation. Other names or logos mentioned herein may be the trademarks of their respective owners. The absence of the symbols ™ and ® in proximity to each trademark in this document or at all is not a disclaimer of ownership of the related trademark. Avigilon Corporation protects its innovations with patents issued in the United States of America and other jurisdictions worldwide (see [avigilon.com/patents](http://avigilon.com/patents)). Unless stated explicitly and in writing, no license is granted with respect to any copyright, industrial design, trademark, patent or other intellectual property rights of Avigilon Corporation or its licensors.

Avigilon Corporation  
avigilon.com  
PDF-QSG-GPU-A  
Revision: 1 - EN  
20180516