

Outdoor High Definition Camera Enclosure

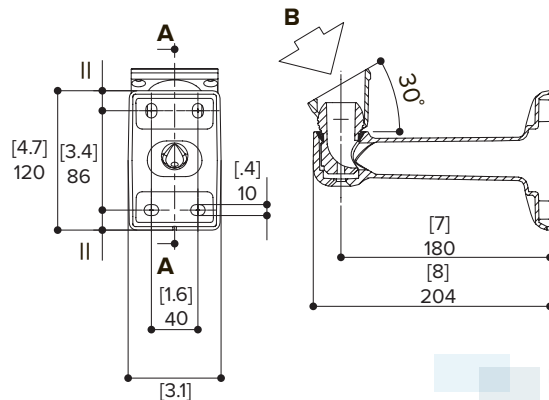
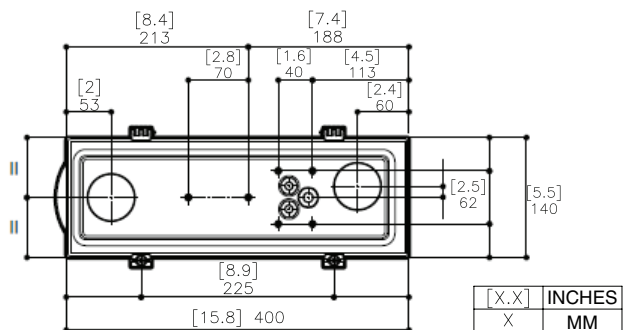
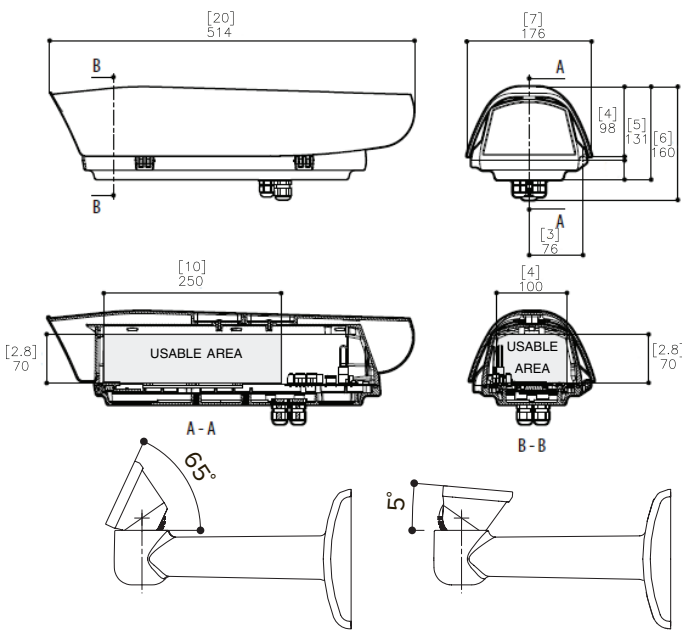


The outdoor high definition camera enclosure ensures total protection against all environmental conditions. The side opening provides easy access to the camera and cables. Included with the enclosure is the cable-managed bracket and sunshield.

The enclosure is constructed from aluminum, and the sunshield is constructed from ABS plastic for strength and durability in all applications. The enclosure also uses neoprene-rubber gaskets and sealing rings to ensure maximum weatherproofing.

KEY FEATURES

- Outdoor weatherproof enclosure for H.264 HD Cameras and HD Pro Cameras
- Glass window offers excellent image quality
- Includes cable managed bracket and sunshield
- Heating or cooling options available
- Compatible with optional PoE + power module
- Finished in RAL 9002 color



Specifications

MECHANICAL	Dimensions (W x H x L)	176 mm x 160mm x 514 mm (6.9" x 6.3" x 20.2")
	Internal usable area (W x H x L):	100 mm x 70 mm x 250 mm (4.6" x 2.7" x 9.8")
	Weight:	4.3 kg (9.5 lbs)
	Window Material	Glass
	Finish	RAL 9002

ELECTRICAL	Power Consumption	20 W — ES-HD-HWS 4 W — ES-HD-CWS
	Power Source	VDC: 12 V VAC: 24 V

ENVIRONMENTAL		ES-HD-HWS	ES-HD-CWS
	Supported Camera and Operating Temperature		H.264 HD cameras (H3-B): -13°C to 40°C (9°F to 104°F) JPEG2000 HD PRO cameras (HD-PRO): -17°C to 35°C (1°F to 95°F) H.264 HD PRO cameras (H4PRO-B): -15°C to 37°C (5°F to 99°F)
Heater Operation		On: 15°C ±3°C (59°F ±5°F) Off: 22°C ±3°C (71°F ±5°F)	n/a
Cooler Operation		n/a	On: 35°C ±3°C (95°F ±5°F) Off: 20°C ±3°C (71°F ±5°F)

CERTIFICATIONS	Safety	CE EN 60950-1	EN50130-4 EN61000-6-3
	Environmental	IP66 – ES-HD-HWS IP44 – ES-HD-CWS	Resistant to 1000 hours of salt fog testing (ISO9227)

AVAILABLE ACCESSORIES	ES-HD-IPM	PoE+ input power module retrofit kit.
	ES-HD-MNT-PAR	Parapet mounting arm
	ES-HD-MNT-POLE-LG	Large pole mount adapter
	ES-HD-MNT-POLE-MD	Medium pole mount dual camera adapter
	ES-HD-MNT-POLE-SM	Small pole mount dual camera adapter bracket
	ES-HD-MNT-ARM	Ceiling mounting arm
	ES-HD-MNT-CORNER	Corner mount adapter, compatible with supplied ball joint bracket
	ES-HD-MNT-PLATE	Reinforcing support wall plate, second camera mounting point for ES-HD-MNT-POLE-MD

ORDERING INFORMATION	ES-HD-HWS	Outdoor, weatherproof enclosure with heater
	ES-HD-CWS	Outdoor weatherproof enclosure with cooling fan

