

H5M Outdoor Dome Camera

2 MP

5 MP

The Avigilon H5M camera provides a cost-effective solution for budget-conscious video surveillance projects and is beneficial for sites that require a small footprint camera for outdoor use.

The H5M camera can handle tough environmental conditions while offering advanced AI technology for faster response times and simple installation — all backed by the Avigilon made-to-trust quality guarantee of a 5-year warranty.



Features



UNUSUAL MOTION DETECTION

Uses AI to notify you of unusual events that might otherwise have been missed, offering increased situational awareness and helping you effectively monitor more cameras.



H.265 AND H.264 WITH HDSM SMARTCODEC™ TECHNOLOGY

Optimizes compression levels for regions in a scene to help enhance bandwidth savings, helping to keep internet connectivity costs down.



LIGHTCATCHER™ TECHNOLOGY

Offers exceptional detail in areas with low lighting.



WEATHER AND IMPACT RATED

Certified to IP66 weather rating and IK08 impact rating for vandal resistance.



DUAL EXPOSURE WIDE DYNAMIC RANGE

Capture details in scenes with both very bright and dark areas.



MADE IN AMERICA AND 5 YEAR WARRANTY

Made in America using U.S. and globally sourced parts, we stand behind the quality of our H5M cameras with a 5-year, industry-leading warranty.



ONVIF® COMPLIANT

Built on an open platform to allow integration with other security solutions.

Specifications

		2.0 MP	5.0 MP	
IMAGE PERFORMANCE	Image Sensor	1/2.8" progressive scan CMOS		
	Max Resolution (H × V) and Aspect Ratio	(16:9) 1920 × 1080 (5:4) 1280 × 1024	(4:3) 1280 × 960 (16:9) 1280 × 720	
	Imaging Area (H × V)	4.8 mm × 2.7 mm; 0.189" × 0.106"		
	Dynamic Range	WDR Off	83 dB	
		WDR On	110 dB (dual exposure)	
	Max Image Rate	(50 Hz/60 Hz): 25 fps/30 fps		
	Resolution Scaling	Down to 384 × 216		
	Camera Operating Mode	N/A		
	Bandwidth Management	HDSM SmartCodec technology; Idle scene mode		
3D Noise Reduction Filter	Yes			

LENS AND IR ILLUMINATION	Lens	2.8 mm, F1.2, IR Corrected		
	Minimum Illumination	With IR	0 lux in color or monochrome mode	
		Without IR	0.01 lux in color mode; 0.005 lux (F/1.2) in monochrome mode	0.03 lux in color mode; 0.015 lux (F/1.2) in monochrome mode
	IR illumination (high power 850 nm LEDs)	15 m (50 ft) max. distance at 0 lux		
	Horizontal Angle of View Based on Aspect Ratio	(16:9) 112°; (5:4) 72°; (4:3) 82°	(5:4) 103°; (4:3) 104°	
	Vertical Angle of View Based on Aspect Ratio	(16:9) 62°; (5:4) 58°; (4:3) 61°	(5:4) 67°; (4:3) 77°	
	Max Aperture	F1.2		
	Control	Fixed		

IMAGE CONTROL	Image Compression Method	H.264 HDSM SmartCodec, H.265 HDSM SmartCodec, Motion JPEG	
	Streaming	Multi-stream H.264, Multi-stream H.265, Motion JPEG	
	Motion Detection	Pixel and Unusual Motion Detection (UMD)	
	Camera Tamper Detection	Yes	
	Electronic Shutter Control	Automatic, Manual (1/7.5 to 1/8000 sec)	
	Iris Control	None	
	Day/Night Control	Automatic, Manual	
	Flicker Control	50 Hz, 60 Hz	
	White Balance	Automatic, Manual	
	Backlight Compensation	Adjustable	
	Privacy Zones	Up to 64 zones	

NETWORK	Network	100BASE-TX, RJ45 Connector, CAT5 Cabling	
	ONVIF	ONVIF compliance Profile S, Profile T (www.onvif.org)	
	Security	Password protection, HTTPS encryption, digest authentication, WS authentication, user access log, 802.1x port based authentication	
	Protocols	IPv6, IPv4, HTTP, HTTPS, SOAP, DNS, NTP, RTSP, RTCP, RTP, TCP, UDP, IGMP, ICMP, DHCP, Zeroconf, ARP	
	Streaming Protocols	RTP/UDP, RTP/UDP multicast, RTP/RTSP/TCP, RTP/RTSP/HTTP/TCP, RTP/RTSP/HTTPS/TCP, HTTP	
	Device Management Protocols	SNMP v2c, SNMP v3	

MECHANICAL	SURFACE MOUNT		IN-CEILING MOUNT
	Dimensions (LxWxH)	100 mm × 100 mm × 115 mm; 3.9" × 3.9" × 4.5"	101 mm × 101 mm × 162 mm; 4.0" × 4.0" × 6.4"
Max. Ceiling Thickness	N/A		
Weight	0.355 kg; 0.78 lbs	0.37 kg; 0.82 lbs	
Body	Polycarbonate and aluminum		
Housing	Polycarbonate		
Finish	Cool gray		
Adjustment Range	360° pan, ±180° azimuth, 0° – 90° tilt		

ELECTRICAL	Power Consumption	8 W
	Power Source	PoE: IEEE802.3af Class 0 compliant

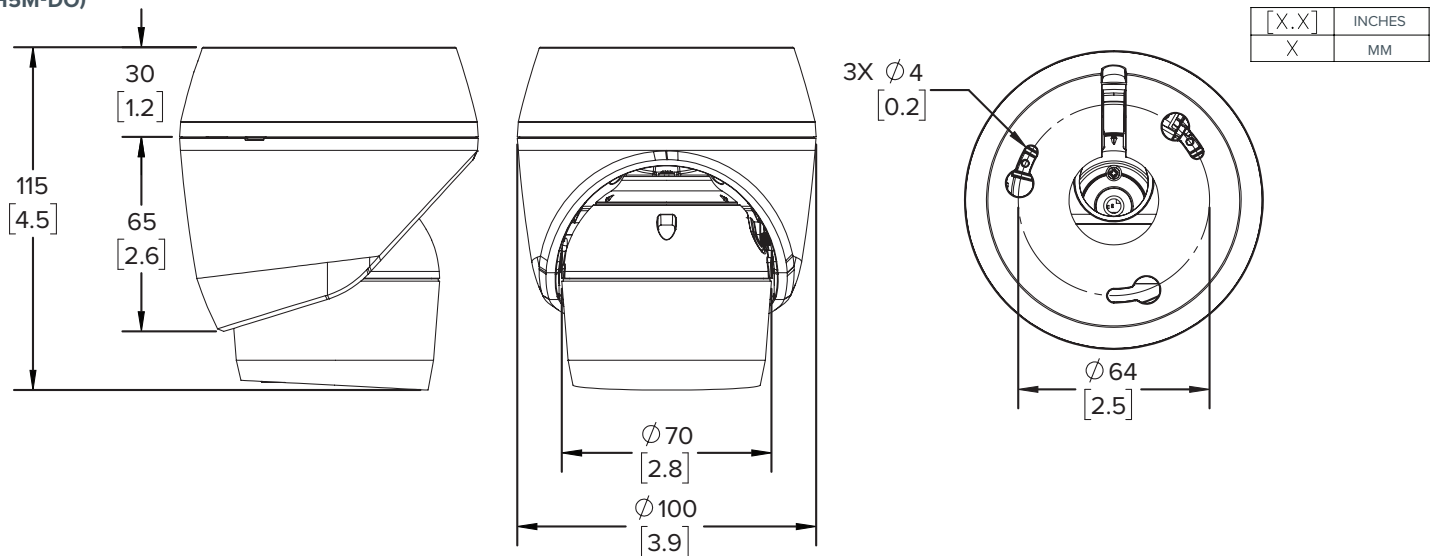
ENVIRONMENTAL	Operating Temperature	-30 °C to +55 °C (-22 °F to 131 °F)
	Storage Temperature	-40 °C to +70 °C (-40 °F to 158 °F)
	Humidity	0 - 95% non-condensing

CERTIFICATIONS	Certifications/Directives	UL, cUL, CE, ROHS, WEEE, RCM
	Safety	UL 62368-1, CSA 62368-1, IEC/EN 62368-1, IEC 62471
	Environmental	IP66 Weather Rating and IK08 Impact Rating
	Electromagnetic Emissions	FCC Part 15 Subpart B Class B, IC ICES-003 Class B, EN 55032 Class B, EN 61000-6-3, EN 61000-3-2, EN 61000-3-3
	Electromagnetic Immunity	EN 55024, EN 61000-6-1

Outline Dimensions

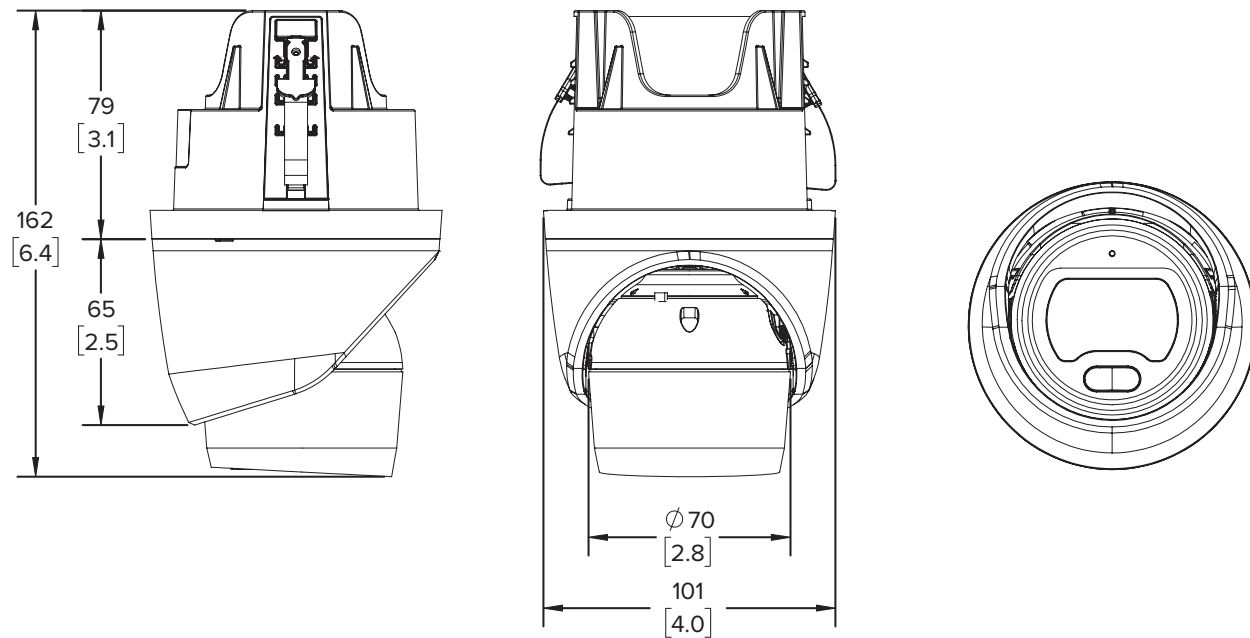
Surface Mount Outdoor Dome Camera

(H5M-DO)



In-Ceiling Dome Camera

(H5M-DO + H5M-MT-DCIL1)



Ordering Information

	MP	WDR	LightCatcher Technology	Lens	IR	IP66	HDSM SmartCodec
2.0C-H5M-DO1-IR	2.0	✓	✓	2.8 mm	✓	✓	✓
5.0C-H5M-DO1-IR	5.0	✓	✓	2.8 mm	✓	✓	✓

H5M-DO-BZL1	Package of 4 camera shroud replacement parts for the H5M dome cameras
H5M-MT-DCIL1	In-ceiling mount adapter for H5M dome cameras