

# VB400 1-PORT DOCK

A compact, lightweight dock perfect for remote workers with a small number of VB400 cameras spread across multiple sites.



## GENERAL INFORMATION

Product Code	VB-400-DOCK-SOLO
Compact and Unobtrusive	The VB400 1-Port Dock can fit on a desk without displacing other items - it can also be carried in a bag or briefcase
Scalability	Up to four 1-Port Docks can be connected to a DockController
Compatibility	Compatible with DockController DC-200 or PC running VideoManager
Easy To Deploy	Connection is a single USB to the PC (Cable supplied)
Speedy Plug-in/Pull-out Connectivity	The VB400 can be easily docked or undocked for speedy use
Warranty	1 year return-to-manufacturer warranty including email and telephone support Extended warranty available

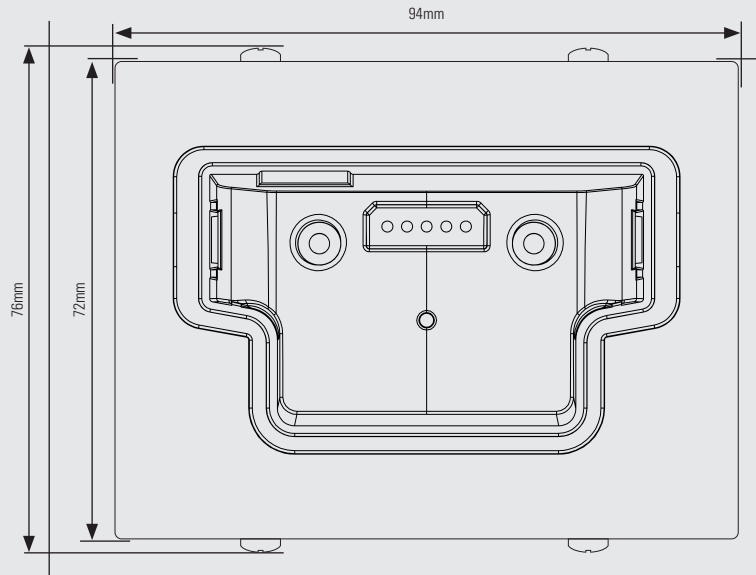
## SIZE AND WEIGHT

Dimensions	90mm x 75mm x 40mm
Weight	244g

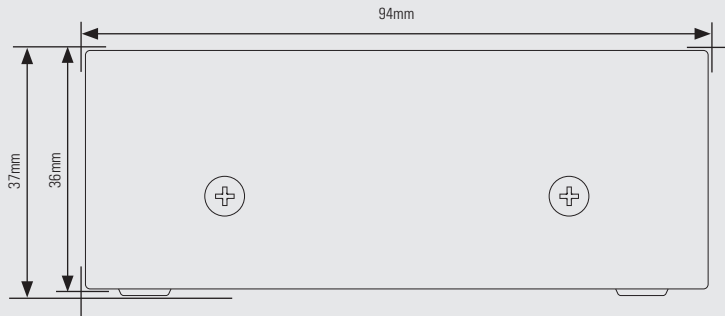
## CHARGING AND POWER

Charging	Up to 8 hrs from a fully flat VB400 battery.
Power Requirement	5V USB

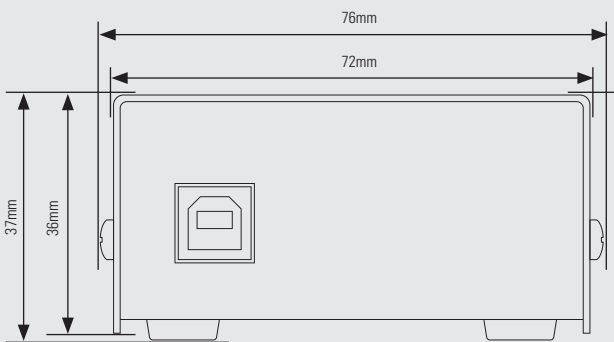
View on Top Face



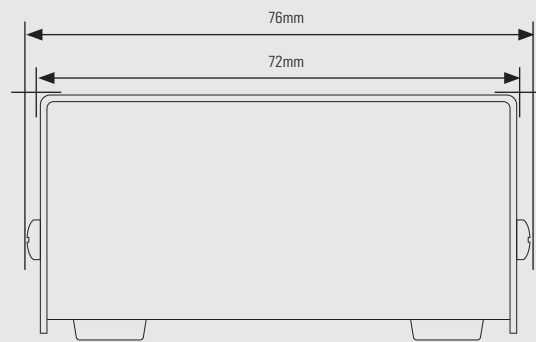
View on Front Face



View on Left Face



View on Right Face



For more information, please visit: [www.motorolasolutions.com](http://www.motorolasolutions.com)

Motorola Solutions Ltd. Nova South, 160 Victoria Street, London, SW1E 5LB, United Kingdom

Availability is subject to individual country law and regulations. All specifications shown are typical unless otherwise stated and are subject to change without notice. MOTOROLA, MOTO, MOTOROLA SOLUTIONS and the Stylized M Logo are trademarks or registered trademarks of Motorola Trademark Holdings, LLC and are used under license. All other trademarks are the property of their respective owners.  
© 2020 Motorola Solutions, Inc. All rights reserved. (09/20) (ED-002-047-09)