

## AXIS T98A17-VE Surveillance Cabinet

A robust cabinet for easy installation of critical system equipment



- > Custom designed for fixed dome outdoor cameras
- > Ease of installation
- > Vandal resistant
- > Weatherproof

AXIS T98A17-VE Surveillance Cabinet is a unique, outdoor-ready cabinet, specially designed for Axis outdoor network cameras. It protects main power and low-voltage units from tough weather and vandalism.

AXIS T98A17-VE is a part of a cabinet series that protects your installation against vandalism and tampering acts, it is weatherproof against the ingress of dust, water, ice and outside temperature. It represents a system solution that is designed for electrical safety and ease of installation to save you time and money in the field.

AXIS T98A17-VE Surveillance Cabinet fits many accessories such as midspan, power supply and media converter switches used for a network camera installation.

The Axis camera can be mounted on the door of the cabinet, which is already prepared with drill holes to match Axis' fixed dome outdoor cameras. All cabinets in the series come with a mounting plate to simplify installation and cable protection.

AXIS T98A-VE Cabinet Series is ideal in city surveillance or critical infrastructure installations where a sturdy, vandal-resistant and water-protected box is a must.

# Technical Specifications - AXIS T98A17-VE Surveillance Cabinet

<b>Models</b>	AXIS T98A17-VE Surveillance Cabinet
<b>General</b>	
<b>Supported cameras</b>	For full compatibility please see: <a href="http://www.axis.com/products/video/accessories/configurator/">http://www.axis.com/products/video/accessories/configurator/</a>
<b>Casing</b>	Polycarbonate cabinet and stainless steel mounting plate IP66- and NEMA 4X-rated, IK10 impact-resistant Color: White NCS S 1002-B and stainless steel
<b>Environment</b>	Indoor/Outdoor
<b>Operating conditions</b>	-40 °C to 75 °C (-40 °F to 167 °F) <sup>a</sup> Humidity 10-100% RH (condensing)
<b>Approvals</b>	IEC/EN/UL 60950-1, IEC/EN/UL 60950-22, UL 50, UL 50E, IEC 60529 IP66, NEMA 250 Type 4X, IEC 60068-2-6 4M4, IEC 60068-2-27 4M4, IEC/EN 62262 IK10

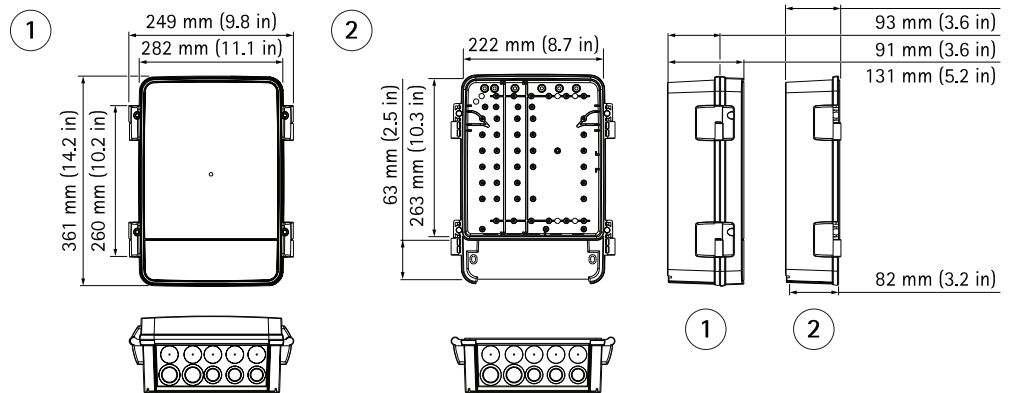
<b>Weight</b>	3.5 kg (7.7 lb)
<b>Included accessories</b>	Installation Guide, Pre-mounted cable gaskets, Pre-mounted DIN rail, Cable clamps, Cable straps, Power cover, Device mounting bracket Additional screws for mounting the camera
<b>Warranty</b>	Axis 3-year warranty, <a href="http://www.axis.com/warranty">www.axis.com/warranty</a>

a. Temperature range may vary with the network camera and its accessories.

More information is available at [www.axis.com](http://www.axis.com)

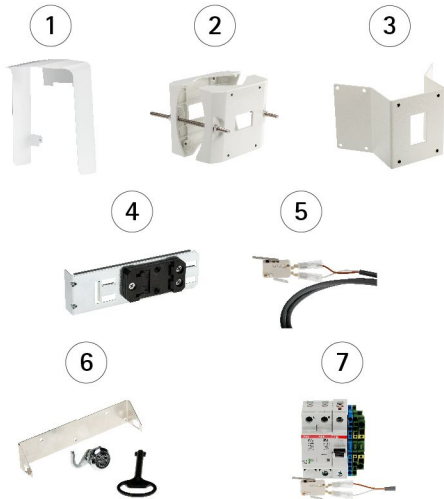
## Dimensions

1. With door
2. Without door



## Cabinet accessories

1. AXIS T98A Sunshield
2. AXIS T95A67
3. AXIS T95A64
4. AXIS Midspan DIN Clip A
5. AXIS Door Switch A
6. AXIS Cabinet Lock A
7. AXIS Electrical Safety kits



## Camera accessories

1. AXIS T8604/T8605
2. Power Supply DIN CP-D 12/2,1 25 W
3. AXIS T8008 PS12
4. AXIS T81B22
5. Multicable I/O Audio Power

