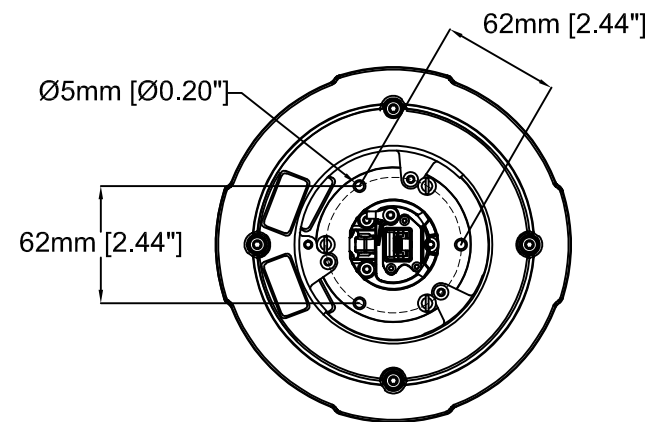
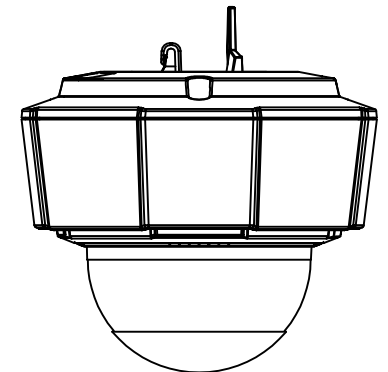
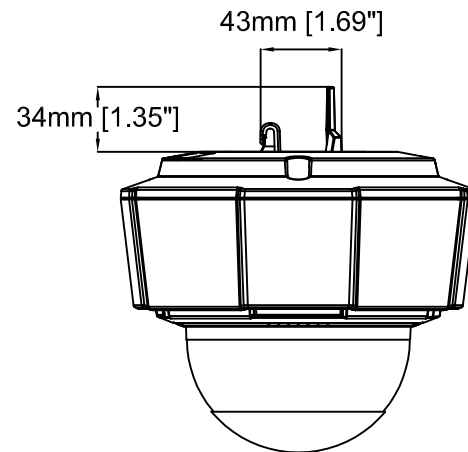
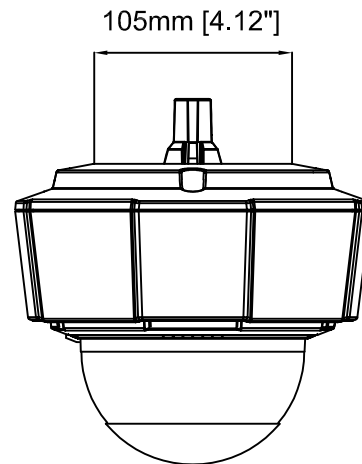
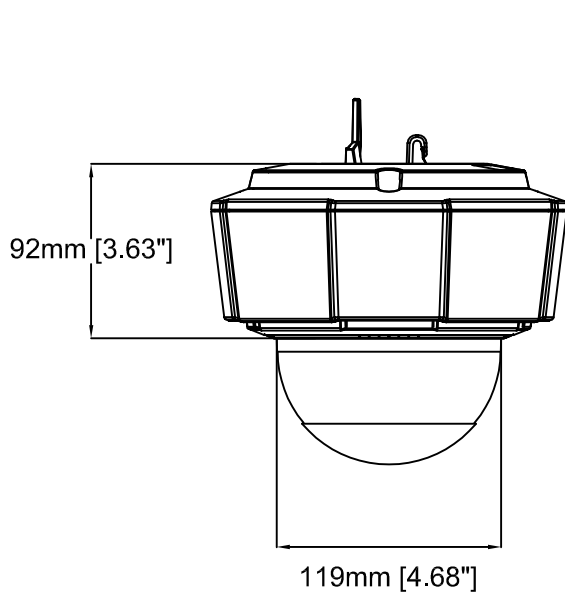
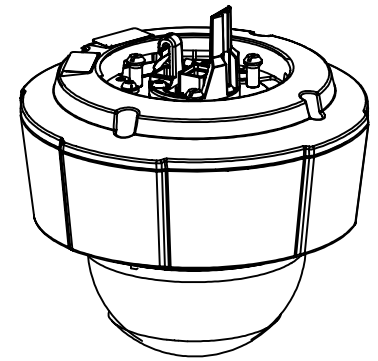


Ø188mm [Ø7.40"]



AXIS P5514-E Outdoor Network Camera

Revision	v.02	Revision date	2017-08-15
Paper size	A4	Release date	2015-07-10
Created by	JOT/GAB	Scale	1:4