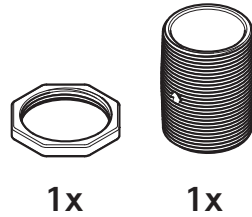


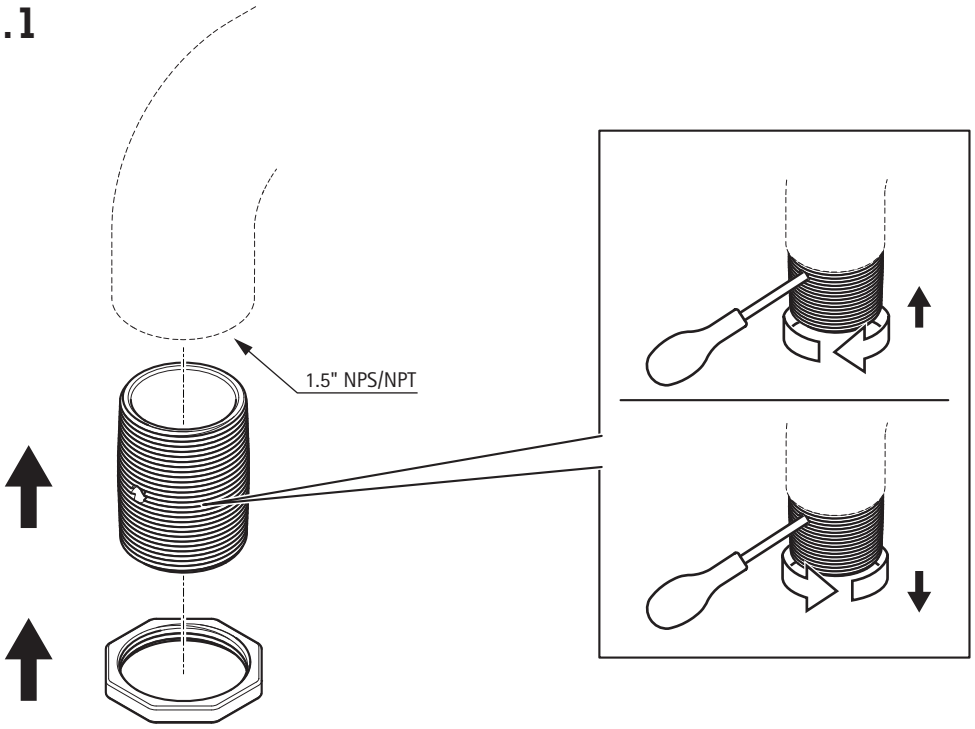
## AXIS 1.5" NPS/NPT Male Coupler



### Installation Guide

Installation Guide	Ver. 1.0
AXIS 1.5" NPS/NPT Male Coupler	Date: November, 2018
© Axis Communications AB, 2018	Part No. 1913829

1.1



1.2

