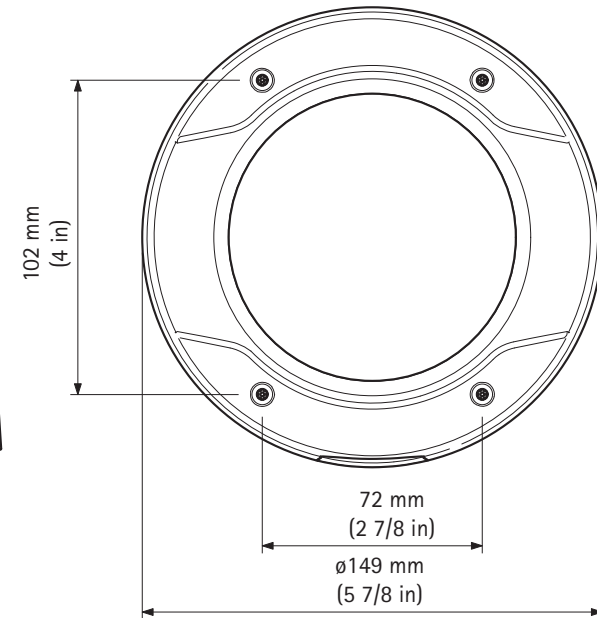
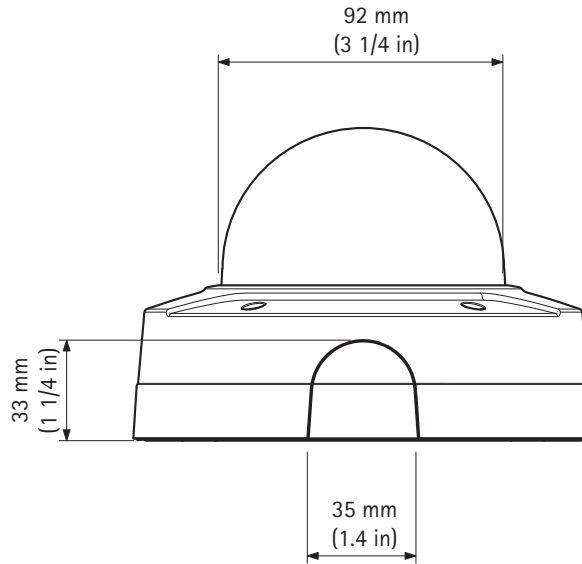
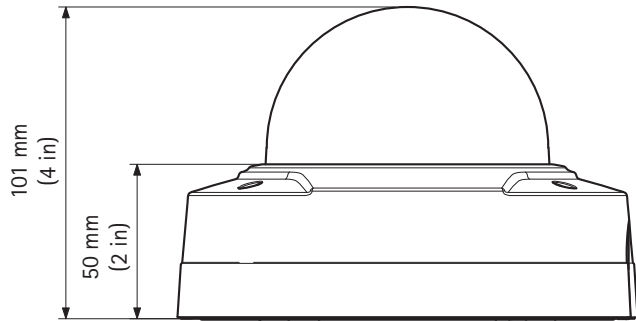
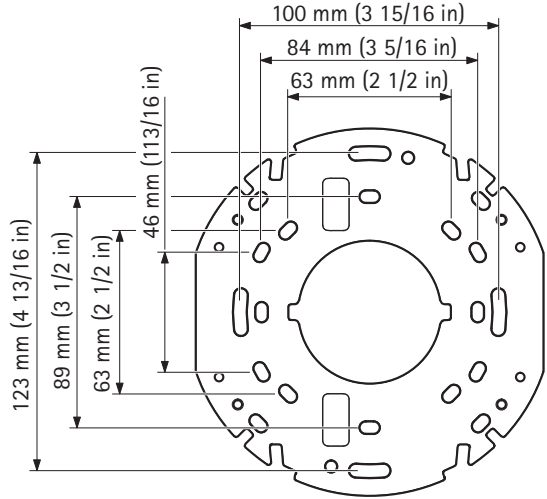


Detailed measurements



AXIS P32-LV Network Cameras

2 AUGUST, 2016