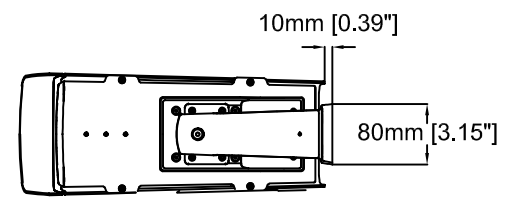
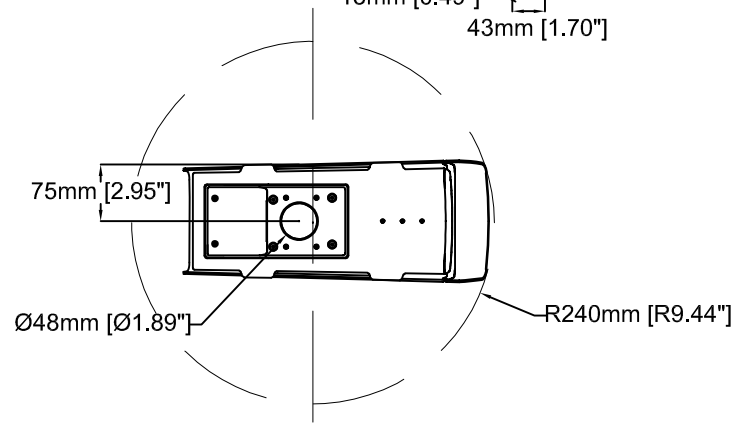
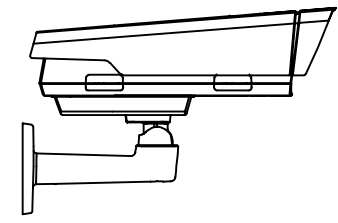
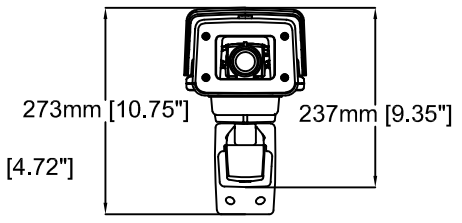
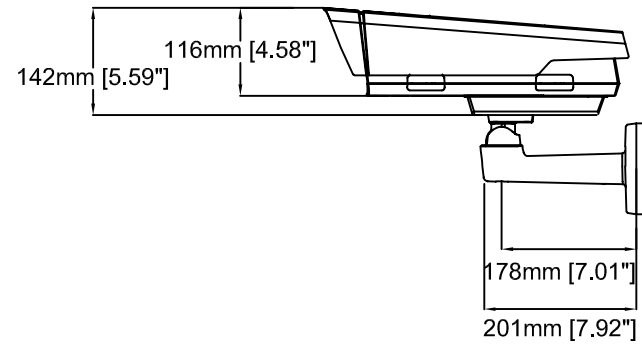
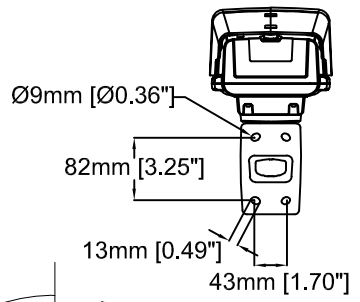
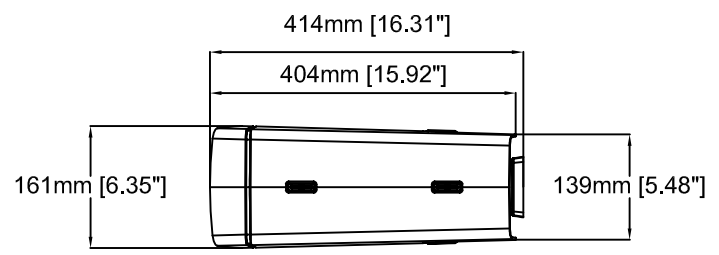


R242mm [R9.52"]



AXIS Q1615-E Mk II Network Camera

Revision	v.02	Revision date	2017-08-14
Paper size	A4	Release date	2017-02-01
Created by	JOT/GAB	Scale	1:10