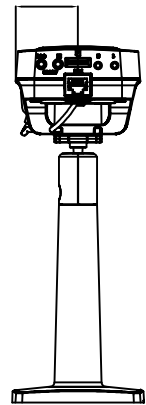
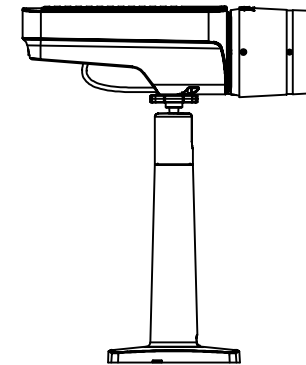
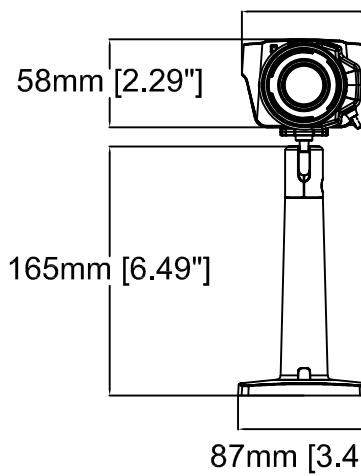


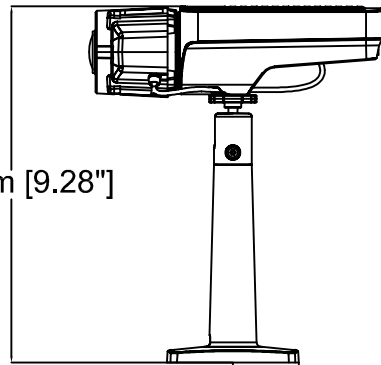
41mm [1.61"]



82mm [3.24"]

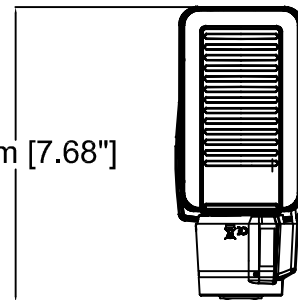


236mm [9.28"]



56mm [2.22"]
100mm [3.94"]

195mm [7.68"]



AXIS Q1615 Mk II Network Camera

Revision	v.01	Revision date	2017-10-27
Paper size	A4	Release date	2015-06-15
Created by	JOT	Scale	1:5