

# VB-H45/B



## Keep every angle covered

The VB-H45 Full HD PTZ IP security camera combines a powerful 400x zoom, low-light capability and fast auto-focus. Flexible installation options for indoor use.



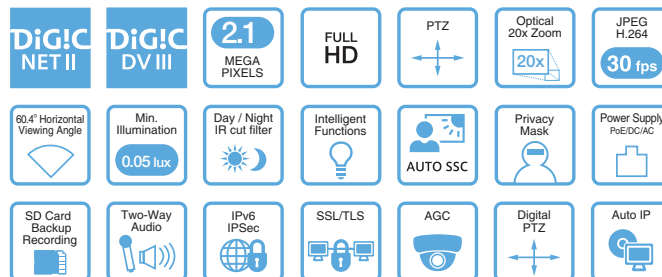
With DR41-C-VB Indoor Clear Dome Housing



VB-H45B



- Full HD PTZ IP security camera
- Powerful 20x optical zoom lens with 20x digital zoom and fast autofocus
- Superior image quality using Canon DIGIC DV III processor
- Canon DIGIC NET II supports dual H.264 video streams (up to 30 fps)
- Superior low-light performance: colour at 0.05 lux and mono at 0.003 lux
- Auto Smart Shade Control (Auto-SSC) improves foreground objects in bright backlit scenes
- Motion Adaptive Noise Reduction and Area-Specific Data Size Reduction (ADSR) help reduce data size while optimising image quality
- Built-in analytics functions for intelligent and efficient alarm detection
- Live monitoring and configuration on supported web browsers and mobile devices
- ONVIF® Profile S compliant
- Two colour options: Silver (VB-H45) and Black (VB-H45B)



# Technical Specifications

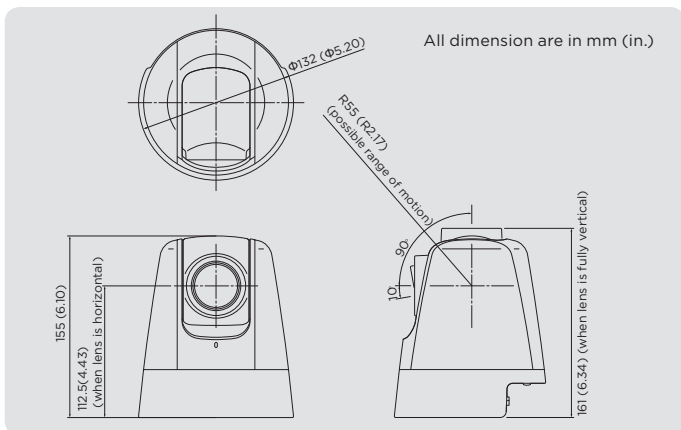
# VB-H45/B

<b>CAMERA</b>	
<b>Image Sensor</b>	1/3 type CMOS (primary colour filter)
<b>Number of Effective Pixels</b>	Approx. 2.1 million pixels
<b>Scanning Method</b>	Progressive
<b>Lens</b>	20x optical zoom (20x digital zoom) lens with auto focus
<b>Focal Length</b>	4.7 (W) – 94 mm (T) (W): maximum wide angle, (T): maximum telephoto
<b>F-number</b>	F1.6 (W) – F3.5 (T)
<b>Viewing Angle</b>	For 16:9 aspect ratios: Horizontal: 60.4° (W) – 3.2° (T) Vertical: 35.1° (W) – 1.8° (T) For 4:3 aspect ratios: Horizontal: 46.3° (W) – 2.4° (T) Vertical: 35.1° (W) – 1.8° (T)
<b>Day / Night Switch</b>	Auto / Day Mode / Night Mode
<b>Min. Subject Illumination</b>	Day Mode (colour): 0.05 lux (F1.6, shutter speed 1/30 sec., when smart shade control is off, 50IRE) Night Mode (monochrome): 0.003 lux (F1.6, shutter speed 1/30 sec., when smart shade control is off, 50IRE)
<b>Focus</b>	Auto / One-shot AF / Manual / Fixed at infinity
<b>Shooting Distance</b>	Day Mode: 0.3 m (12 in.) – infinity (W), 1.0 m (3.3 ft.) – infinity (T) Night Mode: 1.0 m (3.3 ft.) – infinity (W), 1.5 m (4.9 ft.) – infinity (T) When [Enable] is selected for [Dome]: Day Mode: 2.0 m (6.6 ft.) – infinity (W, T) Night Mode: 1.0 m (3.3 ft.) – infinity (W), 2.2 m (7.2 ft.) – infinity (T)
<b>Shutter Speed</b>	1, 1/2, 1/4, 1/8, 1/15, 1/30, 1/50, 1/60, 1/100, 1/120, 1/250, 1/500, 1/1000, 1/2000, 1/4000, 1/8000, 1/10000, 1/16000 sec.
<b>Exposure</b>	Auto/Auto (Flickerless)/Auto (Shutter-priority AE) / Auto (Aperture-priority AE) / Manual (Shutter Speed, Aperture, Gain)
<b>White Balance</b>	Auto/Manual Daylight Fluorescent/White Fluorescent/Warm Fluorescent/ Mercury Lamp/Sodium Lamp/Halogen Lamp Manual: One-shot WB/R Gain/B Gain
<b>Metering Modes</b>	Center-Weighted / Average / Spot
<b>Exposure Compensation</b>	9 levels
<b>Smart Shade Control</b>	Auto / Manual / Disable Auto: 3 levels Manual: 7 levels
<b>Haze Compensation</b>	Auto / Manual / Disable Auto: 3 levels Manual: 7 levels
<b>AGC Limit</b>	6 levels
<b>Image Stabilizer</b>	2 levels (digital)
<b>Pan Angle Range</b>	340° (±170°)
<b>Tilt Angle Range</b>	100° (ceiling-mounted position: -90° – +10°) – When the horizontal direction of the camera is 0°
<b>Moving Speed</b>	Pan: Max. 150°/sec., Tilt: Max. 150°/sec.
<b>SERVER UNIT</b>	
<b>Video Compression Method</b>	JPEG, H.264
<b>Video Size</b>	JPEG, H.264: 1920 x 1080, 960 x 540, 480 x 270 1280 x 720, 640 x 360, 320 x 180 1280 x 960, 640 x 480, 320 x 240
<b>Video Quality</b>	JPEG, H.264: 10 levels
<b>Frame Rate</b>	JPEG: 0.1 – 30 fps H.264: 1/2/3/5/6/10/15/30 fps – Values represent streaming performance from the camera. – The frame rate may be reduced due to Viewer PC's specs, the number of clients accessing at the same time, network loads, video quality setting, type or movement of the subject or other reasons.
<b>Max. Frame Rate</b>	When streaming JPEG, H.264 (1920 x 1080): 30 fps When used in the following combinations: When streaming H.264(1) (1920 x 1080) and H.264(2) (all sizes) simultaneously: 15 fps When streaming H.264(1) (all sizes) and H.264(2) (1920 x 1080) simultaneously: 15 fps When streaming H.264(1) (1280 x 960) and H.264(2) (1280 x 960) simultaneously: 15 fps When streaming H.264(1) (1280 x 720) and H.264(2) (1280 x 720) simultaneously: 15 fps
<b>I-Frame Interval</b>	0.5/1/1.5/2/3/4/5 sec.
<b>Simultaneous Client Access</b>	Max. 30 Clients + 1 Admin Client – H.264: Max. 10 Clients
<b>Bit Rate Control</b>	Target Bit Rate: 64/128/256/384/512/768/1024/1536/2048/3072/4096/6144/8192/10240/12288/14336/16384 kbps
<b>ADSR: Area-specific Data Size Reduction</b>	Number of Specified Areas: Max. 8 areas Data Size Reduction Level: 3 levels
<b>Encrypted Communications</b>	SSL / TLS, IPsec (Auto Key Exchange/Manual)
<b>IEEE 802.1X Protocol</b>	EAP-MD5, EAP-TLS, EAP-TTLS, EAP-PEAP
<b>ONVIF Profile</b>	Profile-S
<b>Audio Compression Method</b>	G.711 µ-law (64 kbps)

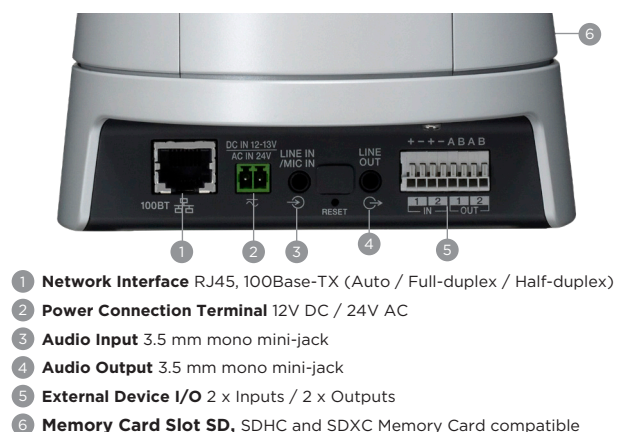
<b>Audio Communication Method</b>	Full-duplex (two-way)/half-duplex RTP, Sound Transfer Protocol by Canon
<b>Audio File Playback</b>	Available (audio files can be played back when an event is triggered by the intelligent function or external device input.) – A third-party amplifier speaker is necessary
<b>Privacy Mask</b>	Number of registration: Max. 8 places, Number of mask colours: 1 (select from 9 colours)
<b>View Restriction</b>	Available
<b>Preset</b>	Number of registers: Max. 64 positions (+Home Position) Number of Preset Tour Route: Max. 5
<b>Intelligent Function</b>	Video: Moving Object Detection, Abandoned Object Detection, Removed Object Detection, Camera Tampering Detection, Passing Detection, Intrusion Detection Detection Settings: Max. 15 Non-detection Area Settings: Available Audio: Volume Detection, Scream Detection
<b>Event Trigger Type</b>	External Device Input, Intelligent Function (Video), Intelligent Function (Audio), Timer, Day/Night Mode Switching Number of Linked Events: 2 Linked Event Conditions: OR, AND (whether or not there is a sequence to events)
<b>Image Upload</b>	FTP / HTTP / SMTP (e-mail)
<b>Event Notification</b>	HTTP / SMTP (e-mail)
<b>Enhanced Digital Zoom</b>	Available
<b>On-Screen Display</b>	Available (English only) – The following languages require the use of the On-Screen Display Assist Tool. German/Spanish/French/Italian/Polish/Russian/Turkish/ Korean/Chinese (Simplified) /Japanese
<b>Daylight Saving Time</b>	Available
<b>APPLICATION</b>	
<b>Viewer</b>	Camera Viewer Mobile Camera Viewer
<b>Camera software</b>	Camera Management Tool Recorded Video Utility On-Screen Display Assist Tool
<b>Language</b>	German/English/Spanish/French/Italian/Polish/Russian/ Turkish/Thai/Korean/Chinese (Simplified) /Japanese
<b>INTERFACE</b>	
<b>Network Terminal</b>	LAN x1 (RJ45, 100Base-TX (auto / full-duplex / half-duplex))
<b>Audio Input Terminal</b>	Φ3.5 mm (Φ0.14 in.) mini-jack connector (monaural) LINE IN (connect to an amplifier microphone) or MIC IN (connect to a microphone w/o amplifier) – Switch LINE IN/MIC IN in the Setting Page.
<b>Audio Output Terminal (LINE OUT)</b>	Φ3.5 mm (Φ0.14 in.) mini-jack connector (monaural) LINE OUT x1 (connect to an amplifier speaker)
<b>External Device I/O Terminal</b>	Input x 2, Output x 2
<b>Memory Card</b>	SD Memory Card, SDHC Memory Card, SDXC Memory Card Compatible. Frame Rate: Max. 1 fps (JPEG) Max. 30 fps (H.264)
<b>OTHER</b>	
<b>Operating Environment</b>	Temperature: -10°C – +50°C (+14°F – +122°F) Humidity: 5% – 85% (without condensation)
<b>Power Supply</b>	PoE: PoE power supply via LAN connector (IEEE802.3at Type1 compliant) AC Adapter: PA-V18 (100 – 240 V AC) (sold separately) External power source: 24 V AC/12 V DC
<b>Power Consumption</b>	When using PoE: Max. approx. 9.2 W* When using AC Adapter PA-V18: Max. approx. 9.9 W (100 V AC) / Max. approx. 9.4 W (240 V AC) When using DC: Max. approx. 8.6 W When using AC: Max. approx. 8.8 W * Class 0 power sourcing equipment (requests 15.4 W)
<b>Dimensions</b>	(Φx H) Φ132 x 155 mm (Φ5.20 x 6.10 in.) – Camera only (height when camera is placed horizontally, excluding Ceiling Bracket)
<b>Weight</b>	Approx. 1140 g (2.52 lb.)
<b>International Standard</b>	EN55032 Class B, FCC part15 subpart B Class B, ICES-003 Class B, VCCI Class B, RCM AS/NZS EN55032 Class B, CNS13438 Class B, KN32 Class B, EN55024, KN35, EN50581 ----- IEC/UL/EN60950-1

All data is based on Canon standard testing methods except where indicated. Subject to change without notice.  
™ and ®: All company and / or product names are trademarks and / or registered trademarks of their respective manufacturers in their markets and / or countries.

## Dimensions



## Connectivity



canon.com

Canon Europe  
canon-europe.com

English edition  
© Canon Europa N.V., 2018

Keep every angle covered

# VB-H45/B



The VB-H45 Full HD PTZ IP security camera combines a powerful 400x zoom, low-light capability and fast auto-focus. Flexible installation options for indoor use.

Sales Start Date: Q1, 2018

#### Product Details:

Product Name	Mercury Code	EAN Code
Network Camera VB-H45	2541C001AB	4549292106886
Network Camera VB-H45B	2541C002AB	4549292106916

#### Optional Accessories:

Product Name	Mercury Code	EAN Code
AC Adapter PA-V18 (E)	8362B002AA	4960999986791
Indoor Dome Housing (DR41-C-VB)	6816B001AA	4960999914558
Indoor Dome Housing (DR41-S-VB)	6816B002AA	4960999914565
Ceiling Mount Cover (SS40-S-VB)	4962B001AA	4960999686721
Ceiling Mount Cover (SS40-B-VB)	4962B002AA	4960999688794
Pendant Mounting Kit (PC600-VB)	9918B001AA	4549292022551

#### Measurement / Logistic Information:

Product Name	Mercury code	Pack type	Pack description	Quantity per pack	Length (mm)	Width (mm)	Height (mm)	Net Weight (Kg)	Gross Weight (Kg)
Network Camera VB-H45	2541C001AB 2541C002AB	EA	Each	1	229	187	210	Approx. 1.1	Approx. 1.6
Network Camera VB-H45B		CT	Carton	4	438	392	264	Approx. 4.6	Approx. 7.4
		EP	Euro Pallet	—	—	—	—	—	—

#### What's in the box?

- VB-H45 Main Unit
- Power Connector
- Installation Guide
- Warranty Card
- Before Using this Camera
- EAC-Supported Guide