

ENGLISH

FRANÇAIS

DEUTSCH

ITALIANO

ESPAÑOL

日本語

AXIS P55 Network Camera Series

AXIS P5514 PTZ Dome Network Camera

AXIS P5515 PTZ Dome Network Camera

Installation Guide

Legal Considerations

Video and audio surveillance can be regulated by laws that vary from country to country. Check the laws in your local region before using this product for surveillance purposes.

This product includes one (1) H.264 decoder license and one (1) AAC decoder license. To purchase further licenses, contact your reseller.

Liability

Every care has been taken in the preparation of this document. Please inform your local Axis office of any inaccuracies or omissions. Axis Communications AB cannot be held responsible for any technical or typographical errors and reserves the right to make changes to the product and manuals without prior notice. Axis Communications AB makes no warranty of any kind with regard to the material contained within this document, including, but not limited to, the implied warranties of merchantability and fitness for a particular purpose. Axis Communications AB shall not be liable nor responsible for incidental or consequential damages in connection with the furnishing, performance or use of this material. This product is only to be used for its intended purpose.

Intellectual Property Rights

Axis AB has intellectual property rights relating to technology embodied in the product described in this document. In particular, and without limitation, these intellectual property rights may include one or more of the patents listed at www.axis.com/patent.htm and one or more additional patents or pending patent applications in the US and other countries.

This product contains licensed third-party software. See the menu item "About" in the product's user interface for more information.

This product contains source code copyright Apple Computer, Inc., under the terms of Apple Public Source License 2.0 (see www.opensource.apple.com/aps/). The source code is available from <https://developer.apple.com/bonjour/>

Equipment Modifications

This equipment must be installed and used in strict accordance with the instructions given in the user documentation. This equipment contains no user-serviceable components. Unauthorized equipment changes or modifications will invalidate all applicable regulatory certifications and approvals.

Trademark Acknowledgments

AXIS COMMUNICATIONS, AXIS, ETRAX, ARTPEC and VAPIX are registered trademarks or trademark applications of Axis AB in various jurisdictions. All other company names and products are trademarks or registered trademarks of their respective companies.

Apple, Boa, Apache, Bonjour, Ethernet, Internet Explorer, Linux, Microsoft, Mozilla, Real, SMPTE, QuickTime, UNIX, Windows, Windows Vista and WWW are registered trademarks of the respective holders. Java and all Java-based trademarks and logos are trademarks or registered trademarks of Oracle and/or its affiliates. UPnP™ is a certification mark of the UPnP™ Implementers Corporation.

SD, SDHC and SDXC are trademarks or registered trademarks of SD-3C, LLC in the United States, other countries or both. Also, miniSD, microSD, miniSDHC, microSDHC, microSDXC are all trademarks or registered trademarks of SD-3C, LLC in the United States, other countries or both.

Regulatory Information

Europe

CE This product complies with the applicable CE marking directives and harmonized standards:

- Electromagnetic Compatibility (EMC) Directive 2004/108/EC. See *Electromagnetic Compatibility (EMC) on page 2*.
- Low Voltage (LVD) Directive 2006/95/EC. See *Safety on page 3*.
- Restrictions of Hazardous Substances (RoHS) Directive 2011/65/EU. See *Disposal and Recycling on page 3*.

A copy of the original declaration of conformity may be obtained from Axis Communications AB. See *Contact Information on page 3*.

Electromagnetic Compatibility (EMC)

This equipment has been designed and tested to fulfill applicable standards for:

- Radio frequency emission when installed according to the instructions and used in its intended environment.
- Immunity to electrical and electromagnetic phenomena when installed according to the instructions and used in its intended environment.

USA

This equipment has been tested using a shielded network cable (STP) and found to comply with the limits for a Class A digital device, pursuant to part 15 of the FCC Rules. These limits are designed to provide reasonable protection against harmful interference when the equipment is operated in a commercial environment. This equipment generates, uses, and can radiate radio frequency energy and, if not installed and used in accordance with the instruction manual, may cause harmful interference to radio communications. Operation of this equipment in a residential area is likely to cause harmful interference in which case the user will be required to correct the interference at his own expense.

The product shall be connected using a shielded network cable (STP) that is properly grounded.

Canada

This digital apparatus complies with CAN ICES-3 (Class A). The product shall be connected using a shielded network cable (STP) that is properly grounded.

Cet appareil numérique est conforme à la norme NMB ICES-3 (classe A). Le produit doit être connecté à l'aide d'un câble réseau blindé (STP) qui est correctement mis à la terre.

Europe

This digital equipment fulfills the requirements for RF emission according to the Class A limit of EN 55022. The product shall be connected using a shielded network cable (STP) that is properly grounded. Notice! This is a Class A product. In a domestic environment this product may cause RF interference, in which case the user may be required to take adequate measures.

This product fulfills the requirements for immunity according to EN 61000-6-1 residential, commercial and light-industrial environments.

This product fulfills the requirements for immunity according to EN 61000-6-2 industrial environments.

This product fulfills the requirements for immunity according to EN 55024 office and commercial environments

Australia/New Zealand

This digital equipment fulfills the requirements for RF emission according to the Class A limit of AS/NZS CISPR 22. The product shall be connected using a shielded network

cable (STP) that is properly grounded. Notice! This is a Class A product. In a domestic environment this product may cause RF interference, in which case the user may be required to take adequate measures.

Japan

この装置は、クラスA 情報技術装置です。この装置を家庭環境で使用すると電波妨害を引き起こすことがあります。この場合には使用者が適切な対策を講ずるよう要求されることがあります。本製品は、シールドネットワークケーブル(STP)を使用して接続してください。また適切に接地してください。

Korea

이 기기는 업무용(A급) 전자파적합기기로서 판매자 또는 사용자는 이 점을 주의하시기 바라며, 가정외의 지역에서 사용하는 것을 목적으로 합니다. 적절히 접지된 STP (shielded twisted pair) 케이블을 사용하여 제품을 연결 하십시오.

Safety

This product complies with IEC/EN/UL 60950-1, Safety of Information Technology Equipment. If its connecting cables are routed outdoors, the product shall be grounded either through a shielded network cable (STP) or other appropriate method.

Disposal and Recycling

When this product has reached the end of its useful life, dispose of it according to local laws and regulations. For information about your nearest designated collection point, contact your local authority responsible for waste disposal. In accordance with local legislation, penalties may be applicable for incorrect disposal of this waste.

Europe



■ This symbol means that the product shall not be disposed of together with household or commercial waste. Directive 2012/19/EU on waste electrical and electronic equipment (WEEE) is applicable in the European Union member states. To prevent potential harm to human health and the environment, the product must be disposed of in an approved and environmentally safe recycling process. For information about your nearest designated collection point, contact your local authority responsible for waste disposal. Businesses should contact the product supplier for information about how to dispose of this product correctly.

This product complies with the requirements of Directive 2011/65/EU on the restriction of the use of certain hazardous substances in electrical and electronic equipment (RoHS).

China



This product complies with the requirements of the legislative act Administration on the Control of Pollution Caused by Electronic Information Products (ACPEIP).

Contact Information

Axis Communications AB
Emdalavägen 14
223 69 Lund
Sweden

Tel: +46 46 272 18 00

Fax: +46 46 13 61 30

www.axis.com

Support

Should you require any technical assistance, please contact your Axis reseller. If your questions cannot be answered

immediately, your reseller will forward your queries through the appropriate channels to ensure a rapid response. If you are connected to the Internet, you can:

- download user documentation and software updates
- find answers to resolved problems in the FAQ database. Search by product, category, or phrase
- report problems to Axis support staff by logging in to your private support area
- chat with Axis support staff
- visit Axis Support at www.axis.com/techsup/

Learn More!

Visit Axis learning center www.axis.com/academy/ for useful trainings, webinars, tutorials and guides.

Safety Information

Read through this Installation Guide carefully before installing the product. Keep the Installation Guide for future reference.

Hazard Levels

▲DANGER

Indicates a hazardous situation which, if not avoided, will result in death or serious injury.

▲WARNING

Indicates a hazardous situation which, if not avoided, could result in death or serious injury.

▲CAUTION

Indicates a hazardous situation which, if not avoided, could result in minor or moderate injury.

NOTICE

Indicates a situation which, if not avoided, could result in damage to property.

Other Message Levels

Important

Indicates significant information which is essential for the product to function correctly.

Note

Indicates useful information which helps in getting the most out of the product.

Safety Instructions

NOTICE

- The Axis product shall be used in compliance with local laws and regulations.
- To use the Axis product outdoors, or in similar environments, it shall be installed in an approved outdoor housing.
- Store the Axis product in a dry and ventilated environment.
- Avoid exposing the Axis product to shocks or heavy pressure.
- Do not install the product on unstable brackets, surfaces or walls.
- Do not point the camera lens toward the sun or other high-intensity radiation sources as this could cause damage to the camera.
- Use only applicable tools when installing the Axis product. Using excessive force with power tools could cause damage to the product.
- Do not use chemicals, caustic agents, or aerosol cleaners.
- Use a clean cloth dampened with pure water for cleaning.
- Use only accessories that comply with technical specification of the product. These can be provided by Axis or a third party.
- Use only spare parts provided by or recommended by Axis.
- Do not attempt to repair the product by yourself. Contact Axis support or your Axis reseller for service matters.
- Do not point the camera lens toward the sun or other high-intensity radiation sources because this could cause damage to the camera.

Transportation

NOTICE

- Keep the protective packaging. When transporting the Axis product, the protective packaging shall be replaced in its original position.
- When transporting the Axis product, use the original packaging or equivalent to prevent damage to the product.

Battery

The Axis product uses a 3.0 V BR/CR2032 lithium battery as the power supply for its internal real-time clock (RTC). Under normal conditions this battery will last for a minimum of five years.

Low battery power affects the operation of the RTC, causing it to reset at every power-up. When the battery needs replacing, a log message will appear in the product's server report. For more information about the server report, see the product's setup pages or contact Axis support.

The battery should not be replaced unless required, but if the battery does need replacing, contact Axis support at www.axis.com/techsup for assistance.

⚠WARNING

- Risk of explosion if the battery is incorrectly replaced.
- Replace only with an identical battery or a battery which is recommended by Axis.
- Dispose of used batteries according to local regulations or the battery manufacturer's instructions.

Dome Cover

NOTICE

- Be careful not to scratch, damage or leave fingerprints on the dome cover because this could decrease image quality. If possible, keep the protective plastic on the dome cover until the installation is complete.
- Do not clean a dome cover that looks clean to the eye and never polish the surface. Excessive cleaning could damage the surface.
- For general cleaning of the dome cover it is recommended to use a non-abrasive, solvent-free neutral soap or detergent mixed with pure water and a soft, clean cloth. Rinse well with pure lukewarm water. Dry with a soft, clean cloth to prevent water spotting.
- Never use harsh detergents, gasoline, benzene or acetone etc. and avoid cleaning the dome cover in direct sunlight or at elevated temperatures.

Installation Guide

This Installation Guide provides instructions for installing AXIS P5514/P5515 PTZ Dome Network Camera on your network. For other aspects of using the product, see the User Manual available at www.axis.com

Installation Steps

1. Make sure the package contents, tools and other materials necessary for the installation are in order. See *page 9*.
2. Study the hardware overview. See *page 9*.
3. Study the specifications. See *page 15*.
4. Install the hardware. See *page 16*.
5. Access the product. See *page 21*.

Package Contents

- AXIS P5514/P5515 PTZ Dome Network Camera
- Mounting kit for hard and drop ceilings
- Clear transparent dome cover (premounted)
- Smoked dome cover
- Printed materials
 - Installation Guide (this document)
 - Extra serial number label (2x)
 - AVHS Authentication key

Optional Accessories

- AXIS T91A Mounting Accessories
- AXIS T94A03L Recessed mount kit

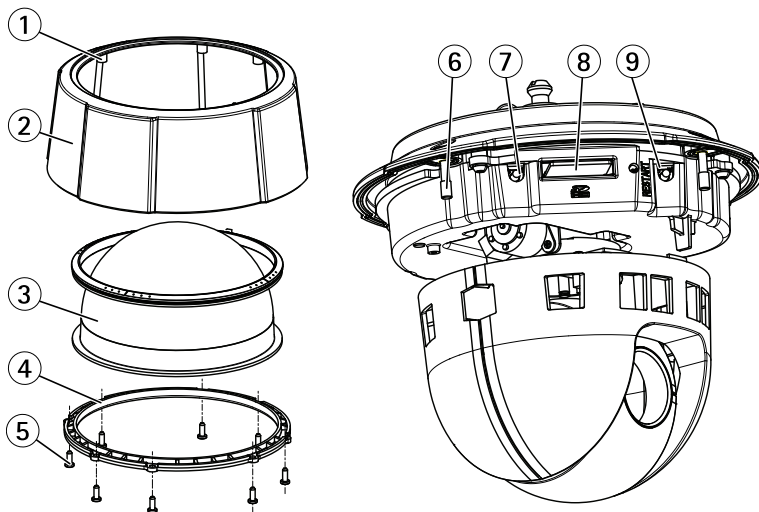
For information about available accessories, see www.axis.com

Hardware Overview

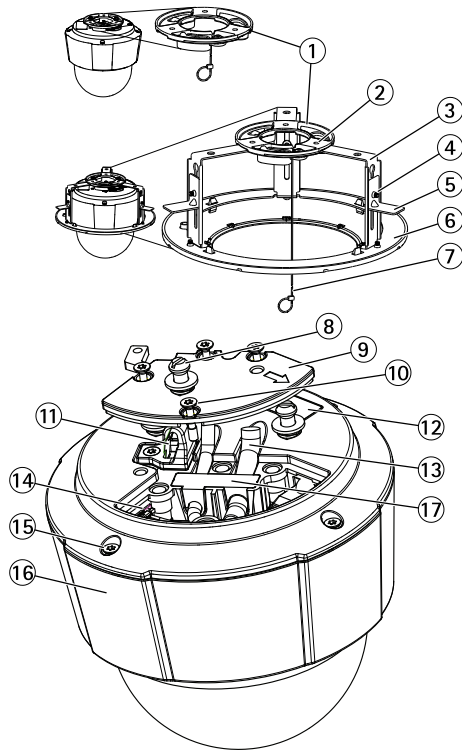
NOTICE

Make sure the dome is attached in operation mode, otherwise focus may be affected.

AXIS P55 Network Camera Series



- 1 Sealing ring
- 2 Top cover
- 3 Dome
- 4 Dome ring
- 5 Dome ring screws (8x)
- 6 Status indicator LED
- 7 Control button
- 8 SD card slot
- 9 Restart button



- 1 Mounting plate
- 2 Mounting plate screws (3x)
- 3 Bracket arm (3x)
- 4 Bracket arm screw (3x) and washer (3x)
- 5 Mounting bracket
- 6 Trim ring
- 7 Safety wire
- 8 Unit holders (3x)
- 9 Camera base lid
- 10 Camera base lid screws (4x)
- 11 Hook for safety wire
- 12 Part number (P/N) Et Serial number (S/N). Serial number may be required during installation.
- 13 Cable tracks
- 14 Multi-connector (for indoor version only)
- 15 Top cover screws (4x)
- 16 Top cover
- 17 Rubber gasket

AXIS P55 Network Camera Series

LED Indicators

Status LED	Indication
Unlit	Connection and normal operation.
Green	Shows steady green for 10 seconds for normal operation after startup completed.
Amber	Steady during startup. Flashes during firmware upgrade.
Amber/Red	Flashes amber/red if network connection is unavailable or lost.

Connectors and Buttons

For specifications and operating conditions, see *page 15*.

Network Connector

RJ45 Ethernet connector with Power over Ethernet (PoE).

NOTICE

The product shall be connected using a shielded network cable (STP). All cables connecting the product to the network shall be intended for their specific use. Make sure that the network devices are installed in accordance with the manufacturer's instructions. For information about regulatory requirements, see *Electromagnetic Compatibility (EMC) on page 2*.

Control Button

For location of the control button, see *Hardware Overview on page 9*.

The control button is used for:

- Resetting the product to factory default settings. See *page 22*.
- Connecting to an AXIS Video Hosting System service or AXIS Internet Dynamic DNS Service. For more information about these services, see the User Manual.

Restart Button

Press the restart button to restart the product.

SD Card Slot

NOTICE

- Risk of damage to SD card. Do not use sharp tools or excessive force when inserting or removing the SD card.
- Risk of data loss. To prevent data corruption, the SD card should be unmounted before removal. To unmount, go to **Setup > System Options > Storage > SD Card** and click **Unmount**.

This product supports SD/SDHC/SDXC cards (not included).

For SD card recommendations, see www.axis.com

Multi-Connector Cable (sold separately)

When connecting external equipment to the Axis product, a multi-connector cable (available from Axis) is required in order to maintain the product's IP rating. The multi-connector cable can be purchased from your Axis reseller.

Connect the multi-connector cable to the product's multi-connector. To locate the multi-connector, see *Hardware Overview on page 9*. The cable provides the following connectors:

Power connector – 3-pin terminal block used for power input. See image below. Use a Safety Extra Low Voltage (SELV) compliant limited power source (LPS) with either a rated output power limited to ≤ 100 W or a rated output current limited to ≤ 5 A.

Audio in (pink) – 3.5 mm input for a mono microphone, or a line-in mono signal (left channel is used from a stereo signal).

Audio out (green) – 3.5 mm output for audio (line level) that can be connected to a public address (PA) system or an active speaker with a built-in amplifier. A stereo connector must be used for the audio out.

I/O terminal connector – Use with external devices in combination with, for example, tampering alarms, motion detection, event triggering, time lapse recording and alarm notifications. In addition to the 0 V DC reference point and power (DC output), the I/O connector provides the interface to:

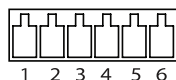
- **Digital output** – For connecting external devices such as relays and LEDs. Connected devices can be activated by the VAPIX® Application Programming Interface, output buttons on the Live View page or by an Action Rule. The output will show as active (shown under **System Options > Port & Devices > Port Status**) if the alarm device is activated.
- **Digital input** – An alarm input for connecting devices that can toggle between an open and closed circuit, for example: PIRs, door/window contacts, glass break detectors, etc. When a signal is received the state changes and the input becomes active (shown under **System Options > Port & Devices > Port Status**).

AXIS P55 Network Camera Series

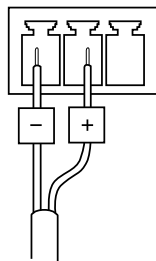
Function	Pin	Notes	Specifications
0 V DC (-)	1		
DC output	2	Can be used to power auxiliary equipment. Note: This pin can only be used as power out.	3.3 V DC Max load = 250 mA
Configurable (Input or Output)	3-6	Digital input – Connect to pin 1 to activate, or leave floating (unconnected) to deactivate.	0 to max 40 V DC
		Digital output – Connected to pin 1 when activated, floating (unconnected) when deactivated. If used with an inductive load, e.g. a relay, a diode must be connected in parallel with the load, for protection against voltage transients.	0 to max 40 V DC, open drain, 100 mA

For an example diagram, see *Connection Diagrams* on page 15.

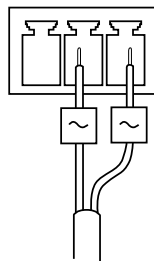
I/O connector



DC power input

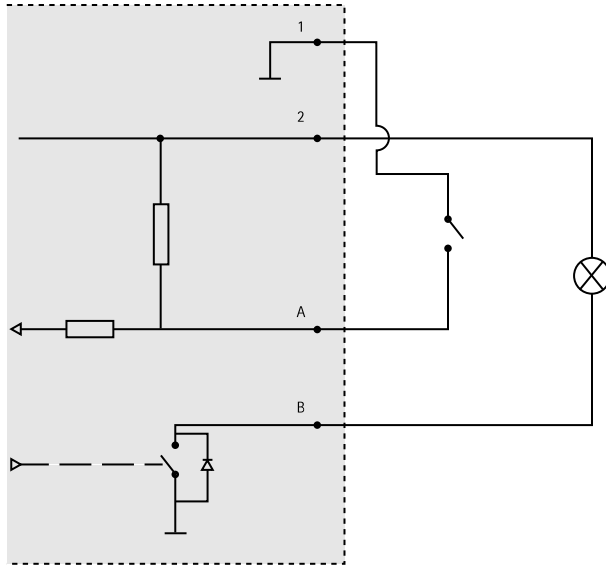


AC power input



Connection Diagrams

I/O Connector



- 1 0 V DC (-)
- 2 DC output 3.3 V, max 250 mA
- A I/O configured as input
- B I/O configured as output

Specifications

Operating Conditions

Classification	Temperature	Humidity
IEC 60721-4-3 Class 3K3, 3M3 + B38 IEC 60068-2	0 °C to 50 °C (32 °F to 122 °F)	Humidity 15-85% RH (non-condensing)

AXIS P55 Network Camera Series

Power Consumption

NOTICE

Use a limited power source (LPS) with either a rated output power limited to ≤ 100 W or a rated output current limited to ≤ 5 A.

PoE	AC	DC
Power over Ethernet (PoE) IEEE 802.3af/802.3at Type 1 Class 3 max. 12.95 W	20-28 V DC, max. 22 VA	20-24 V AC, max 13.5 W

Install the Hardware

NOTICE

Mount the product with the dome facing downward.

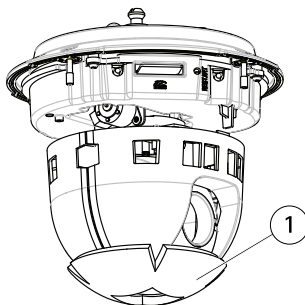
Read all the instructions before preparing to install the network camera since several installation preparation steps require removing the top cover and would benefit from being completed together.

- Remove the protective packaging before installing the camera.
- The product is supplied with a clear transparent dome cover (premounted) and a smoked transparent dome cover. To replace the dome cover, see *page 17*.
- A standard or high capacity SD card (not included) can be used to store recordings locally in the product. See *page 17*.
- To install the product using a compatible bracket from AXIS T91A Mounting Accessories (sold separately), see *page 20*.

Remove the Protective Packaging

See *Hardware Overview on page 9* for location of components.

1. Loosen the four top cover screws and remove the top cover.
2. Remove the protective packaging.



1 Protective packaging

3. To replace the clear/smoked dome cover, see [page 17](#). To install an SD card see [page 17](#).
4. Put the top cover back in its original position and fasten two diagonally opposite screws first (torque < 0.7 Nm), and then the two other screws.

Replace the Dome Cover

Note

Be careful not to scratch or damage the dome cover. If possible, keep the protective plastic on the dome cover until the installation is complete.

Replacing the dome cover is only necessary if you want to use the smoked dome cover or if the dome cover is scratched or damaged. Spare dome covers can be purchased from your Axis reseller.

See *Hardware Overview* on [page 9](#) for location of components.

1. Loosen the top cover screws and remove the top cover.
2. Remove the 8 dome ring screws and remove the dome ring from the top cover.
3. Attach the dome ring and the replacement dome cover to the top cover and secure by tightening the screws (torque 0.4 to 0.6 Nm).
4. To install an SD card (not included), see [page 17](#).
5. Put the top cover back in its original position and fasten diagonally two opposite screws (torque < 0.7 Nm), and then the other screws.

Install an SD Card

NOTICE

To prevent corruption of recordings, the SD card should be unmounted before it is ejected. To unmount, go to **Setup > System Options > Storage > SD Card** and click **Unmount**.

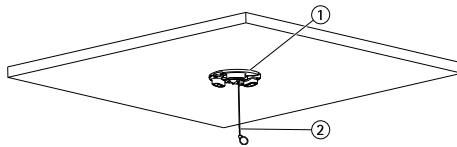
AXIS P55 Network Camera Series

It is optional to install a standard or high capacity SD card (not included), which can be used for local recording with removable storage.

See *Hardware Overview on page 9* for location of components.

1. Loosen the 4 top cover screws and remove the top cover.
2. Insert an SD card (not included) into the SD card slot.
3. Put the top cover back in its original position and fasten two diagonally opposite screws first (torque < 0.7 Nm), and then the other screws.

Hard Ceiling Mount

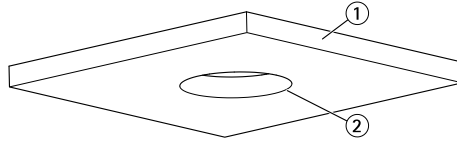


1. *Mounting plate*
2. *Security wire*

To install the mounting plate:

1. Use the supplied drill template to position the holes. Use drill bits, screws, and plugs appropriate for the ceiling material.
2. Install the mounting plate.
3. Loosen the 4 camera base lid screws and remove the camera base lid. See *Hardware Overview on page 11*. Be careful not to damage the cables while connecting them.
4. Route and connect the network cable and multi-connector cable (optional) along the cable tracks and through the holes in the rubber gasket.
5. Put the camera base lid back in its original position and fasten the screws.
6. Secure the camera using the supplied safety wire.
7. Slide the unit holders on the network camera into the slots on the mounting plate and rotate the camera unit.

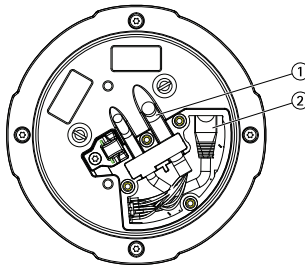
Drop Ceiling Mount



1. Ceiling tile
2. Diameter of hole 190 mm (7.5 in)

Note

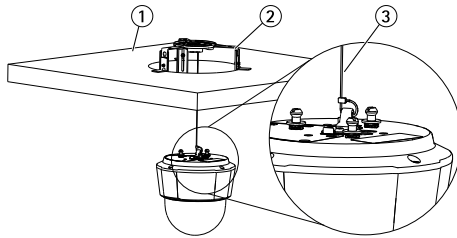
- The combined weight of the camera and ceiling mount is approximately 2.3 kg (5.1 lb.). Check that the ceiling material is strong enough to support this weight.
 - The ceiling tile should be 5–60 mm (0.2–2.4 in) thick.
1. Remove the ceiling tile in which the drop ceiling mount is to be fitted.
 2. Use the supplied template to mark the position for the 189.5 mm (7.5 in) hole in the ceiling tile. Cut around the template.
 3. Assemble the ceiling bracket.
 4. Place the ceiling bracket on the ceiling tile. See illustration further down.
 5. Tighten the bracket arm screws using a torx 20 screwdriver head.
 6. Loosen the 4 camera base lid screws and remove the camera base lid. (see Hardware Overview on *page 11*).
 7. Remove the rubber gasket and route the network cable and the multi-connector cable if required. Be careful not to damage the cables when connecting to the network camera.



1. Multi-connector cable
2. Network cable

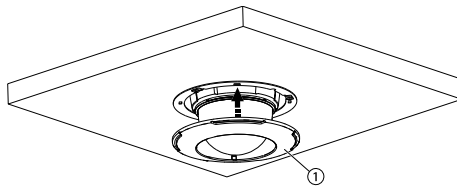
8. Put the camera base lid back in its original position and fasten the screws.
9. Secure the camera using the supplied safety wire.

AXIS P55 Network Camera Series



1. Ceiling tile
2. Ceiling bracket
3. Safety wire

10. Slide the unit holders on the network camera into the slots on the mounting plate and rotate the camera unit
11. Install the ceiling tile, with the camera mounted, into the ceiling.
12. Place the trim ring over the ceiling bracket and snap it into place.

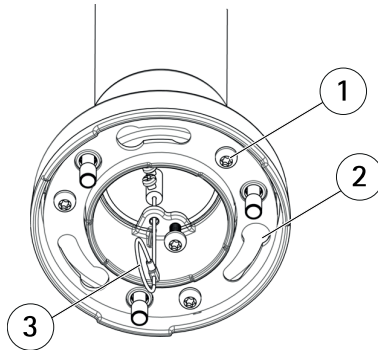


1. Trim ring

Install the Camera on a Bracket Mount (sold separately)

▲WARNING

- Risk of electric shock. The product shall be grounded using a grounding wire. Make sure both ends of the grounding wire are in contact with their respective grounding surfaces.
1. Install the bracket (not included) according to the instructions supplied with the bracket. If drilling is required, make sure to use drill bits, screws and plugs that are appropriate for the material. See www.axis.com for information on available mounting accessories.
 2. Secure the camera using the supplied safety wire.
 3. Loosen the camera base lid screws and remove the camera base lid.



- 1 Screw
- 2 Slots for unit holders
- 3 Safety wire

Note

- Be careful not to damage the cables when connecting them.
 - Make sure that the foam gasket holes are aligned with the cable tracks and, if applicable, remove the cut-out piece for the multi-connector cable from the foam gasket.
4. Connect the network cable and the multi-connector cable (sold separately), if applicable, to the camera.
 5. Turn the cable holders to keep the cables in place.
 6. Put the camera base lid back in its original position and tighten the screws (torque 1.5 Nm).
 7. Slide the unit holders on the network camera into the slots in the mounting bracket and rotate the camera unit.
 8. Secure the network camera to the mounting bracket by tightening the screws.

Access the Product

AXIS IP Utility and AXIS Camera Management are recommended methods for finding Axis products on the network and assigning them IP addresses in Windows®. Both applications are free and can be downloaded from www.axis.com/techsup

The product can be used with most operating systems and browsers. The recommended browsers are

- Internet Explorer® with Windows®
- Safari® with OS X®
- Chrome™ or Firefox® with other operating systems.

For more information about using the product, see the User Manual available at www.axis.com

Reset to Factory Default Settings

Important

Reset to factory default should be used with caution. A reset to factory default will reset all settings, including the IP address, to the factory default values.

Note

The installation and management software tools are available from the support pages on www.axis.com/techsup

To reset the product to the factory default settings:

1. Press and hold the control button and the restart button at the same time.
2. Release the restart button but continue to hold down the control button for 15–30 seconds until the status LED indicator flashes amber.
3. Release the control button. The process is complete when the status LED indicator turns green. The product has been reset to the factory default settings. If no DHCP server is available on the network, the default IP address is 192.168.0.90
4. Using the installation and management software tools, assign an IP address, set the password and access the video stream

It is also possible to reset parameters to factory default via the web interface. Go to **Setup > System Options > Maintenance**.

Further Information

The User Manual is available at www.axis.com

Visit www.axis.com/techsup to check if there is updated firmware available for your network product. To see the currently installed firmware version, go to **Setup > About**.

Visit Axis learning center www.axis.com/academy for useful trainings, webinars, tutorials and guides.

Warranty Information

For information about Axis' product warranty and thereto related information, see www.axis.com/warranty/

Informations sur la sécurité

Lisez attentivement ce guide d'installation avant d'installer l'appareil. Conservez le guide d'installation pour toute référence ultérieure.

Niveaux de risques

▲DANGER

Indique une situation dangereuse qui, si elle n'est pas évitée, entraînera le décès ou des blessures graves.

▲AVERTISSEMENT

Indique une situation dangereuse qui, si elle n'est pas évitée, pourrait entraîner le décès ou des blessures graves.

▲ATTENTION

Indique une situation dangereuse qui, si elle n'est pas évitée, pourrait entraîner des blessures légères ou modérées.

AVIS

Indique une situation qui, si elle n'est pas évitée, pourrait endommager l'appareil.

Autres niveaux de message

Important

Indique les informations importantes, nécessaires pour assurer le bon fonctionnement de l'appareil.

Note

Indique les informations utiles qui permettront d'obtenir le fonctionnement optimal de l'appareil.

Consignes de sécurité

AVIS

- Le produit Axis doit être utilisé conformément aux lois et réglementations locales en vigueur.
- Pour pouvoir utiliser le produit Axis à l'extérieur, ou dans des environnements similaires, il doit être installé dans un boîtier d'extérieur homologué.
- Conserver ce produit Axis dans un environnement sec et ventilé.
- Ne pas exposer ce produit Axis aux chocs ou aux fortes pressions.
- Ne pas installer ce produit sur des supports, surfaces ou murs instables.
- Ne pas pointer l'objectif vers le soleil ou d'autres sources de rayonnement à haute intensité, car cela pourrait causer des dommages à la caméra.
- Utiliser uniquement des outils recommandés pour l'installation de l'appareil Axis. L'application d'une force excessive sur l'appareil avec des outils puissants pourrait l'endommager.
- Ne pas utiliser de produits chimiques, de substances caustiques ou de nettoyeurs pressurisés.
- Utiliser un chiffon propre imbibé d'eau pure pour le nettoyage.
- Utiliser uniquement des accessoires conformes aux caractéristiques techniques du produit. Ils peuvent être fournis par Axis ou un tiers.
- Utiliser uniquement les pièces de rechange fournies ou recommandées par Axis.
- Ne pas essayer de réparer ce produit par vous-même. Contacter l'assistance technique d'Axis ou votre revendeur Axis pour des problèmes liés à l'entretien.
- Ne pas pointer l'objectif vers le soleil ou d'autres sources de rayonnement à haute intensité, car cela pourrait causer des dommages à la caméra.

Transport

AVIS

- Conservez l'emballage de protection. Lors du transport du produit Axis, l'emballage de protection doit être remis dans sa position d'origine.
- Lors du transport du produit Axis, utilisez l'emballage d'origine ou un équivalent pour éviter d'endommager le produit.

Batterie

Le produit Axis utilise une batterie au lithium BR/CR2032 3,0 V comme alimentation de son horloge en temps réel interne (RTC). Dans des conditions normales, cette batterie a une durée de vie minimale de cinq ans.

Si la batterie est faible, le fonctionnement de l'horloge en temps réel peut être affecté et entraîner sa réinitialisation à chaque mise sous tension. Un message enregistré apparaît dans le rapport de serveur du produit lorsque la batterie doit être remplacée. Pour tout complément d'information concernant le rapport de serveur, reportez-vous aux pages de Configuration du produit ou contactez l'assistance technique d'Axis.

La batterie doit être remplacée uniquement en cas de besoin, et pour ce faire, contactez l'assistance technique d'Axis à l'adresse www.axis.com/techsup et obtenir de l'aide.

▲AVERTISSEMENT

- Risque d'explosion si la batterie est remplacée de façon incorrecte.
- Remplacez-la uniquement par une batterie identique ou une batterie recommandée par Axis.
- Mettez au rebut les batteries usagées conformément aux réglementations locales ou aux instructions du fabricant de la batterie.

Couvercle de dôme

AVIS

- Veillez à ne pas rayer, endommager ou laisser d'empreintes sur le couvercle du dôme car cela pourrait altérer la qualité d'image. Laissez, si possible, la protection en plastique sur le couvercle du dôme jusqu'à la fin de l'installation.
- Ne nettoyez pas le couvercle du dôme s'il semble propre à l'œil nu et ne frottez jamais sa surface. Un nettoyage excessif pourrait endommager la surface.
- Pour le nettoyage général du couvercle du dôme, il est recommandé d'utiliser un produit non abrasif, un savon neutre sans solvant ou un détergent mélangé avec de l'eau pure et un chiffon doux propre. Rincez bien à l'eau tiède pure. Séchez avec un chiffon doux et propre pour éviter les taches d'eau.
- N'utilisez jamais de détergents agressifs, d'essence, de benzène ou d'acétone, etc. et évitez toute exposition directe aux rayons du soleil ou à des températures élevées lors du nettoyage.

Guide d'installation

Ce guide d'installation explique comment installer la caméra dôme réseau AXIS P5514/P5515 PTZ sur votre réseau. Pour toute autre information relative à l'utilisation du produit, consultez le manuel de l'utilisateur disponible sur le site www.axis.com

Procédures d'installation

1. Assurez-vous que les outils et autres matériels nécessaires à l'installation sont inclus dans l'emballage. Cf. *page 27*.
2. Consultez la description du matériel. Cf. *page 27*.
3. Étudiez les caractéristiques. Cf. *page 33*.
4. Installez le matériel. Cf. *page 34*.
5. Utilisez le produit. Cf. *page 39*.

Contenu de l'emballage

- Caméra dôme réseau AXIS P5514/P5515 PTZ
- Kit de fixation pour plafonds et faux plafonds
- Couvercle de dôme transparent non fumé (prémonté)
- Couvercle de dôme fumé
- Documents imprimés
 - Guide d'installation (ce document)
 - Étiquette supplémentaire de numéro de série (x2)
 - Clé d'authentification AVHS

Accessoires en option

- Accessoires de montage AXIS T91A
- Kit de fixation suspendu AXIS T94A03L

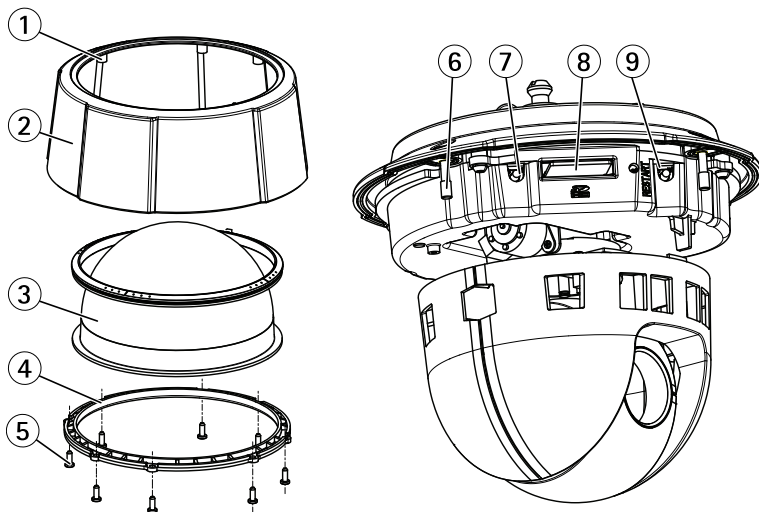
Pour plus d'informations sur les accessoires disponibles, consultez le site www.axis.com

Aperçu du matériel

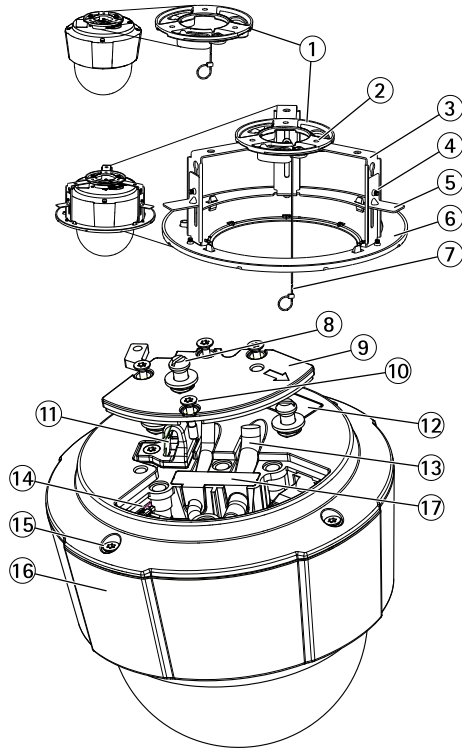
AVIS

Vérifiez que le dôme est fixé en mode de fonctionnement, sinon la mise au point peut en être affectée.

AXIS P55 Network Camera Series



- 1 Anneau d'étanchéité
- 2 Couvercle supérieur
- 3 Dôme
- 4 Garniture pour caméra dôme
- 5 Vis de la garniture pour caméra dôme (x8)
- 6 Voyant d'état
- 7 Bouton de commande
- 8 Emplacement pour carte SD
- 9 Bouton de redémarrage



- 1 *Plaque de montage*
- 2 *Vis de la plaque de montage (x3)*
- 3 *Bras du support (x3)*
- 4 *Vis (x3) et rondelle (x3) du bras du support*
- 5 *Support de fixation*
- 6 *Garniture*
- 7 *Câble de sécurité*
- 8 *Supports de l'appareil (x3)*
- 9 *Couvercle sur la base de la caméra*
- 10 *Vis du couvercle de base de la caméra (x4)*
- 11 *Crochet pour câble de sécurité*
- 12 *Référence (P/N) et numéro de série (S/N). Le numéro de série peut être requis pendant l'installation.*
- 13 *Passages pour câble*
- 14 *Multiconnecteur (pour version intérieure uniquement)*
- 15 *Vis du couvercle supérieur (x4)*
- 16 *Couvercle supérieur*
- 17 *Joint en caoutchouc*

Voyants

Voyant d'état	Indication
Éteint	Branchement et fonctionnement normal.
Vert	Vert fixe pendant 10 secondes pour indiquer un fonctionnement normal après le démarrage.
Orange	Fixe pendant le démarrage. Clignote pendant la mise à niveau du microprogramme.
Orange / Rouge	Clignote en orange/rouge en cas d'indisponibilité ou de perte de la connexion réseau.

Connecteurs et boutons

Pour les caractéristiques et les conditions d'utilisation, consultez *page 33*.

Connecteur réseau

Connecteur Ethernet RJ45 avec l'alimentation par Ethernet (PoE).

AVIS

Le produit doit être connecté à l'aide d'un câble réseau blindé (STP). Tous les câbles reliant le produit au commutateur réseau doivent être destinés à leur usage spécifique. Assurez-vous que les périphériques réseau sont installés conformément aux instructions du fabricant. Pour plus d'informations sur les exigences réglementaires, consultez *Electromagnetic Compatibility (EMC) on page 2*.

Bouton de commande

Pour connaître l'emplacement du bouton de commande, consultez *Aperçu du matériel page 27*.

Le bouton de commande permet de réaliser les opérations suivantes :

- Réinitialisation du produit aux paramètres d'usine par défaut. Cf. *page 40*.
- Connexion au service du Système d'hébergement vidéo AXIS ou au service AXIS Internet Dynamic DNS. Pour plus d'informations sur ces services, reportez-vous au Manuel de l'utilisateur.

Bouton de redémarrage

Appuyez sur le bouton de redémarrage pour redémarrer l'appareil.

Emplacement pour carte SD

AVIS

- La carte SD risque d'être endommagée. Ne pas utiliser d'outils tranchants et ne pas forcer lors de l'insertion ou du retrait de la carte SD.
- Risque de perte de données. Pour éviter la corruption des données, la carte SD doit être démontée avant son retrait. Pour ce faire, rendez-vous dans **Setup > System Options > Storage > SD Card (Configuration > Options du système > Stockage > Carte SD)** et cliquez sur **Unmount (Démonter)**.

Cet appareil est compatible avec une carte SD/SDHC/SDXC (non incluse).

Pour obtenir des conseils sur la carte SD, rendez-vous sur www.axis.com

Câble multiconnecteurs (vendu séparément)

Lorsque vous connectez un équipement externe à l'appareil Axis, un câble multiconnecteurs (disponible chez Axis) est nécessaire pour maintenir la protection IP de l'appareil. Le câble multiconnecteurs peut être acheté auprès d'un revendeur Axis.

Connectez le câble multiconnecteurs sur le multiconnecteur de l'appareil. Pour localiser le multiconnecteur, reportez-vous à *Aperçu du matériel* page 27. Le câble fournit les connecteurs suivants :

Connecteur d'alimentation – Bloc terminal à 3 broches utilisé pour l'alimentation à l'arrivée. Voir l'image ci-dessous. Utilisez une source d'alimentation limitée (LPS) conforme aux exigences de Très basse tension de sécurité (TBTS) dont la puissance de sortie nominale est limitée à ≤ 100 W ou dont le courant de sortie nominal est limité à ≤ 5 A.

Entrée audio (rose) – Entrée de 3,5 mm pour microphone mono ou signal mono avec entrée de ligne (le canal gauche d'un signal stéréo est utilisé).

Sortie audio (verte) – Sortie audio de 3,5 mm (niveau de ligne) qui peut être connectée à un système de sonorisation (PA) ou à un haut-parleur actif avec amplificateur intégré. Un connecteur stéréo doit être utilisé pour la sortie audio.

Connecteur pour terminal E/S – Utilisez avec des périphériques externes associés aux applications telles que les alarmes de détérioration, la détection de mouvement, le déclenchement d'événements, l'enregistrement à intervalles et les notifications d'alarme. En plus du point de référence 0 V CC et de l'alimentation (sortie CC), le connecteur d'E/S fournit une interface aux éléments suivants :

- Sortie numérique – Permet de connecter des dispositifs externes, comme des relais ou des voyants. Les appareils connectés peuvent être activés par l'interface de programmation VAPIX®, les boutons de sortie sur la page Live View (Vidéo en direct) ou par une règle d'action. La sortie est considérée comme étant active (affichée dans **System Options > Port & Devices > Port Status (Options système > Port et périphériques > État du port)**) si le dispositif de l'alarme est activé.

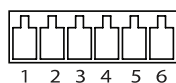
AXIS P55 Network Camera Series

- Entrée numérique – Entrée d'alarme utilisée pour connecter des dispositifs pouvant passer d'un circuit ouvert à un circuit fermé, par exemple : détecteurs infrarouge passifs, contacts de porte/fenêtre, détecteurs de bris de verre, etc. À la réception d'un signal, l'état change et l'entrée s'active (sous System Options > Port & Devices > Port Status (Options du système > Port et dispositifs > État du port)).

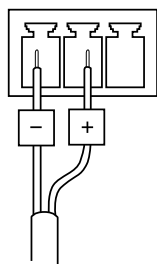
Fonction	Broche	Notes	Caractéristiques
0 V CC (-)	1		
Sortie CC	2	Peut servir à alimenter le matériel auxiliaire. Remarque : cette broche ne peut être utilisée que comme sortie d'alimentation.	3.3 V CC Charge maximale = 250 mA
Configurable (entrée ou sortie)	3-6	Entrée numérique – Connectez-la à la broche 1 pour l'activer ou laissez-la flotter (déconnectée) pour la désactiver.	0 à 40 V CC
		Sortie numérique – Connectée à la broche 1 lorsqu'elle est activée, flotte (déconnectée) lorsqu'elle est désactivée. Si vous l'utilisez avec une charge inductive, par exemple un relais, une diode doit être connectée en parallèle avec la charge, en guise de protection contre les tensions transitoires.	0 à 40 V CC max., drain ouvert, 100 mA

Pour un exemple de schéma, consultez *Schémas de connexion* page 33.

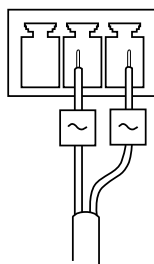
Connecteur d'E/S



Entrée d'alimentation CC

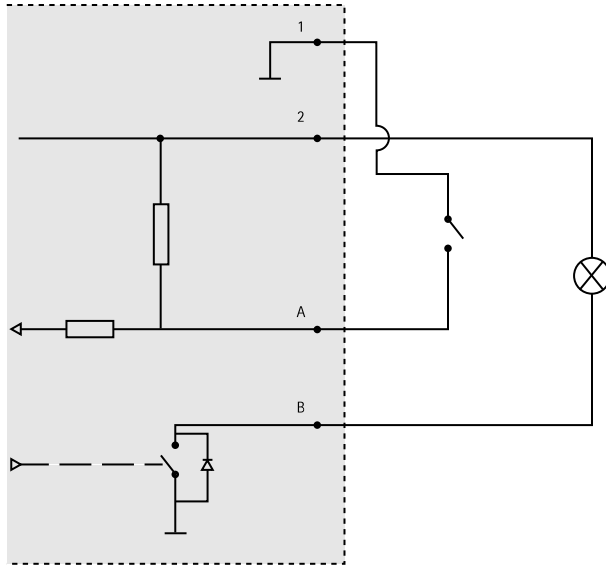


Entrée d'alimentation CA



Schémas de connexion

Connecteur d'E/S



- 1 0 V CC (-)
- 2 Sortie CC 3,3 V, maxi. 250 mA
- A Entrée/sortie configurée comme entrée
- B Entrée/sortie configurée comme sortie

Caractéristiques techniques

Conditions d'utilisation

Classification	Température	Humidité
IEC 60721-4-3 Classe 3K3, 3M3 + B38 IEC 60068-2	0 °C à 50 °C (32 °F à 122 °F)	Humidité relative de 15 à 85 % (sans condensation)

Consommation électrique

AVIS

Utilisez une source d'alimentation limitée (LPS) dont la puissance de sortie nominale est limitée à ≤ 100 W ou dont le courant de sortie nominal est limité à ≤ 5 A.

PoE	CA	CC
Alimentation par Ethernet (PoE) IEEE 802.3af/802.3at Type 1 Classe 3 max. 12,95 W	20 à 28 V CC, max. 22 VA	20 à 24 V CA, max. 13,5 W

Installation du matériel

AVIS

Fixez le produit en orientant le dôme vers le bas.

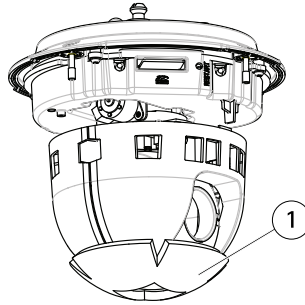
Lisez toutes les instructions avant de préparer l'installation de la caméra réseau. En effet, de nombreuses étapes de cette préparation requièrent le retrait du couvercle supérieur et il serait plus judicieux de les effectuer ensemble.

- Avant l'installation, retirez la caméra de son emballage de protection.
- Ce produit est fourni avec un couvercle de dôme transparent clair (prémonté) et un couvercle de dôme transparent fumé. Pour remplacer le couvercle du dôme, reportez-vous à *page 35*.
- Une carte SD standard ou à haute capacité (non fournie) peut être utilisée pour sauvegarder des enregistrements dans l'appareil. Cf. *page 36*.
- Pour installer l'appareil à l'aide d'un support compatible à partir des accessoires de montage AXIS T91A (vendus séparément), reportez-vous à *page 38*.

Retirez l'emballage de protection

Pour connaître l'emplacement des composants, consultez *Aperçu du matériel page 27*.

1. Desserrez les quatre vis du couvercle supérieur pour le retirer.
2. Retirez l'emballage de protection.



1 Emballage de protection

3. Pour remplacer le couvercle de dôme fumé/non fumé, voir *page 35*. Pour installer une carte SD, consultez *page 36*.
4. Remettez le couvercle supérieur en place et serrez deux vis diamétralement opposées à un couple de $< 0,7 \text{ N m}$ avant de serrer les deux autres vis.

Remplacement du couvercle du dôme

Note

Veillez à ne pas rayer ou endommager la bulle du dôme. Laissez, si possible, la protection en plastique sur le couvercle du dôme jusqu'à la fin de l'installation.

Le remplacement du couvercle du dôme est nécessaire seulement si vous souhaitez utiliser le couvercle de dôme fumé ou si le couvercle du dôme est rayé ou endommagé. Vous pouvez acheter des couvercles de dôme fumés de rechange auprès de votre revendeur Axis.

Pour connaître l'emplacement des composants, consultez *Aperçu du matériel page 27*.

1. Desserrez les vis du couvercle supérieur pour le retirer.
2. Desserrez les 8 vis de l'anneau du dôme, puis retirez ce dernier du couvercle supérieur.
3. Fixez l'anneau et la bulle de remplacement du dôme sur le couvercle supérieur, puis serrez les vis (couple $0,4$ à $0,6 \text{ N m}$).
4. Pour installer une carte SD (non incluse), reportez-vous à *page 36*.
5. Remettez le couvercle supérieur en place et serrez deux vis opposées à un couple de $< 0,7 \text{ N m}$ avant de serrer les autres vis.

Installation d'une carte SD

AVIS

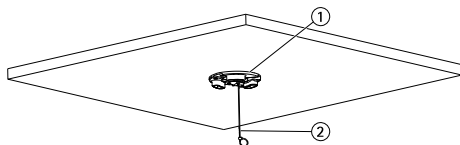
Pour éviter la corruption des enregistrements, la carte SD doit être démontée avant son éjection. Pour ce faire, rendez-vous dans **Setup > System Options > Storage > SD Card (Configuration > Options du système > Stockage > Carte SD)** et cliquez sur **Unmount (Démonter)**.

Il est possible, en option, d'installer une carte SD standard ou à haute capacité (non fournie) qui peut être utilisée pour l'enregistrement local et le stockage amovible.

Pour connaître l'emplacement des composants, consultez *Aperçu du matériel* page 27.

1. Desserrez les 4 vis du couvercle supérieur pour le retirer.
2. Insérez une carte SD (non fournie) dans l'emplacement pour carte SD.
3. Remettez le couvercle supérieur en place et serrez deux vis diamétralement opposées à un couple de < 0,7 N m avant de serrer les deux autres.

Fixation au plafond de la caméra

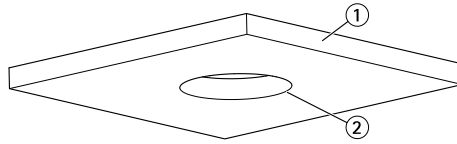


1. *Plaque de montage*
2. *Fil de sécurité*

Installation de la plaque de montage :

1. Marquez les emplacements des trous à l'aide du gabarit de perçage fourni. Utilisez des forets, des vis et des chevilles appropriés au matériau du plafond.
2. Installation de la plaque de montage.
3. Dévissez les 4 vis fixant le couvercle sur la base de la caméra et retirez le couvercle de la base. Reportez-vous à *Vue d'ensemble du matériel* à la page 29. Veillez à ne pas endommager les câbles lorsque vous les connectez.
4. Acheminez et connectez le câble réseau et le câble multiconnecteurs (en option) le long des passages pour câble et à travers les orifices dans le joint en caoutchouc.
5. Remettez en place le couvercle de base de la caméra, puis serrez les vis.
6. Sécurisez la caméra à l'aide du câble de sécurité fourni.
7. Glissez les supports de l'appareil sur la caméra réseau dans les fentes de la plaque de montage et faites tourner la caméra.

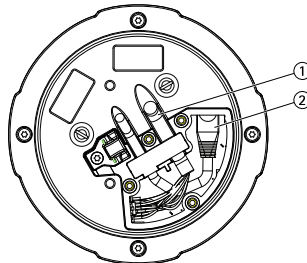
Fixation au faux-plafond



1. *Dalle de plafond*
2. *Diamètre du trou 190 mm (7,5 po)*

Note

- Le poids cumulé de la caméra et du kit de montage est d'environ 2,3 kg (5,1 lb). Assurez-vous que le matériau du plafond est suffisamment solide pour supporter ce poids.
 - La dalle de plafond doit avoir une épaisseur comprise entre 5 et 60 mm (0,2 et 2,4 po).
1. Retirez la dalle de plafond sur laquelle la fixation pour faux-plafond doit être montée.
 2. Utilisez le gabarit fourni pour marquer l'emplacement du trou de 189,5 mm (7,5 po) dans la plaque de plafond. Faites un trou suivant le contour du gabarit.
 3. Assemblez le support pour installation au plafond.
 4. Placez le support sur la plaque de plafond. Reportez-vous à l'illustration ci-dessous.
 5. Serrez les vis du bras de support à l'aide d'un tournevis torx 20.
 6. Dévissez les 4 vis fixant le couvercle sur la base de la caméra et retirez le couvercle de la base. (reportez-vous à Vue d'ensemble du matériel à la *page 29*).
 7. Retirez le joint en caoutchouc et acheminez le câble réseau et le câble multiconnecteurs, le cas échéant. Veillez à ne pas endommager les câbles lors du branchement à la caméra réseau.

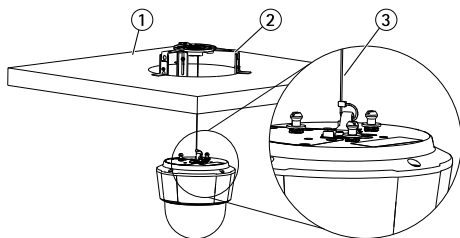


1. *Câble multiconnecteurs*
2. *Câble réseau*

8. Remettez en place le couvercle de base de la caméra, puis serrez les vis.

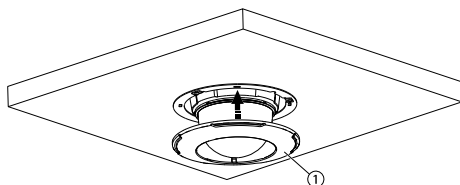
AXIS P55 Network Camera Series

9. Sécurisez la caméra à l'aide du câble de sécurité fourni.



1. *Dalle de plafond*
2. *Support plafonnier*
3. *Câble de sécurité*

10. Glissez les supports de l'appareil sur la caméra réseau dans les fentes de la plaque de montage et faites tourner la caméra
11. Installez la plaque de plafond (avec la caméra déjà montée) dans le plafond.
12. Placez la rondelle décorative sur le support, puis enclenchez-la.

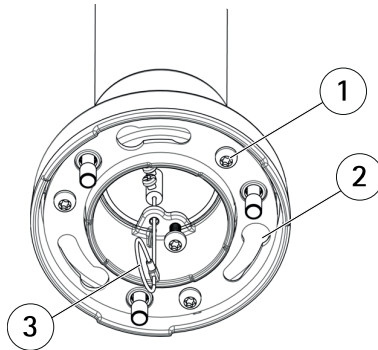


1. *Garniture*

Installation de la caméra sur un support mural (vendu séparément)

⚠️ AVERTISSEMENT

- Risque de choc électrique. Le produit doit être mis à la terre à l'aide d'un câble de mise à la terre. Assurez-vous que les deux extrémités du câble de mise à la terre sont en contact avec les surfaces de mise à la terre correspondantes.
1. Installez le support (non fourni) conformément aux instructions fournies avec le support. S'il s'avère nécessaire de percer, vérifiez que les forets, vis et chevilles à utiliser sont appropriés pour le matériau. Consultez le site www.axis.com pour plus d'informations sur les accessoires de montage disponibles.
 2. Sécurisez la caméra à l'aide du câble de sécurité fourni.
 3. Dévissez les vis fixant le couvercle sur la base de la caméra et retirez le couvercle de la base.



- 1 Vis
- 2 Supports de rack
- 3 Câble de sécurité

Note

- Veillez à ne pas endommager les câbles lorsque vous les connectez.
 - Assurez-vous que les trous du joint en mousse sont alignés avec les porte-câbles et, le cas échéant, retirez la pièce découpée du câble multiconnecteurs sur le joint en mousse.
4. Connectez le câble réseau et le câble multiconnecteurs (vendus séparément), le cas échéant, à la caméra.
 5. Retournez les supports des câbles pour maintenir les câbles en place.
 6. Remettez le couvercle sur la base de la caméra dans sa position d'origine et serrez les vis (couple 1,5 Nm).
 7. Glissez les supports de l'appareil sur la caméra réseau dans les fentes du support de montage et faites tourner la caméra.
 8. Sécurisez la caméra réseau sur le support de montage en serrant les vis.

Utilisez le produit

Si vous souhaitez rechercher des produits Axis sur le réseau ou leur affecter des adresses IP sous Windows®, nous recommandons l'utilisation des applications AXIS IP Utility et AXIS Camera Management. Ces deux applications sont gratuites et peuvent être téléchargées depuis www.axis.com/techsup

Le produit peut être utilisé avec la plupart des systèmes d'exploitation et des navigateurs. Les navigateurs recommandés sont

- Internet Explorer® avec Windows®,
- Safari® avec OS X®

- Chrome™ ou Firefox® avec les autres systèmes d'exploitation.

Pour plus d'informations concernant l'utilisation du produit, consultez le manuel de l'utilisateur disponible sur le site www.axis.com

Réinitialisation aux paramètres d'usine par défaut

Important

La réinitialisation aux paramètres par défaut doit être utilisée avec prudence. Cette opération reconfigure tous les paramètres, y compris l'adresse IP, aux valeurs d'usine par défaut.

Note

Les logiciels d'installation et de gestion sont disponibles sur les pages d'assistance du site www.axis.com/techsup

Pour réinitialiser l'appareil aux paramètres d'usine par défaut :

1. Appuyez sur le bouton de commande et le bouton de redémarrage en même temps et maintenez-les enfoncés.
2. Relâchez le bouton de redémarrage tout en maintenant le bouton de commande enfoncé pendant 15 à 30 secondes, jusqu'à ce que le voyant clignote en orange.
3. Relâchez le bouton de commande. Le processus est terminé lorsque le voyant d'état passe au vert. Les paramètres d'usine par défaut de l'appareil ont été rétablis. En l'absence d'un serveur DHCP sur le réseau, l'adresse IP par défaut est 192 . 168 . 0 . 90.
4. Utilisez les outils d'installation et de gestion pour attribuer une adresse IP, configurer le mot de passe et accéder au flux de données vidéo.

Il est également possible de rétablir les paramètres d'usine à partir de l'interface Web. Accédez à **Setup > System Options > Maintenance (Configuration > Options du système > Maintenance)**.

Pour obtenir plus de renseignements

Le Manuel de l'utilisateur est disponible à l'adresse suivante : www.axis.com

Consultez le site www.axis.com/techsup pour vérifier si une mise à jour du microprogramme est disponible pour votre appareil réseau. Pour connaître la version du microprogramme actuellement installée, reportez-vous à la page **Setup > About (Configuration > À propos de)**.

Visitez le centre de formation en ligne Axis sur le site www.axis.com/academy pour en savoir plus sur les formations, les webinaires, les tutoriels et les guides.

Informations sur la garantie

Pour obtenir de plus amples informations sur la garantie du produit AXIS et des renseignements connexes, allez sur le site www.axis.com/warranty/

Sicherheitsinformation

Lesen Sie das Installationshandbuch sorgfältig durch bevor sie das Produkt installieren. Bewahren Sie das Installationshandbuch für zukünftige Zwecke auf.

Gefährdungsstufen

▲GEFAHR

Weist auf eine gefährliche Situation hin, die, falls nicht verhindert, zu Tod oder schweren Verletzungen führt.

▲WARNUNG

Weist auf eine gefährliche Situation hin, welche, falls nicht verhindert, zu Tod oder schweren Verletzungen führen kann.

▲VORSICHT

Weist auf eine gefährliche Situation hin, welche, falls nicht verhindert, zu geringfügiger oder mäßiger Verletzung führen kann.

HINWEIS

Weist auf eine gefährliche Situation hin, welche, falls nicht verhindert, zu Sachschäden führen kann.

Weitere Nachrichtenstufen

Wichtig

Weist auf wichtige Informationen hin, die den richtigen Betrieb des Produkts gewährleisten.

Beachten

Weist auf nützliche Informationen hin, die die optimale Verwendung des Produkts unterstützen.

Sicherheitsanweisungen

HINWEIS

- Die Anwendung des Axis Produkts muss unter Beachtung der örtlich geltenden rechtlichen Bestimmungen erfolgen.
- Bei der Anwendung von Axis Produkten im Außenbereich oder ähnlichen Umgebungen, müssen diese in zugelassenen Außengehäusen installiert werden.
- Lagern Sie das Axis Produkt in einer trockenen und belüfteten Umgebung.
- Achten Sie darauf, dass das Axis Produkt weder Stößen noch starkem Druck ausgesetzt ist.
- Installieren Sie das Produkt nicht an instabilen Halterungen, Oberflächen oder Wänden.
- Vermeiden Sie, dass Sie die Kamera direkt in die Sonne oder andere hochintensive Strahlungsquellen ausrichten, da dies Schäden an der Kamera verursachen kann.
- Verwenden Sie bei der Installation des Axis Produkts ausschließlich passende Werkzeuge. Ein zu großer Kraftaufwand mit elektrischen Werkzeugen kann das Produkt beschädigen.
- Verwenden Sie keine chemischen, ätzenden oder aerosolhaltigen Reinigungsmittel.
- Verwenden Sie zum Reinigen ein sauberes, mit lauwarmem Wasser angefeuchtetes Tuch.
- Verwenden Sie nur Zubehör, das den technischen Daten des Produkts entspricht. Dieses ist von Axis oder Drittanbietern erhältlich.
- Verwenden Sie ausschließlich Ersatzteile die von Axis bereitgestellt oder empfohlen werden.
- Versuchen Sie nicht, das Produkt selbstständig zu reparieren. Wenden Sie sich bezüglich Reparatur und Wartung an den Axis Support oder Ihren Axis Händler.
- Vermeiden Sie, dass Sie die Kamera direkt in die Sonne oder andere hochintensive Strahlungsquellen ausrichten, da dies Schäden an der Kamera verursachen kann.

Transport

HINWEIS

- Bewahren Sie die Schutzverpackung auf. Bei Bedarf Axis Produkt in der Originalverpackung transportieren.
- Bei Bedarf transportieren Sie das Axis Produkt in der Originalverpackung oder einer entsprechenden Verpackung, so dass Schäden vermieden werden.

Batterie

Das Axis-Produkt ist mit einer 3,0 V-BR/CR2032-Lithium-Batterie ausgestattet, mit der die interne Echtzeituhr (RTC) versorgt wird. Unter normalen Bedingungen hat die Batterie eine Lebensdauer von mindestens fünf Jahren.

Bei entladener Batterie ist der Betrieb der Echtzeituhr nicht mehr gewährleistet, sodass die Uhr bei jedem Systemstart zurückgesetzt wird. Sie erhalten eine Protokollnachricht im Serverbericht des Produkts, wenn ein Batteriewechsel erforderlich ist. Weitere Informationen über den Serverbericht finden Sie auf den Setup-Seiten des Produkts, oder wenden Sie sich an den Axis Support.

Die Batterie sollte nur bei Bedarf ersetzt werden. Wenden Sie sich in diesem Fall an den Axis Support unter www.axis.com/techsup.

⚠WARNUNG

- Explosionsgefahr bei fehlerhaftem Batteriewechsel.
- Die Batterie darf nur durch eine identische Batterie oder eine von Axis empfohlene Batterie ersetzt werden.
- Verbrauchte Batterien sind gemäß den örtlichen Vorschriften oder den Anweisungen des Herstellers zu entsorgen.

Kuppelabdeckung

HINWEIS

- Achten Sie darauf die Kuppelabdeckung weder zu zerkratzen, zu beschädigen oder darauf Fingerabdrücke zu hinterlassen, da dies die Bildqualität beeinträchtigen kann. Falls möglich entfernen Sie die Schutzfolie erst nachdem die Installation abgeschlossen ist.
- Säubern Sie niemals eine Kuppelabdeckung, wenn diese sauber erscheint, und polieren Sie keinesfalls die Oberfläche. Zu häufiges Säubern kann die Oberfläche beschädigen.
- Für die normale Reinigung der Kuppelabdeckung werden eine nicht-scheuernde, lösungsmittelfreie neutrale Seife oder ein entsprechendes Reinigungsmittel mit destilliertem Wasser und ein sauberer, weicher Lappen empfohlen. Spülen Sie die Kuppelabdeckung gründlich mit lauwarmem destilliertem Wasser ab. Trocknen Sie die Kuppelabdeckung mit einem weichen, sauberen Lappen, um Wasserflecken zu vermeiden.
- Verwenden Sie niemals starke Reinigungsmittel, Benzin, Benzol oder Aceton etc. und vermeiden Sie, die Kuppelabdeckung im direkten Sonnenlicht oder bei erhöhten Temperaturen zu säubern.

Installationsanleitung

In dieser Anleitung wird die Installation der AXIS P5514/P5515 PTZ-Dome-Netzwerk-Kamera in Ihrem Netzwerk beschrieben. Weitere Informationen zur Nutzung dieses Produkts finden Sie im Benutzerhandbuch unter www.axis.com.

Installationschritte

1. Stellen Sie sicher, dass die Packungsinhalte, Werkzeuge und andere notwendige Materialien für die Installation in Ordnung sind. Siehe *Seite 47*.
2. Machen Sie sich mit der Hardware-Übersicht vertraut. Siehe *Seite 47*.
3. Machen Sie sich mit den technischen Daten vertraut. Siehe *Seite 53*.
4. Installieren Sie die Hardware. Siehe *Seite 54*.
5. Greifen Sie auf das Produkt zu. Siehe *Seite 60*.

Lieferumfang

- AXIS P5514/P5515 PTZ-Dome-Netzwerk-Kamera
- Montagesatz für die Befestigung an Massivdecken und abgehängten Decken
- Klare, transparente Kuppelabdeckung (vormontiert)
- Getönte Kuppelabdeckung
- Gedruckte Dokumente
 - Installationsanleitung (dieses Dokument)
 - Zusätzliche Etiketten mit der Seriennummer (2x)
 - AVHS-Authentifizierungsschlüssel

Optionales Zubehör

- AXIS T91A Montagezubehör
- AXIS T94A03L Satz für die versenkte Montage

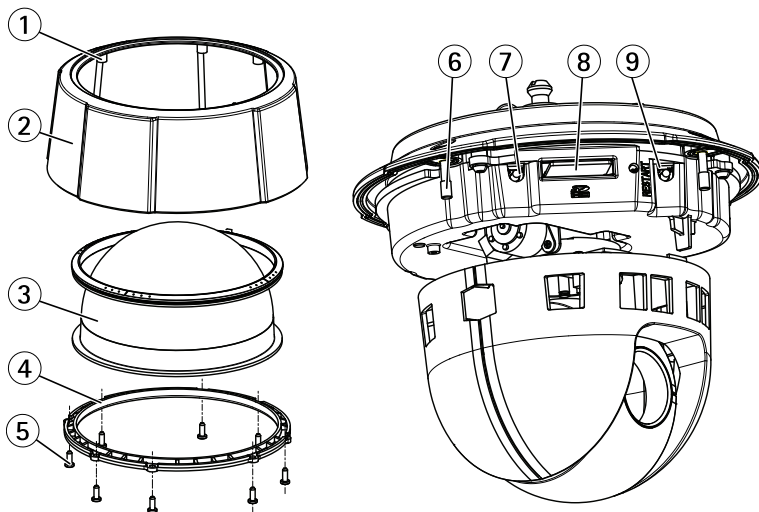
Unter www.axis.com finden Sie Informationen über verfügbares Zubehör.

Übersicht über die Hardware

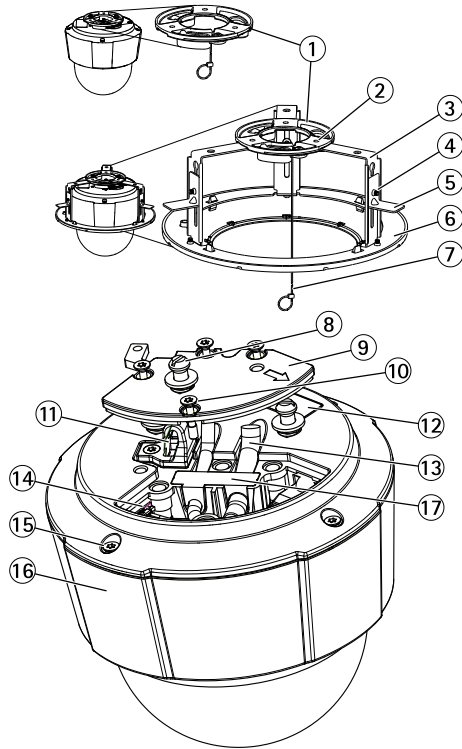
HINWEIS

Stellen Sie sicher, dass die Kuppel bei Betrieb angebracht ist, andernfalls kann der Fokus beeinträchtigt sein.

AXIS P55 Network Camera Series



- 1 *Dichtungsring*
- 2 *Obere Abdeckung*
- 3 *Kuppel*
- 4 *Kuppelring*
- 5 *Kuppelringschrauben (8x)*
- 6 *LED-Statusanzeige*
- 7 *Steuertaste*
- 8 *SD-Kartensteckplatz*
- 9 *Neustart-Taste*



- 1 Montageplatte
- 2 Schrauben für die Montageplatte (3x)
- 3 Halterungsarm (3x)
- 4 Halterungsarmschrauben (3x) und Unterlegscheiben (3x)
- 5 Montagehalterung
- 6 Klemmflansch
- 7 Sicherheitsdraht
- 8 Gerätehalter (3x)
- 9 Kamera-Grundplatte
- 10 Schrauben für die Kamera-Grundplatte (4x)
- 11 Haken für Sicherheitsdraht
- 12 Bestellnummer (P/N) und Seriennummer (S/N). Die Seriennummer wird möglicherweise für die Installation benötigt.
- 13 Kabelführungen
- 14 Mehrfachanschluss (nur Modell für den Innenbereich)
- 15 Schrauben für obere Abdeckung (4x)
- 16 Obere Abdeckung
- 17 Gummidichtung

AXIS P55 Network Camera Series

LEDs

Status-LED	Bedeutung
Leuchtet nicht	Anschluss und Normalbetrieb
Grün	Leuchtet bei Normalbetrieb nach Abschluss des Startvorgangs 10 Sekunden lang grün.
Gelb	Leuchtet beim Start. Blinkt bei der Firmware-Aktualisierung.
Gelb/rot	Blinkt gelb/rot, wenn die Netzwerkverbindung nicht verfügbar ist oder unterbrochen wurde.

Anschlüsse und Tasten

Für die technischen Daten und Betriebsbedingungen siehe *Seite 53*.

Netzwerkanschluss

RJ-45-Ethernetanschluss mit Power over Ethernet (PoE).

HINWEIS

Das Produkt muss mit einem abgeschirmten Netzkabel (STP) angeschlossen werden. Alle Kabel, die das Produkt mit dem Netzwerkschalter verbinden, müssen hierfür ausgelegt sein. Stellen Sie sicher, dass die Netzwerkgeräte gemäß den Anweisungen des Herstellers installiert wurden. Informationen zu gesetzlichen Bestimmungen finden Sie unter *Electromagnetic Compatibility (EMC) on page 2*.

Steuertaste

Die Steuertaste befindet sich an folgender Stelle: *Übersicht über die Hardware auf Seite 47*.

Die Steuertaste hat folgende Funktionen:

- Zurücksetzen des Produkts auf die Werkseinstellungen. Siehe *Seite 60*.
- Verbinden mit einem AXIS Video Hosting System-Service oder einem AXIS Internet Dynamic DNS-Service. Weitere Informationen zu diesen Diensten finden Sie in der Bedienungsanleitung.

Neustart-Taste

Drücken Sie die Neustart-Taste, um das Produkt neu zu starten.

SD-Kartensteckplatz

HINWEIS

- Gefahr von Schäden an der SD-Karte. Verwenden Sie beim Einlegen oder Entfernen der SD-Karte keine scharfen/spitzen Werkzeuge und wenden Sie nicht zu viel Kraft an.
- Gefahr vor Datenverlust. Um einer Beschädigung der Aufnahmen vorzubeugen, sollte die SD-Karte vor dem mechanischen Auswerfen getrennt werden. Rufen Sie zum Trennen **Setup > System Options > Storage > SD Card (Einrichtung > Systemoptionen > Speicher > SD-Karte)** auf und klicken Sie auf **Unmount (Trennen)**.

Dieses Produkt unterstützt SD-/SDHC-/SDXC-Karten (separat erhältlich).

Empfehlungen zu SD-Karten finden Sie unter www.axis.com.

Mehrfachanschlusskabel (separat erhältlich)

Wenn Sie ein externes Gerät mit einem Axis Produkt verbinden möchten, ist ein Mehrfachanschlusskabel (bei Axis erhältlich) erforderlich, um die IP-Schutzklasse des Produktes zu erhalten. Das Mehrfachanschlusskabel können Sie bei Ihrem Axis Händler erwerben.

Schließen Sie das Mehrfachanschlusskabel an den Mehrfachanschluss des Produktes an. Informationen zur Position des Mehrfachanschlusses finden Sie unter *Übersicht über die Hardware auf Seite 47*. Das Kabel weist folgende Anschlüsse auf:

Netzanschluss – 3-poliger Anschlussblock für die Stromversorgung. Siehe Diagramm weiter unten. Verwenden Sie eine mit den Anforderungen für Schutzkleinspannung (SELV) kompatible Stromquelle mit begrenzter Leistung (LPS), entweder mit einer Nennausgangsleistung von ≤ 100 W oder einem dauerhaft auf ≤ 5 A begrenzten Nennausgangsstrom.

Audio-Eingang (rosa) – 3,5-mm-Anschluss für ein Monomikrofon oder ein Monosignal (linker Kanal wird von einem Stereosignal benutzt).

Audio-Ausgang (grün) – 3,5-mm-Audio-Ausgang (Leistungsstufe) zum Anschließen einer Rundrufanlage (PA) oder eines Aktivlautsprechers mit integriertem Verstärker. Für den Audio-Ausgang muss ein Stereo-Stecker benutzt werden.

E/A-Anschluss – Zur Verwendung mit externen Geräten in Verbindung mit Manipulationsalarmen, Bewegungserkennung, Ereignisauslösung, Zeitrafferaufnahmen, Alarmbenachrichtigungen usw. Abgesehen vom 0 V DC-Bezugspunkt und Strom (Gleichstromausgang) verfügt die E/A-Klemmenleiste über eine Schnittstelle zu:

- **Digitalausgang** – zum Anschluss externer Geräte wie Relais und LEDs. Angeschlossene Geräte können über die VAPIX® Application Programming Interface (Programmierschnittstelle) über die Schaltflächen für den Ausgang auf der Seite „Live View“ oder durch eine Aktionsregel aktiviert werden. Der Ausgang wird als aktiviert (siehe **System Options > Ports & Devices > Port Status (Systemoptionen > Ports & Geräte > Port Status)**) angezeigt, wenn das Alarmmeldegerät eingeschaltet ist.

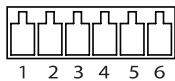
AXIS P55 Network Camera Series

- **Digitaleingang – Alarmeingang** für den Anschluss von Geräten, die zwischen geöffnetem und geschlossenem Schaltkreis wechseln können, z. B.: PIR-Kameras, Tür-/Fensterkontakte, Glasbruchmelder usw. Bei Empfang eines Signals ändert sich der Status und der Eingang wird aktiviert (siehe **System Options > Ports & Devices > Port Status (Systemoptionen > Ports & Geräte > Port Status)**).

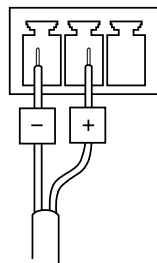
Funktion	Kontakt	Hinweise	Technische Daten
0 V DC (-)	1		
Gleichstromausgang	2	Kann für die Stromversorgung von Zusatzgeräten verwendet werden. Hinweis: Dieser Kontakt kann nur für den Stromausgang verwendet werden.	3,3 V DC Max. Stromstärke = 250 mA
Konfigurierbar (Ein- oder Ausgang)	3–6	Digitaleingang – zum Aktivieren mit Pin 1 verbinden; zum Deaktivieren nicht anschließen.	0 bis max. 40 V DC
		Digitalausgang – bei Aktivierung mit Pin 1 verbunden; wenn deaktiviert: frei (nicht verbunden). Bei Verwendung mit einer induktiven Last, z. B. einem Relais, muss parallel zur Last zum Schutz vor Spannungsspitzen eine Diode zwischengeschaltet werden.	0 bis max. 40 V DC Open Drain, 100 mA

Ein Beispielschaltbild finden Sie unter *Anschlusschaltbilder auf Seite 53*.

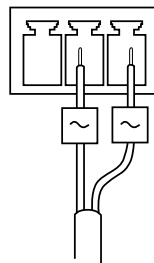
E/A-Anschluss



Gleichstromeingang

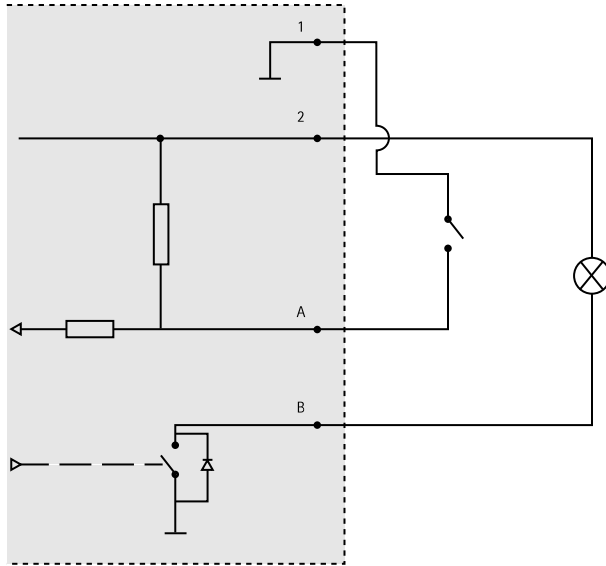


Wechselstromeingang



Anschlusschaltbilder

E/A-Anschluss



- 1 0 V (-) DC
- 2 DC-Ausgang 3,3 V, max. 250 mA
- A E/A als Eingang konfiguriert
- B E/A als Ausgang konfiguriert

Technische Daten

Betriebsbedingungen

Klassifikation	Temperatur	Luftfeuchtigkeit
IEC 60721-4-3 Klasse 3K3, 3M3 + B38 IEC 60068-2	0 °C bis 50 °C	Relative Luftfeuchtigkeit 15 bis 85 % (nicht kondensierend)

Stromverbrauch

HINWEIS

Verwenden Sie eine Stromquelle mit begrenzter Leistung (LPS), entweder mit einer Nennausgangsleistung von ≤ 100 W oder einem dauerhaft auf ≤ 5 A begrenzten Nennausgangsstrom.

PoE	Wechselstrom	Gleichstrom
Power over Ethernet (PoE) IEEE 802.3af/802.3at Typ 1 Klasse 3 max. 12,95 W	20 bis 28 V DC, max. 22 VA	20 bis 24 V AC, max. 13,5 W

Installieren der Hardware

HINWEIS

Befestigen Sie das Produkt mit der Kuppel nach unten.

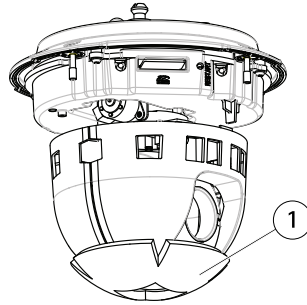
Lesen Sie zunächst alle Anweisungen, bevor Sie mit der Installationsvorbereitung der Netzwerk-Kamera beginnen. Bei einigen Vorbereitungsschritten muss die obere Abdeckung abgenommen werden, sodass es sinnvoll ist, diese Schritte zusammen durchzuführen.

- Entfernen Sie vor der Installation der Kamera die Transportsicherung.
- Das Produkt wird mit einer transparenten Klarglas-Kuppelabdeckung (vormontiert) und einer Rauchglas-Kuppelabdeckung geliefert. Weitere Informationen zum Austausch der Kuppelabdeckung finden Sie unter *Seite 55*.
- Eine Standard- oder SD-Karte mit hoher Kapazität (nicht enthalten) kann verwendet werden, um Aufnahmen direkt auf dem Produkt zu speichern. Siehe *Seite 56*.
- Weitere Informationen zur Installation des Produkts mit einer kompatiblen Halterung des AXIS T91A Montagezubehörs (separat erhältlich) finden Sie unter *Seite 59*.

Entfernen Sie die Transportsicherung.

Die Position der Komponenten finden Sie unter *Übersicht über die Hardware auf Seite 47*.

1. Lösen Sie die vier Schrauben der oberen Abdeckung und nehmen Sie die Abdeckung ab.
2. Entfernen Sie die Transportsicherung.



1 Transportsicherung

3. Weitere Informationen zum Austauschen der klaren/getönten Kuppelabdeckung finden Sie unter *Seite 55*. Weitere Informationen zur Installation einer SD-Speicherkarte finden Sie unter *Seite 56*.
4. Bringen Sie die obere Abdeckung wieder an der ursprünglichen Position an und ziehen Sie zuerst die diagonal gegenüberliegenden Schrauben (Anzugsmoment $< 0,7$ Nm) und dann die anderen beiden Schrauben fest.

Austauschen der Kuppelabdeckung

Beachten

Achten Sie darauf, die Kuppelabdeckung nicht zu zerkratzen oder zu beschädigen. Falls möglich, entfernen Sie die Schutzfolie erst nach Abschluss der Installation.

Der Austausch der Kuppelabdeckung ist nur erforderlich, wenn Sie die getönte Kuppelabdeckung verwenden möchten, die Kuppelabdeckung zerkratzt ist oder Risse hat. Ersatz-Kuppelabdeckungen erhalten Sie von Ihrem Axis Händler.

Die Position der Komponenten finden Sie unter *Übersicht über die Hardware auf Seite 47*.

1. Lösen Sie die Schrauben der oberen Abdeckung und nehmen Sie die Abdeckung ab.
2. Lösen Sie die 8 Schrauben des Kuppelrings und entfernen Sie den Kuppelring von der oberen Abdeckung.
3. Bringen Sie den Kuppelring und die Ersatz-Kuppelabdeckung an der oberen Abdeckung an und befestigen Sie diese, indem Sie die Schrauben anziehen (Drehmoment 0,4 bis 0,6 Nm).
4. Weitere Informationen zur Installation einer SD-Karte (nicht im Lieferumfang enthalten) finden Sie unter *Seite 56*.
5. Bringen Sie die obere Abdeckung wieder an der ursprünglichen Position an und ziehen Sie zuerst die beiden diagonal gegenüberliegenden Schrauben (Drehmoment $< 0,7$ Nm) und dann die anderen Schrauben fest.

Installation einer SD-Karte

HINWEIS

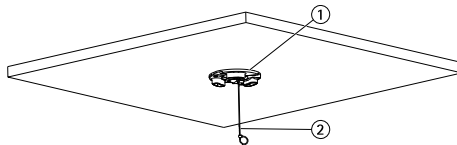
Um einer Beschädigung der Aufnahmen vorzubeugen, sollte die SD-Karte getrennt werden, bevor diese ausgeworfen wird. Rufen Sie zum Trennen **Setup > System Options > Storage > SD Card (Einrichtung > Systemoptionen > Speicher > SD-Karte)** auf und klicken Sie auf **Unmount (Trennen)**.

Sie können für Aufzeichnungen auf Wechselspeichermedien optional eine Standard- oder eine SD-Speicherkarte mit hoher Kapazität (nicht enthalten) installieren.

Die Position der Komponenten finden Sie unter *Übersicht über die Hardware auf Seite 47*.

1. Lösen Sie die 4 Schrauben der oberen Abdeckung und nehmen Sie die Abdeckung ab.
2. Schieben Sie die SD-Karte (nicht enthalten) in den SD-Karteneinschub.
3. Bringen Sie die obere Abdeckung wieder an der ursprünglichen Position an und ziehen Sie zuerst die diagonal gegenüberliegenden Schrauben (Anzugsmoment < 0,7 Nm) und dann die anderen Schrauben fest.

Halterung für Massivdecken



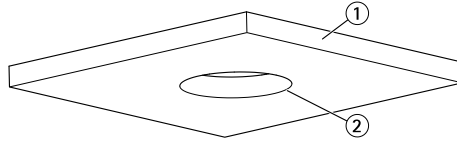
1. *Montageplatte*
2. *Sicherungsdraht*

Installieren der Montageplatte:

1. Markieren Sie die Position der Bohrlöcher mithilfe der mitgelieferten Bohrschablone. Die verwendete Bohrerspitzen, Schrauben und Dübel müssen für das Deckelmaterial geeignet sein.
2. Installieren Sie die Montageplatte.
3. Lösen Sie die 4 Basisdeckelschrauben der Kamera und entfernen Sie den Basisdeckel. Siehe Hardwareübersicht auf *Seite 49*. Achten Sie beim Verbinden der Kabel darauf, diese nicht zu beschädigen.
4. Verlegen Sie das Netzkabel und das Mehrfachanschlusskabel (optional) an den Kabelbahnen und durch die Öffnungen in der Gummidichtung und schließen Sie diese an.
5. Befestigen Sie den Basisdeckel der Kamera wieder an seinem Platz und ziehen Sie die Schrauben an.
6. Sichern Sie die Kamera mit dem mitgelieferten Sicherheitsdraht.

7. Schieben Sie die Steuerungshalter der Netzwerkkamera in die Öffnungen der Montageplatte und rotieren Sie die Kameraeinheit.

Halterung für abgehängte Decken

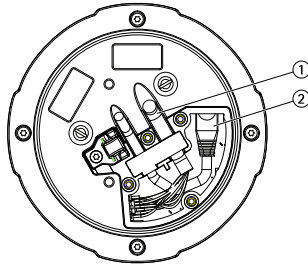


1. Deckenplatte
2. Lochdurchmesser 190 mm

Beachten

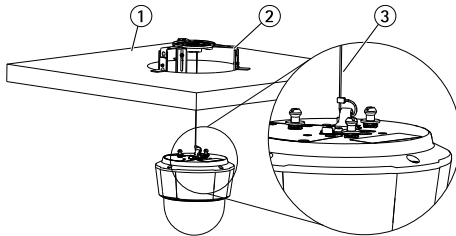
- Das Gesamtgewicht von Kamera und Deckenhalterung beträgt etwa 2,3 kg. Vergewissern Sie sich, dass das Deckenmaterial stabil genug ist, um dieses Gewicht zu tragen.
 - Die Deckenplatte sollte 5 bis 60 mm dick sein.
1. Entfernen Sie die Deckenplatte, in die die Halterung für abgehängte Decken eingelassen werden soll.
 2. Markieren Sie mithilfe der mitgelieferten Schablone die Position der 189,5-mm-Öffnung in der Deckenplatte. Schneiden Sie die Öffnung entlang der Schablone aus.
 3. Montieren Sie Deckenhalterung.
 4. Bringen Sie die Deckenhalterung an der Deckenplatte an. Siehe Abbildung weiter unten.
 5. Ziehen Sie die Schrauben des Halterungsarms mit einem Torx-Schraubendreher T20 fest.
 6. Lösen Sie die 4 Basisdeckelschrauben der Kamera und entfernen Sie den Basisdeckel. (siehe Hardwareübersicht auf Seite 49).
 7. Entfernen Sie die Gummidichtung und verlegen Sie das Netzkabel und das Mehrfachanschlusskabel (bei Bedarf). Achten Sie darauf, die Kabel beim Anschließen an die Netzwerk-Kamera nicht zu beschädigen.

AXIS P55 Network Camera Series



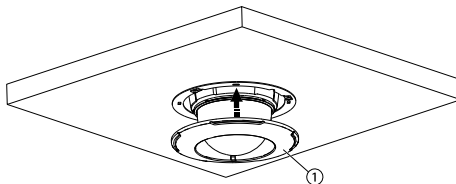
1. Mehrfachanschlusskabel
2. Netzkabel

8. Befestigen Sie den Basisdeckel der Kamera wieder an seinem Platz und ziehen Sie die Schrauben an.
9. Sichern Sie die Kamera mit dem mitgelieferten Sicherheitsdraht.



1. Deckenplatte
2. Deckenhalterung
3. Sicherheitsdraht

10. Schieben Sie die Steuerungshalter der Netzwerkkamera in die Öffnungen der Montageplatte und rotieren Sie die Kameraeinheit.
11. Befestigen Sie die Deckenplatte mit der montierten Kamera in der Decke.
12. Platzieren Sie den Klemmflansch über der Deckenhalterung und rasten Sie ihn ein.

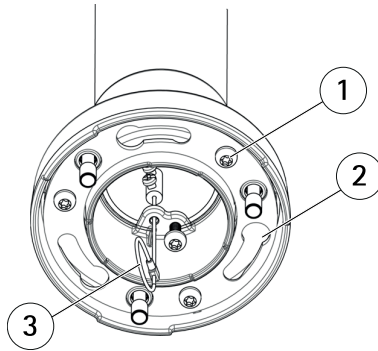


1. Klemmflansch

Anbringen der Kamera an einer Halterung (separat erhältlich)

⚠WARNUNG

- Stromschlaggefahr. Das Produkt sollte mit einem Erdungskabel geerdet werden. Sorgen Sie dafür, dass beide Enden des Erdungskabels Kontakt mit den entsprechenden Erdungsflächen haben.
1. Installieren Sie die Halterung (nicht enthalten) entsprechend der Halterungsanleitung. Falls das Bohren von Löchern erforderlich ist, stellen Sie sicher, dass die Bohrer, Schrauben und Dübel für den Baustoff der Wand/Decke geeignet sind. Unter www.axis.com finden Sie Informationen über verfügbares Montagezubehör.
 2. Sichern Sie die Kamera mit dem mitgelieferten Sicherheitsdraht.
 3. Lösen Sie die Schrauben der Kamera-Grundplatte und entfernen Sie die Grundplatte.



- 1 Schraube
- 2 Aussparungen für Kamerabefestigungen
- 3 Sicherheitsdraht

Beachten

- Achten Sie beim Verbinden der Kabel darauf, diese nicht zu beschädigen.
 - Vergewissern Sie sich, dass die Schaumstoffdichtungslöcher an den Kabelbahnen ausgerichtet sind. Entfernen Sie bei Bedarf die Ausschnitte für das Multi-Verbindungskabel aus der Schaumstoffdichtung.
4. Schließen Sie das Netzkabel und das Mehrfachanschlusskabel (separat erhältlich) an die Kamera an.
 5. Drehen Sie die Kabelhalter, um die Kabel am Platz zu halten.
 6. Befestigen Sie den Basisdeckel der Kamera wieder an seinen Platz und ziehen die Schrauben an (Drehmoment 1,5 Nm).

7. Schieben Sie die Gerätehalterung der Netzwerkkamera in die Öffnungen der Montagehalterung und drehen Sie die Kameraeinheit.
8. Befestigen Sie die Netzwerkkamera an der Wandhalterung, indem Sie die Schrauben festziehen.

Zugriff auf das Produkt

Für die Suche nach Axis Produkten im Netzwerk und zur Zuweisung einer IP-Adresse unter Windows® werden AXIS IP Utility und AXIS Camera Management empfohlen. Beide Anwendungen sind kostenlos und können von unserer Website unter www.axis.com/techsup heruntergeladen werden.

Das Produkt ist mit den meisten Standard-Betriebssystemen und Browsern kompatibel. Empfohlen werden die Browser

- Internet Explorer® unter Windows®
- Safari® unter OS X®
- Chrome™ oder Firefox® unter anderen Betriebssystemen

Weitere Informationen zur Nutzung dieses Produkts finden Sie im Benutzerhandbuch unter www.axis.com.

Zurücksetzen auf Werkseinstellungen

Wichtig

Das Zurücksetzen auf die Werkseinstellungen sollte mit Vorsicht verwendet werden. Beim Zurücksetzen auf die Werkseinstellungen werden alle Einstellungen einschließlich der IP-Adresse auf die Werkseinstellungen zurückgesetzt.

Beachten

Die Software-Tools für Installation und Verwaltung sind über die Supportseiten unter www.axis.com/techsup verfügbar.

So wird das Produkt auf die Werkseinstellungen zurückgesetzt:

1. Halten Sie die Steuertaste und die Neustarttaste gleichzeitig gedrückt.
2. Lassen Sie die Neustarttaste los, halten Sie die Steuertaste jedoch für weitere 15 bis 30 Sekunden gedrückt, bis die LED-Statusanzeige gelb blinkt.
3. Lassen Sie die Steuertaste los. Der Vorgang ist abgeschlossen, wenn die LED-Statusanzeige grün leuchtet. Das Produkt wurde auf die Werkseinstellungen zurückgesetzt. Wenn kein DHCP-Server im Netzwerk verfügbar ist, lautet die Standard-IP-Adresse 192.168.0.90.
4. Verwenden Sie die Software-Tools für Installation und Verwaltung, um eine IP-Adresse zuzuweisen, ein Kennwort einzurichten und auf den Videostream zuzugreifen.

Die Parameter können auch über die Weboberfläche auf die Werkseinstellungen zurückgesetzt werden. Rufen Sie **Setup > System Options > Maintenance (Setup > Systemoptionen > Wartung)** auf.

Weitere Informationen

Das Benutzerhandbuch finden Sie unter www.axis.com.

Unter www.axis.com/techsup finden Sie Firmware-Aktualisierungen für Ihre Netzwerkprodukte. Um die aktuell installierte Firmware-Version zu sehen, gehen Sie auf **Einrichten > Über**.

Besuchen Sie das Axis-Schulungszentrum www.axis.com/academy für anregende Schulungen, Webinare, Lernprogramme und Anleitungen.

Gewährleistungsinformationen

Informationen zur Gewährleistung der Axis Produkte und andere, hierzu relevante Informationen, finden Sie unter www.axis.com/warranty/

Informazioni di sicurezza

Leggere con attenzione questa guida all'installazione prima di installare il dispositivo. Conservare questo documento per usi futuri.

Livelli di pericolo

▲PERICOLO

Indica una situazione pericolosa che, se non evitata, provoca morte o lesioni gravi.

▲AVVERTENZA

Indica una situazione pericolosa che, se non evitata, può provocare la morte o lesioni gravi.

▲ATTENZIONE

Indica una situazione pericolosa che, se non evitata, può provocare lesioni medie o minori.

AWISO

Indica una situazione che, se non evitata, può danneggiare la proprietà.

Altri livelli di messaggio

Importante

Indica informazioni importanti, essenziali per il corretto funzionamento del dispositivo.

Nota

Indica informazioni utili che aiutano a ottenere il massimo dal dispositivo.

Istruzioni di sicurezza

AVVISO

- Il dispositivo Axis deve essere utilizzato in conformità alle leggi e alle disposizioni locali.
- Per utilizzare il dispositivo Axis in ambienti esterni, o in ambienti simili, deve essere installato in una custodia per esterni approvata.
- Conservare il dispositivo Axis in un ambiente asciutto e ventilato.
- Evitare di esporre il dispositivo Axis a urti o pressioni eccessive.
- Non installare il dispositivo su supporti, superfici o pareti instabili.
- Non puntare l'obiettivo della telecamera verso il sole o altre sorgenti di radiazioni ad alta intensità, perché questo potrebbe causare danni alla telecamera.
- Utilizzare solo strumenti applicabili quando si installa il dispositivo Axis. Se si utilizza una forza eccessiva con gli strumenti dell'alimentazione è possibile causare danni al dispositivo.
- Non utilizzare sostanze chimiche, agenti caustici o detergenti aerosol.
- Utilizzare un panno pulito inumidito in acqua pura per la pulizia.
- Utilizzare solo accessori compatibili con le specifiche tecniche del dispositivo. Questi possono essere forniti da Axis o da terze parti.
- Utilizzare solo parti di ricambio fornite o consigliate da Axis.
- Non tentare di riparare il dispositivo da soli. Contattare l'assistenza o il rivenditore Axis per questioni relative alla manutenzione.
- Non puntare l'obiettivo della telecamera verso il sole o altre sorgenti di radiazioni ad alta intensità, perché questo potrebbe causare danni alla telecamera.

Trasporto

AVVISO

- Conservare l'imballaggio di protezione. Durante il trasporto del dispositivo Axis, l'imballaggio di protezione deve essere ricollocato nella sua posizione originale.
- Durante il trasporto del dispositivo Axis, utilizzare l'imballaggio originale o equivalente per evitare danni al dispositivo.

Batteria

Il dispositivo Axis utilizza una batteria al litio da 3,0 V BR/CR2032 come alimentazione per il suo real-time clock (RTC) interno. In condizioni normali questa batteria avrà una durata minima di cinque anni.

Una bassa carica della batteria influisce sul funzionamento del RTC, facendolo resettare a ogni accensione. Quando la batteria deve essere sostituita, un messaggio di registro viene visualizzato

nel report server del dispositivo. Per ulteriori informazioni sul report server, vedere le pagine di configurazione del dispositivo o contattare l'assistenza Axis.

La batteria non deve essere sostituita se non richiesto, ma nel caso in cui questo fosse necessario, contattare il supporto Axis all'indirizzo www.axis.com/techsup per assistenza.

▲AVVERTENZA

- Rischio di esplosione se la batteria viene sostituita in modo errato.
- Sostituire solo con una batteria identica o una batteria consigliata da Axis.
- Smaltire le batterie usate in base alle normative locali o alle istruzioni del produttore della batteria.

Cupola di protezione

AWISO

- Fare attenzione a non graffiare, danneggiare o lasciare impronte sulla cupola di protezione, perché potrebbe diminuire la qualità dell'immagine. Se possibile, tenere la protezione in plastica sulla cupola fino a quando l'installazione non sarà completata.
- Non pulire la cupola di protezione se non necessario. Una pulizia eccessiva potrebbe danneggiare la superficie.
- Per la pulizia generale della cupola di protezione, si consiglia di utilizzare un sapone neutro o detergente non abrasivo con acqua pura e un panno morbido e pulito. Sciacquare bene con acqua pura tiepida. Asciugare con un panno morbido e pulito per evitare macchie d'acqua.
- Non usare mai detersivi aggressivi, benzina, benzene o acetone ecc ed evitare di pulire la cupola di protezione alla luce diretta del sole o a temperature elevate.

Guida all'installazione

La presente guida all'installazione fornisce le istruzioni necessarie per installare la telecamera di rete a cupola AXIS P5514/P5515 PTZ nella rete in uso. Per ulteriori informazioni sull'utilizzo del dispositivo, consultare la guida per l'utente disponibile all'indirizzo www.axis.com

Procedura di installazione

1. Assicurarsi che il contenuto della confezione, gli strumenti e altri materiali necessari per l'installazione siano in ordine. Consultare *pagina 67*.
2. Studiare la descrizione dell'hardware. Consultare *pagina 67*.
3. Studiare le specifiche. Consultare *pagina 73*.
4. Installare l'hardware. Consultare *pagina 74*.
5. Accedere al dispositivo. Consultare *pagina 79*.

Contenuto della confezione

- Telecamera di rete a cupola AXIS P5514/P5515 PTZ
- Kit di montaggio per soffitti e controsoffitti
- Custodia con cupola trasparente chiara (premontata)
- Copertura a cupola oscurata
- Materiali stampati
 - Guida all'installazione (questo documento)
 - Etichetta aggiuntiva con numero di serie (2x)
 - Chiave di autenticazione AVHS

Accessori opzionali

- Accessori per il montaggio AXIS T91A
- Kit per montaggio incassato AXIS T94A03L

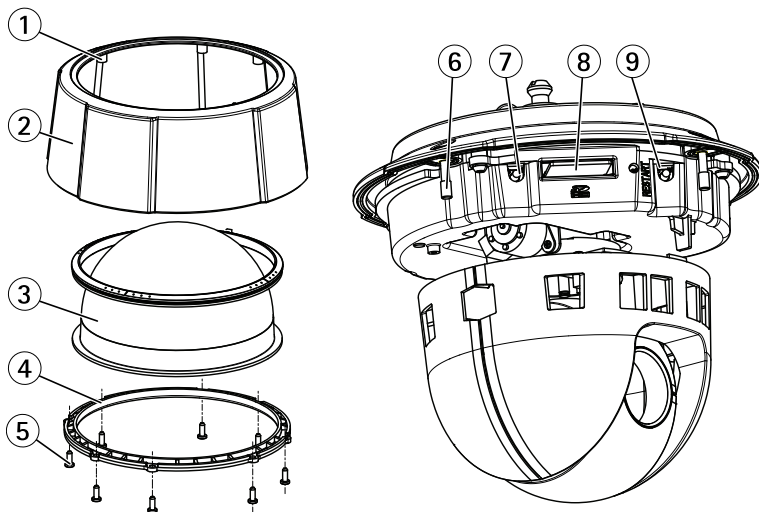
Per informazioni sugli accessori disponibili, visitare il sito Web www.axis.com

Panoramica dell'hardware

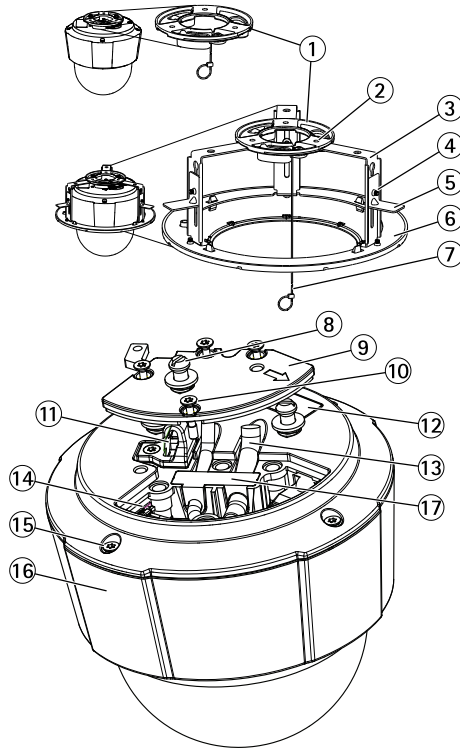
AWISO

Assicurarsi che la cupola venga collegata in modalità operativa in modo da non alterare la messa a fuoco.

AXIS P55 Network Camera Series



- 1 *Guarnizione ad anello*
- 2 *Coperchio superiore*
- 3 *Cupola*
- 4 *Anello cupola*
- 5 *Viti anello cupola (8x)*
- 6 *Indicatore LED di stato*
- 7 *Pulsante di comando*
- 8 *Slot per scheda SD*
- 9 *Pulsante di riavvio*



- 1 Piastra di montaggio
- 2 Viti piastra di montaggio (3x)
- 3 Braccio staffa (3x)
- 4 Vite braccio staffa (3x) e rondella (3x)
- 5 Staffa di montaggio
- 6 Anello di finitura
- 7 Cavo di sicurezza
- 8 Supporti unità (3x)
- 9 Coperchio della base della telecamera
- 10 Viti del coperchio della base della telecamera (4x)
- 11 Gancio per cavo di sicurezza
- 12 Codice dispositivo (P/N) e numero di serie (S/N). Il numero di serie può essere richiesto durante l'installazione.
- 13 Passaggi dei cavi
- 14 Multiconnettore (solo per versione per ambienti interni)
- 15 Viti della copertura superiore (4x)
- 16 Coperchio superiore
- 17 Guarnizione in gomma

Indicatori LED

LED di stato	Indicazione
Spento	Connessione e funzionamento normale.
Verde	Una luce verde fissa per 10 secondi indica il normale funzionamento una volta completato l'avvio.
Giallo	Luce fissa durante l'avvio. Lampeggia durante l'aggiornamento del firmware.
Giallo/rosso	Lampeggia in giallo/rosso se il Collegamento di rete non è disponibile o è stato perso.

Connettori e pulsanti

Per le specifiche e le condizioni di funzionamento, consultare *pagina 73*.

Connettore di rete

Connettore Ethernet RJ45 con Power over Ethernet (PoE+).

AWISO

Collegare il dispositivo con un cavo di rete schermato (STP). Tutti i cavi che collegano il dispositivo alla rete sono destinati al loro uso specifico. Accertarsi che i dispositivi di rete siano installati secondo le istruzioni del produttore. Per maggiori informazioni sui requisiti normativi, consultare *Electromagnetic Compatibility (EMC) on page 2*.

Pulsante di comando

Per l'ubicazione del pulsante di comando, vedere *Panoramica dell'hardware alla pagina 67*.

Il pulsante di comando viene utilizzato per:

- Ripristino del dispositivo alle impostazioni predefinite di fabbrica. Consultare *pagina 80*.
- Collegamento a un servizio AXIS Video Hosting System o AXIS Internet Dynamic DNS Service. Per ulteriori informazioni su questi servizi, consultare il Manuale Utente.

Pulsante di riavvio

Premere il pulsante di riavvio per riavviare il dispositivo.

Slot per scheda SD

AWISO

- Rischio di danni alla scheda SD. Non utilizzare strumenti appuntiti e non esercitare eccessiva forza durante l'inserimento o la rimozione della scheda SD.
- Rischio di perdita di dati. Per prevenire il danneggiamento dei dati, la scheda SD deve essere scollegata prima della rimozione. Per scollegare, andare a **Setup > System Options > Storage > SD Card (Configurazione > Opzioni di sistema > Archiviazione > Scheda SD)** e fare clic su **Unmount (Smonta)**.

Questo dispositivo supporta schede di memoria SD/SDHC/SDXC (scheda di memoria non inclusa).

Per i consigli sulla scheda SD, visitare il sito Web www.axis.com.

Cavo multiconnettore (venduto separatamente)

Quando si collega un apparecchio esterno al prodotto Axis, è necessario un cavo multiconnettore (disponibile da Axis) per mantenere la classificazione IP del prodotto. È possibile acquistare il cavo multiconnettore presso il proprio rivenditore Axis.

Collegare il cavo multiconnettore al multiconnettore del prodotto. Per individuare il multiconnettore, consultare *Panoramica dell'hardware alla pagina 67*. Il cavo fornisce i connettori seguenti:

Morsettiera di alimentazione – Morsettiera a 3 pin usata per l'ingresso dell'alimentazione. Vedere illustrazione seguente. Utilizzare una sorgente di alimentazione limitata (LPS) compatibile con una bassissima tensione di sicurezza (SELV) con una potenza di uscita nominale limitata a ≤ 100 W o una corrente nominale di uscita limitata a ≤ 5 A.

Ingresso audio (rosa) – 3,5 mm per microfono in mono o segnale mono line-in (il canale sinistro è usato da un segnale in stereo).

Uscita audio (verde) – Uscita audio da 3,5 mm (livello di linea) che può essere connessa a un sistema di indirizzo pubblico (PA), oppure a un altoparlante con amplificatore integrato. Per l'uscita audio è necessario usare un connettore stereo.

Connettore del morsetto I/O – Utilizzare con dispositivi esterni in combinazione con, ad esempio, allarmi antimanomissione, rilevazione del movimento, attivazione di eventi, registrazione temporizzata e notifiche di allarme. Oltre al punto di riferimento 0 V CC e all'alimentazione (uscita CC), il connettore I/O fornisce l'interfaccia per:

- Uscita digitale – Per collegare dispositivi esterni come relè o LED. Le periferiche collegate possono essere attivate tramite VAPIX® API (interfaccia per la programmazione di applicazioni), tramite i pulsanti di comando della pagina Live View (Immagini dal vivo) oppure tramite l'opzione Action Rule (regola di azione). L'uscita verrà visualizzata come attiva (visualizzata in **System Options > Port & Devices > Port Status (Opzioni di Sistema > Porta Et Dispositivi > Stato porta)**) se il dispositivo di allarme è attivato.

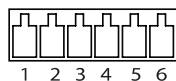
AXIS P55 Network Camera Series

- Ingresso digitale – Ingresso allarme utilizzabile per collegare le periferiche, che può passare dal circuito chiuso al circuito aperto, ad esempio: Sensori di movimento (PIR), contatti porta/finestra, rilevatori di rottura vetri e così via. Dopo la ricezione del segnale lo stato cambia e l'ingresso diventa attivo (visualizzato in **System Options > Port & Devices > Port Status (Opzioni di Sistema > Porte e Dispositivi > Stato porta)**).

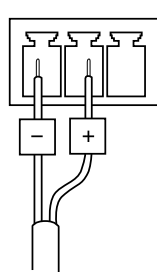
Funzione	Pin	Note	Specifiche
0 V CC (-)	1		
Uscita CC	2	Il pin può essere utilizzato anche per alimentare una periferica ausiliaria. Nota: questo pin può essere usato solo come uscita alimentazione.	3,3 V CC Carico massimo = 250 mA
Configurabile (ingresso o uscita)	3-6	Ingresso digitale - collegare al pin 1 per attivarlo oppure lasciarlo isolato (scollegato) per disattivarlo.	da 0 a max 40 V CC
		Uscita digitale – Collegare al pin 1 quando attiva, isolata (scollegata) quando inattiva. Se utilizzata con un carico induttivo, ad esempio un relè esterno, è necessario collegare un diodo in parallelo al carico per proteggere il dispositivo da sovratensioni.	Da 0 a max 40 V CC, open-drain, 100 mA

Per un esempio di schema, consultare *Schema delle connessioni alla pagina 73*.

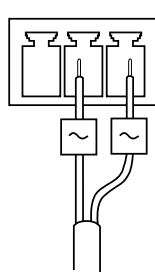
Connettore I/O



Ingresso alimentazione CC

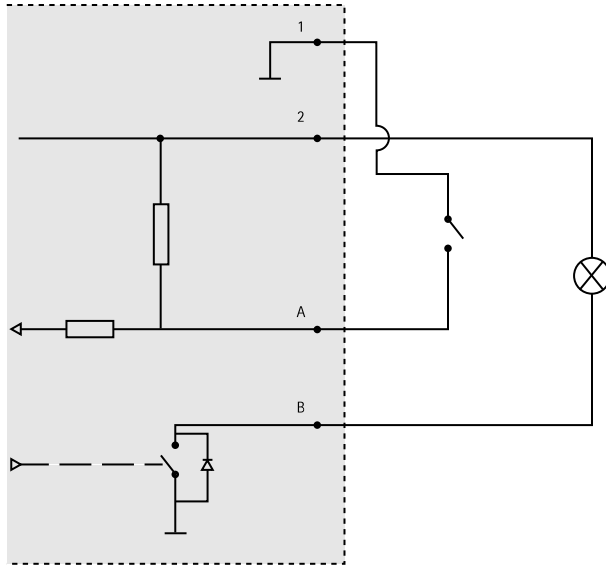


Ingresso alimentazione CA



Schema delle connessioni

Connettore I/O



- 1 0 V CC (-)
- 2 Uscita CC 3,3 V, max 250 mA
- A I/O configurato come ingresso
- B I/O configurato come uscita

Dati tecnici

Condizioni di funzionamento

Classificazione	Temperatura	Umidità
IEC 60721-4-3 Classe 3K3, 3M3 + B38 IEC 60068-2	Da 0 °C a 50 °C	Umidità relativa compresa tra il 15 e l'85% (senza condensa)

Consumo energetico

AWISO

Utilizzare una sorgente di alimentazione limitata (LPS) con una potenza di uscita nominale limitata a ≤ 100 W o una corrente nominale di uscita limitata a ≤ 5 A.

PoE	CA	CC
Power over Ethernet (PoE) IEEE 802.3af/802.3at Tipo 1 Classe 3 max. 12,95 W	20-28 V CC, max. 22 VA	20-24 V CC, max 13,5 W

Installazione dell'hardware

AWISO

Montare il dispositivo con la cupola rivolta verso il basso.

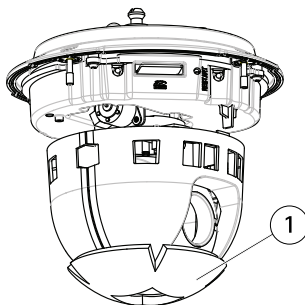
Leggere tutte le istruzioni prima di prepararsi ad installare la telecamera di rete, poiché numerose fasi di preparazione dell'installazione richiedono la rimozione della copertura superiore ed è opportuno che vengano completate insieme.

- Rimuovere l'imballo protettivo prima di installare la telecamera.
- Il dispositivo viene fornito con una cupola trasparente (premontata) e una trasparente fumé. Per sostituire la cupola, consultare *pagina 75*.
- Una scheda SD standard o ad alta capacità (non inclusa) può essere utilizzata per memorizzare le registrazioni localmente nel dispositivo. Consultare *pagina 76*.
- Per installare il prodotto utilizzando una staffa compatibile da accessori di montaggio di AXIS T91A (venduto separatamente), consultare *pagina 78*.

Rimozione dell'imballo protettivo

Consultare *Panoramica dell'hardware alla pagina 67* per la posizione dei componenti.

1. Allentare le quattro viti della copertura superiore e rimuoverla.
2. Rimuovere l'imballo protettivo.



1 Imballo protettivo

3. Per sostituire la copertura a cupola trasparente/oscurata, consultare *pagina 75*. Per installare una scheda SD, consultare *pagina 76*.
4. Rimontare la copertura posteriore nella posizione originale e serrare prima due viti diagonalmente opposte (a una coppia < 0,7 Nm), quindi le altre due viti.

Sostituzione della protezione a cupola

Nota

Fare attenzione a non graffiare o danneggiare la copertura a cupola. Se possibile, tenere la protezione in plastica sulla cupola fino a quando l'installazione non sarà completata.

La sostituzione della cupola è necessaria solo se si desidera utilizzare quella scura o se la cupola è graffiata o danneggiata. È possibile acquistare cupole di ricambio presso il proprio rivenditore Axis.

Consultare *Panoramica dell'hardware alla pagina 67* per la posizione dei componenti.

1. Allentare le viti della copertura superiore e rimuoverla.
2. Rimuovere le 8 viti dell'anello della copertura e rimuovere l'anello dalla copertura superiore.
3. Fissare l'anello della cupola e la copertura a cupola sostitutiva sulla copertura superiore serrando le viti (a una coppia da 0,4 a 0,6 Nm).
4. Per installare una scheda SD (non inclusa), consultare *pagina 76*.
5. Rimontare la copertura posteriore nella posizione originale e serrare due viti diagonalmente opposte (a una coppia < 0,7 Nm), quindi le altre viti.

Installazione di una scheda SD

AVVISO

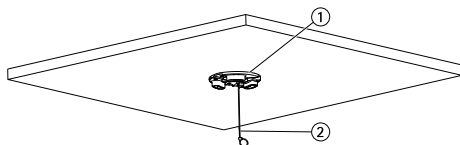
Per prevenire il danneggiamento delle registrazioni, la scheda SD deve essere scollegata prima dell'espulsione. Per scollegare, andare a **Setup > System Options > Storage > SD Card (Configurazione > Opzioni di sistema > Archiviazione > Scheda SD)** e fare clic su **Unmount (Smonta)**.

È facoltativo installare una scheda di memoria SD standard o ad alta capacità (non inclusa), che può essere usata per la registrazione in modalità locale con unità di archiviazione rimovibile.

Consultare *Panoramica dell'hardware alla pagina 67* per la posizione dei componenti.

1. Allentare le 4 viti della copertura superiore e rimuoverla.
2. Inserire una scheda SD (non inclusa) nello slot per schede SD.
3. Rimontare la copertura posteriore nella posizione originale e serrare prima due viti diagonalmente opposte (a una coppia < 0,7 Nm), quindi le altre viti.

Montaggio a soffitto

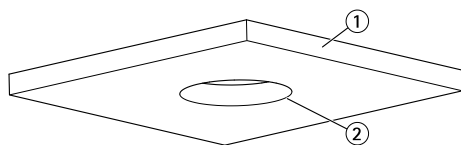


1. *Piastra di montaggio*
2. *Cavo di sicurezza*

Per installare la piastra di montaggio:

1. Usare la maschera di foratura fornita per posizionare i fori. Utilizzare punte, viti e tasselli adatti al materiale del soffitto.
2. Installare la piastra di montaggio.
3. Allentare le 4 viti della base del coperchio della telecamera e rimuoverlo. Vedere *Panoramica dell'hardware in pagina 69*. Fare attenzione a non danneggiare i cavi quando li si collega.
4. Posizionare e collegare il cavo di rete e il cavo multiconnettore (facoltativo) lungo le tracce dei cavi e attraverso i fori della guarnizione in gomma.
5. Rimontare il coperchio della base della telecamera nella posizione originale e serrare le viti.
6. Fissare la telecamera utilizzando il cavo di sicurezza in dotazione.
7. Far scorrere i supporti dell'unità sulla telecamera di rete nelle fessure della piastra di montaggio e ruotare la telecamera.

Montaggio a controsoffitto

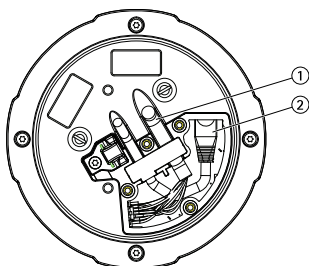


1. *Pannello del soffitto*
2. *Diametro del foro 190 mm*

Nota

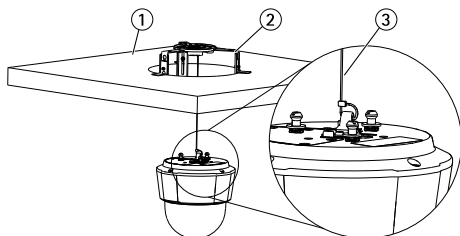
- Il peso totale della telecamera e degli accessori per il montaggio a soffitto è di circa 2,3 kg. Controllare che il materiale del soffitto sia sufficientemente robusto per sostenere tale peso.
- Il pannello del soffitto dovrebbe essere spesso da 5 a 60 mm.

1. Rimuovere il pannello del soffitto in cui deve essere montato il controsoffitto.
2. Utilizzare la maschera fornita per contrassegnare la posizione del foro da 189,5 mm nel pannello del soffitto. Tagliare lungo la maschera.
3. Montare la staffa per il montaggio a soffitto.
4. Posizionare la staffa per il soffitto nel pannello. Vedere l'illustrazione più avanti.
5. Serrare le viti del braccio della staffa usando un cacciavite torx 20.
6. Allentare le 4 viti della base del coperchio della telecamera e rimuoverlo. Vedere Panoramica dell'hardware in *pagina 69*.
7. Rimuovere la guarnizione in gomma e collegare il cavo di rete e il cavo multiplo, se necessario. Fare attenzione a non danneggiare i cavi mentre vengono connessi alla telecamera di rete.



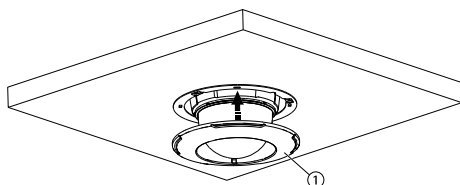
1. *Cavo multiconnettore*
2. *Cavo di rete*

8. Rimontare il coperchio della base della telecamera nella posizione originale e serrare le viti.
9. Fissare la telecamera utilizzando il cavo di sicurezza in dotazione.



1. *Pannello del soffitto*
2. *Staffa per il montaggio a soffitto*
3. *Cavo di sicurezza*

10. Far scorrere i supporti dell'unità sulla telecamera di rete nelle fessure della piastra di montaggio e ruotare la telecamera
11. Rimontare il pannello nel soffitto, con la telecamera montata.
12. Collocare l'anello perimetrale sulla staffa per soffitto e farlo scattare in posizione.



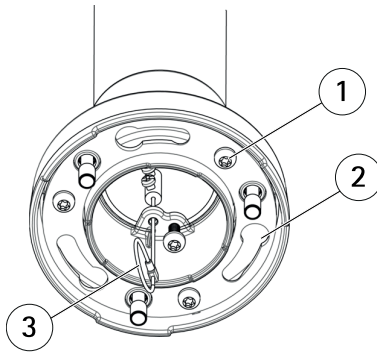
1. *Anello di finitura*

Installazione della telecamera con montaggio a staffa (venduto separatamente)

⚠AVVERTENZA

- Rischio di scosse elettriche. Il prodotto deve essere collegato a terra utilizzando un cavo di messa a terra. Assicurarsi che entrambe le estremità del cavo di messa a terra siano in contatto con le rispettive superfici di messa a terra.
1. Installare la staffa (non inclusa) in base alle istruzioni fornite. Se è necessario forare, assicurarsi di utilizzare punte, viti e tasselli adatti al materiale. Visitare il sito Web www.axis.com per informazioni sugli accessori di montaggio disponibili.
 2. Fissare la telecamera utilizzando il cavo di sicurezza in dotazione.

3. Allentare le viti della base del coperchio della telecamera e rimuoverlo.



- 1 Vite
- 2 Alloggiamenti per i supporti dell'unità
- 3 Cavo di sicurezza

Nota

- Fare attenzione a non danneggiare i cavi quando li si collega.
 - Assicurarsi che i fori della guarnizione in schiuma siano allineati con le tracce dei cavi e, se è il caso, rimuovere la prefabbricazione per il cavo multiconnettore dalla guarnizione in schiuma.
4. Collegare il cavo di rete e il cavo multiplo (venduto separatamente), se è il caso, alla telecamera.
 5. Ruotare i portacavi per mantenere i cavi in posizione.
 6. Posizionare il coperchio posteriore della telecamera nella sua posizione originaria e serrare le viti (serraggio 1,5 Nm).
 7. Far scorrere i supporti dell'unità sulla telecamera di rete nelle fessure della staffa di montaggio e ruotare la telecamera.
 8. Fissare la telecamera di rete alla staffa di montaggio serrando le viti.

Accedere al dispositivo

AXIS IP Utility e AXIS Camera Management sono i metodi consigliati per trovare i dispositivi Axis in rete e assegnare loro un indirizzo IP in Windows®. Queste applicazioni sono entrambe gratuite e possono essere scaricate da www.axis.com/techsup

Il dispositivo può essere utilizzato con la maggior parte dei sistemi operativi e dei browser. I browser consigliati sono

- Internet Explorer® con Windows®

AXIS P55 Network Camera Series

- Safari® con OS X®
- Chrome™ o Firefox® con altri sistemi operativi.

Per ulteriori informazioni sull'utilizzo del dispositivo, consultare la Guida per l'utente disponibile sul sito Web www.axis.com

Ripristino dei valori predefiniti di fabbrica

Importante

Il ripristino delle impostazioni di fabbrica deve essere usato con cautela. Un ripristino delle impostazioni di fabbrica consentirà di ripristinare le impostazioni di fabbrica per tutti i parametri, incluso l'indirizzo IP.

Nota

Gli strumenti per l'installazione e la gestione del software sono disponibili nelle pagine dedicate all'assistenza sul sito Web www.axis.com/techsup.

Per ripristinare il dispositivo alle impostazioni predefinite di fabbrica:

1. Tenere premuti contemporaneamente sia il pulsante di comando che il pulsante di riavvio.
2. Rilasciare il pulsante di riavvio, ma continuare a tenere premuto il pulsante di comando per 15-30 secondi fino a quando il LED di stato lampeggia in giallo.
3. Rilasciare il pulsante di comando. Il processo è completo quando il LED di stato diventerà verde. Il dispositivo è stato reimpostato alle impostazioni di fabbrica predefinite. Se nessun server DHCP è disponibile in rete, l'indirizzo IP predefinito è 192.168.0.90.
4. Mediante gli strumenti per l'installazione e la gestione del software, assegnare un indirizzo IP, impostare la password e accedere al flusso video.

È anche possibile reimpostare i parametri alle impostazioni predefinite di fabbrica mediante l'interfaccia Web. Andare a **Setup > System Options > Maintenance (Configurazione > Opzioni di sistema > Manutenzione)**.

Ulteriori Informazioni

Il manuale per l'utente è disponibile all'indirizzo www.axis.com

Visitare il sito all'indirizzo www.axis.com/techsup per verificare se sono stati pubblicati aggiornamenti del firmware per il proprio dispositivo di rete. Per conoscere la versione del firmware installata, andare su **Setup (Impostazioni) > About (Informazioni su)**.

Visitare il centro di apprendimento Axis alla pagina www.axis.com/academy per servizi di formazione utili, webinar, tutorial e guide.

Informazioni sulla garanzia

Per informazioni sulla garanzia del dispositivo Axis e informazioni ad esso relative, consultare la pagina www.axis.com/warranty/

Información de seguridad

Lea esta Guía de instalación con atención antes de instalar el producto. Guarde la Guía de instalación para poder consultarla en otro momento.

Niveles de peligrosidad

▲PELIGRO

Indica una situación peligrosa que, si no se evita, provocará lesiones graves o la muerte.

▲ADVERTENCIA

Indica una situación peligrosa que, si no se evita, puede provocar lesiones graves o la muerte.

▲ATENCIÓN

Indica una situación peligrosa que, si no se evita, puede provocar lesiones moderadas o leves.

AVISO

Indica una situación peligrosa que, si no se evita, puede provocar daños materiales.

Otros niveles de mensaje

Importante

Indica información importante que es fundamental para que el producto funcione correctamente.

Nota

Indica información útil que ayuda a aprovechar el producto al máximo.

Instrucciones de seguridad

AVISO

- El producto de Axis debe utilizarse de acuerdo con la legislación y la normativa locales.
- Para usar el producto de Axis en exteriores, o en entornos similares, debe instalarse en una carcasa exterior aprobada.
- Almacene el producto de Axis en un entorno seco y ventilado.
- Evite la exposición del producto de Axis a choques o a una fuerte presión.
- No instale el producto en soportes, superficies o paredes inestables.
- No apunte la lente de la cámara hacia el sol u otras fuentes de radiación de alta intensidad, ya que esto podría causar daños a la cámara.
- Utilice solo las herramientas correspondientes cuando instale el producto de Axis. La aplicación de una fuerza excesiva con herramientas eléctricas puede provocar daños en el producto.
- No utilice limpiadores en aerosol, agentes cáusticos ni productos químicos.
- Limpie con un paño limpio humedecido con agua pura.
- Utilice solo accesorios que cumplan con las especificaciones técnicas del producto. Estos accesorios los puede proporcionar Axis o un tercero.
- Utilice solo piezas de repuesto proporcionadas o recomendadas por Axis.
- No intente reparar el producto usted mismo. Póngase en contacto con el servicio de asistencia técnica de Axis o con su distribuidor de Axis para tratar asuntos de reparación.
- No apunte la lente de la cámara hacia el sol u otras fuentes de radiación de alta intensidad, ya que esto podría causar daños a la cámara.

Transporte

AVISO

- Mantenga el embalaje de protección. Cuando transporte el producto de Axis, el embalaje de protección debe volver a ponerse en su posición original.
- Cuando transporte el producto de Axis, utilice el embalaje original o un equivalente para evitar daños en el producto.

Batería

Este producto de Axis utiliza una batería de litio BR/CR2032 de 3,0 V como fuente de alimentación del reloj interno en tiempo real. En condiciones normales, esta batería durará un mínimo de cinco años.

Un nivel bajo de batería afectará al funcionamiento del reloj en tiempo real, lo que provocará el restablecimiento de este cada vez que se encienda el producto. Cuando sea necesario sustituir la batería, aparecerá un mensaje de registro en el informe del servidor del producto. Para obtener más información sobre el informe del servidor, consulte las páginas de configuración del producto o póngase en contacto con el servicio de asistencia técnica de Axis.

La batería no debe sustituirse a menos que sea necesario; no obstante, si precisa hacerlo, póngase en contacto con el servicio de asistencia técnica de Axis en www.axis.com/techsup para solicitar ayuda.

▲ADVERTENCIA

- La sustitución incorrecta de la batería implica riesgo de explosión.
- Sustituya la batería por una batería idéntica u otra batería recomendada por Axis.
- Deseche las baterías usadas de conformidad con la normativa local o las instrucciones del fabricante.

Cubierta del domo

AVISO

- Preste atención a no arañar, dañar o dejar las huellas en la cubierta del domo, puesto que esto puede provocar una disminución de la calidad de imagen. Si es posible, mantenga el plástico de protección en la cubierta del domo hasta que se complete la instalación.
- No limpie la cubierta del domo si parece a simple vista que está limpia y nunca pule la superficie. Una limpieza excesiva podría dañar la superficie.
- Para realizar un procedimiento de limpieza general de la cubierta del domo se recomienda usar detergente o jabón neutros, sin disolventes y no abrasivos mezclados con agua pura, y un paño suave y limpio. Enjuague bien con agua pura y tibia. Seque con un paño limpio y suave para evitar las manchas de gotas de agua.
- Nunca utilice detergentes abrasivos, gasolina, benceno, acetona, etc. y evite limpiar la cubierta del domo a temperaturas elevadas o en contacto directo con la luz solar.

Guía de instalación

Esta Guía de instalación incluye instrucciones para instalar las cámaras domo de red PTZ AXIS P5514/P5515 en su red. Para conocer otros aspectos de uso del producto, consulte el Manual del usuario disponible en www.axis.com.

Pasos de la instalación

1. Asegúrese de que dispone del contenido del paquete, las herramientas y los demás materiales necesarios para la instalación. *Vea página 87.*
2. Estudie la información general del hardware. *Vea página 87.*
3. Estudie las especificaciones. *Vea página 93.*
4. Instale el hardware. *Vea página 94.*
5. Acceda al producto. *Vea página 99.*

Contenido del paquete

- Cámara domo de red PTZ AXIS P5514/P5515
- Kit de montaje para techos duros y falsos techos
- Cubierta del domo transparente (montaje previo)
- Cubierta del domo ahumada
- Materiales impresos
 - Guía de instalación (este documento)
 - Etiquetas adicionales con el número de serie (2)
 - Clave de autenticación AVHS

Accesorios opcionales

- Accesorios de montaje AXIS T91A
- Kit de montaje empotrado AXIS T94A03L

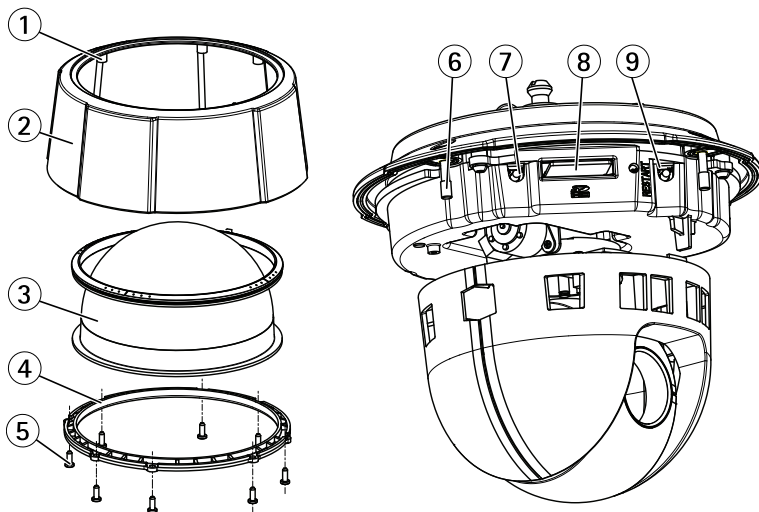
Para obtener información sobre los accesorios disponibles, visite www.axis.com.

Información general del hardware

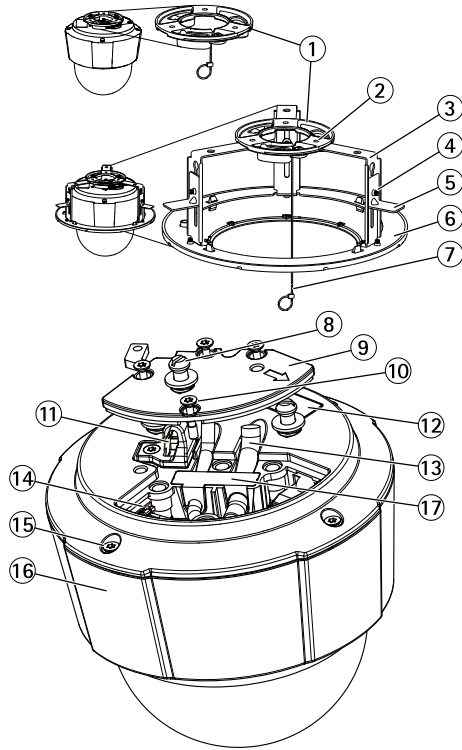
AVISO

Asegúrese de conectar el domo en modo de funcionamiento, si no, el enfoque puede verse afectado.

AXIS P55 Network Camera Series



- 1 Anillo de sellado
- 2 Cubierta superior
- 3 Domo
- 4 Anillo del domo
- 5 Tornillos del anillo del domo (8)
- 6 Indicador LED de estado
- 7 Botón de control
- 8 Ranura para tarjetas SD
- 9 Botón de reinicio



- 1 Placa de montaje
- 2 Tornillos para placa de montaje (3)
- 3 Brazos del soporte (3)
- 4 Tornillos para brazo del soporte (3) y arandelas (3)
- 5 Soporte de montaje
- 6 Anillo de ajuste
- 7 Cable de seguridad
- 8 Soportes de la unidad (3)
- 9 Tapa de la base de la cámara
- 10 Tornillos de la tapa de la base de la cámara (4)
- 11 Gancho para cable de seguridad
- 12 Número de pieza (P/N) y número de serie (S/N). Puede necesitarse el número de serie durante la instalación.
- 13 Guías de cables
- 14 Multiconector (solo para la versión para interior)
- 15 Tornillos de cubierta superior (4)
- 16 Cubierta superior
- 17 Junta de goma

Indicadores LED

LED de estado	Indicación
Apagado	Conexión y funcionamiento normal.
Verde	Se muestra fijo durante diez segundos para indicar un funcionamiento normal después de completado el inicio.
Ámbar	Fijo durante el inicio. Parpadea durante la actualización del firmware.
Ámbar/rojo	Parpadea en ámbar/rojo si la conexión a la red no está disponible o se ha perdido.

Conectores y botones

Para conocer las especificaciones y las condiciones de funcionamiento, vea *página 93*.

Conector de red

Conector Ethernet RJ45 con alimentación a través de Ethernet (PoE).

AVISO

El producto se conectará mediante un cable de red blindado (STP). Todos los cables que conecten el producto a la red deberán estar blindados para su uso específico. Asegúrese de que los dispositivos de red estén instalados de conformidad con las instrucciones del fabricante. Para obtener información sobre los requisitos normativos, vea *Electromagnetic Compatibility (EMC) on page 2*.

Botón de control

Para conocer la ubicación del botón de control, vea *Información general del hardware en la página 87*.

El botón de control se utiliza para lo siguiente:

- Restablecer el producto a la configuración predeterminada de fábrica. Vea *página 100*.
- Conectarse a un servicio AXIS Video Hosting System o al Servicio de DNS dinámico de Internet de AXIS. Para obtener más información sobre estos servicios, consulte el Manual del usuario.

Botón de reinicio

Pulse el botón de reinicio para reiniciar el producto.

Ranura para tarjetas SD

AVISO

- Riesgo de daños en la tarjeta SD. No utilice herramientas afiladas ni ejerza demasiada fuerza al insertar o retirar la tarjeta SD.
- Riesgo de pérdida de datos. Antes de retirar la tarjeta SD, es preciso desmontarla para evitar que los datos resulten dañados. Para desmontarla, vaya a **Setup > System Options > Storage > SD Card (Configuración > Opciones del sistema > Almacenamiento > Tarjeta SD)** y haga clic en **Unmount (Desmontar)**.

Este producto admite tarjetas SD/SDHC/SDXC (no incluidas).

Para conocer las recomendaciones de tarjeta SD, consulte www.axis.com.

Cable multiconector (se vende por separado)

Cuando se conectan equipos externos al producto de Axis, se debe usar un cable multiconector (disponible en Axis) para mantener la clasificación IP del producto. Su distribuidor de Axis puede proporcionarle un cable multiconector.

Enchufe el cable multiconector al multiconector del producto. Para ubicar el multiconector, vea *Información general del hardware en la página 87*. El cable proporciona los siguientes conectores:

Conector de alimentación – Bloque de terminales de 3 pines utilizado para la entrada de alimentación. Vea la imagen siguiente. Use una fuente de alimentación limitada (LPS) que cumpla los requisitos de tensión muy baja de seguridad (SELV) con una potencia nominal de salida limitada a ≤ 100 W o una corriente nominal de salida limitada a ≤ 5 A.

Entrada de audio (rosa) – Entrada de 3,5 mm para micrófono mono, o entrada de línea de señal mono (se usa el canal izquierdo de una señal estéreo).

Salida de audio (verde) – Salida de audio (nivel de línea) de 3,5 mm que se puede conectar a un sistema de megafonía pública o a un altavoz con amplificador incorporado. Debe utilizarse un conector estéreo para la salida de audio.

Conector del terminal de E/S – Se utiliza con dispositivos externos combinados, por ejemplo, con alarmas antimanipulación, detección de movimiento, activación de eventos, grabación de intervalos de tiempo y notificaciones de alarma. Además del punto de referencia de 0 V CC y la potencia (salida de CC), el conector de E/S ofrece la interfaz para:

- Salida digital: para conectar dispositivos externos como relés y LED. Los dispositivos conectados se pueden activar mediante la Interfaz de programación de aplicaciones (API) VAPIX®, los botones de salida de la página **Live View** o mediante una regla de acción. La salida se mostrará activa (se indica en **System Options > Port & Devices > Port Status (Opciones del sistema > Puerto y dispositivos > Estado del puerto)**) si el dispositivo de alarma está activado.

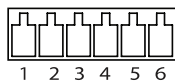
AXIS P55 Network Camera Series

- Entrada digital: una entrada de alarma para conectar dispositivos que puedan alternar circuitos cerrados y abiertos, como: detectores PIR, contactos de puertas y ventanas, detectores de rotura de cristales, etc. Cuando se recibe una señal, el estado cambia y la entrada se vuelve activa (se indica en **System Options > Port & Devices > Port Status (Opciones del sistema > Puerto y dispositivos > Estado del puerto)**).

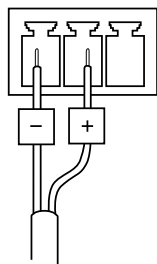
Función	Pin	Notas	Especificaciones
0 V CC (-)	1		
Salida de CC	2	Se puede utilizar para conectar el equipo auxiliar. Nota: Este pin se puede usar solo como salida.	3,3 V CC Carga máx. = 250 mA
Configurable (entrada o salida)	3-6	Entrada digital: Conectar al pin 1 para activarla o dejarla suelta (o desconectada) para desactivarla.	0 a 40 V CC máx.
		Salida digital: Conectada al pin 1 cuando se activa y suelta (sin conectar) cuando está desactivada. Si se utiliza con una carga inductiva (por ejemplo, un relé), debe conectarse un diodo en paralelo a la carga como protección ante transitorios de tensión.	De 0 a 40 V CC máx., drenaje abierto, 100 mA

Para ver un ejemplo del diagrama, consulte *Diagramas de conexión en la página 93*.

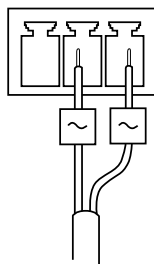
Conector de E/S



Entrada de alimentación de CC

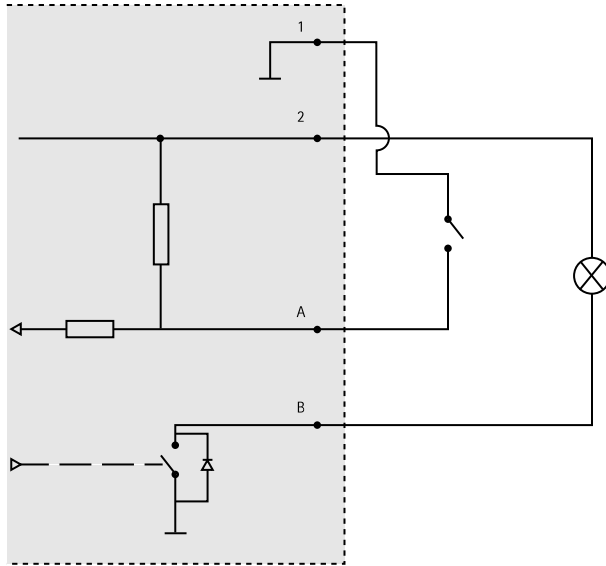


Entrada de alimentación de CA



Diagramas de conexión

Conector de E/S



- 1 0 V CC (-)
- 2 Salida de CC 3,3 V, 250 mA máx.
- A E/S configurada como entrada
- B E/S configurada como salida

Especificaciones

Condiciones de funcionamiento

Clasificación	Temperatura	Humedad
IEC 60721-4-3 Clase 3K3, 3M3 + B38 IEC 60068-2	De 0 °C a 50 °C	Humedad relativa del 15 al 85 % (sin condensación)

AXIS P55 Network Camera Series

Consumo

AVISO

Utilice una fuente de alimentación limitada (LPS) con una potencia nominal de salida limitada a ≤ 100 W o una corriente nominal de salida limitada a ≤ 5 A.

PoE	CA	CC
Alimentación a través de Ethernet (PoE) IEEE 802.3af/802.3at Tipo 1 Clase 3 12,95 W máx.	20-28 V CC, 22 VA máx.	20-24 V CA, 13,5 W máx.

Instalación del hardware

AVISO

Monte el producto con el domo mirando hacia abajo.

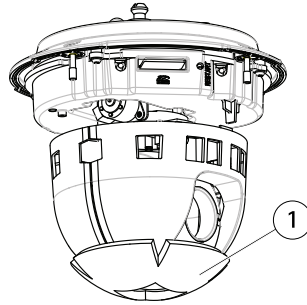
Consulte todas las instrucciones antes de preparar la instalación de la cámara de red, ya que algunos pasos de la preparación de la instalación precisan que se retire la cubierta superior y le convendría realizarlos todos juntos.

- Retire el embalaje de protección antes de instalar la cámara.
- El producto se suministra con una cubierta del domo transparente (premontada) y una cubierta del domo transparente ahumada. Para sustituir la cubierta del domo, vea *página 95*.
- Puede emplearse una tarjeta SD estándar o de gran capacidad (no incluida) para el almacenamiento local de grabaciones en el producto. Vea *página 96*.
- Para instalar el producto utilizando un soporte compatible de los accesorios de montaje AXIS T91A (se venden por separado), vea *página 98*.

Retirada del embalaje de protección

Vea *Información general del hardware en la página 87* para conocer la ubicación de los componentes.

1. Afloje los cuatro tornillos de la cubierta superior y retírela.
2. Retire el embalaje de protección.



1 Embalaje de protección

3. Para sustituir la cubierta del domo transparente/ahumada, vea *página 95*. Para instalar una tarjeta SD, vea *página 96*.
4. Vuelva a colocar la cubierta superior en su posición original y afloje los dos tornillos opuestos en diagonal primero (par de torsión $< 0,7$ Nm) y, a continuación, afloje los otros dos tornillos.

Sustitución de la cubierta del domo

Nota

Tenga cuidado de no arañar o dañar la cubierta del domo. Si es posible, mantenga el plástico de protección en la cubierta del domo hasta que termine la instalación.

La sustitución de la cubierta del domo solo es necesaria si desea usar la cubierta ahumada o si la cubierta del domo se ha arañado o dañado. Su distribuidor de Axis puede proporcionarle cubiertas de domo de repuesto.

Vea *Información general del hardware en la página 87* para conocer la ubicación de los componentes.

1. Afloje los tornillos de la cubierta superior y retírela.
2. Extraiga los 8 tornillos del anillo del domo y retire dicho anillo de la cubierta superior.
3. Fije el anillo del domo y la cubierta del domo de sustitución a la cubierta superior y asegúrela apretando los tornillos (par de torsión de $0,4$ a $0,6$ Nm).
4. Para instalar una tarjeta SD (no incluida), vea *página 96*.
5. Vuelva a colocar la cubierta superior en su posición original y apriete los dos tornillos opuestos en diagonal primero (par de torsión $< 0,7$ Nm) y, a continuación, los otros dos.

Instalación de una tarjeta SD

AVISO

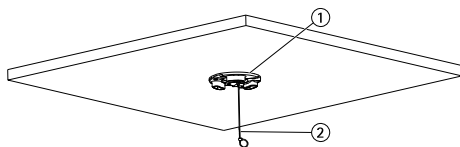
Para evitar que las grabaciones resulten dañadas, es preciso desmontar la tarjeta SD antes de expulsarla. Para desmontarla, vaya a **Setup > System Options > Storage > SD Card** (Configuración > Opciones del sistema > Almacenamiento > Tarjeta SD) y haga clic en **Unmount (Desmontar)**.

La instalación de una tarjeta SD estándar o de gran capacidad (no incluida) para la grabación local con almacenamiento extraíble es opcional.

Vea *Información general del hardware en la página 87* para conocer la ubicación de los componentes.

1. Afloje los 4 tornillos de la cubierta superior y retírela.
2. Inserte una tarjeta SD (no incluida) en la ranura para tarjetas SD.
3. Vuelva a colocar la cubierta superior en su posición original y afloje los dos tornillos opuestos en diagonal primero (par de torsión < 0,7 Nm) y, a continuación, afloje los demás.

Montaje en techo duro

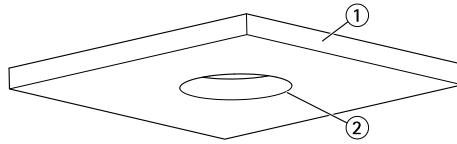


1. *Placa de montaje*
2. *Cable de seguridad*

Para instalar la placa de montaje:

1. Utilice la plantilla de perforado proporcionada para realizar los orificios en su sitio. Utilice brocas, tornillos y tacos adecuados para el material del techo.
2. Instale la placa de montaje.
3. Afloje los 4 tornillos de la tapa de la base de la cámara y extráigala. Vea Información general del hardware en *página 89*. Asegúrese de no dañar los cables cuando los conecte.
4. Pase y conecte el cable de red y el cable multiconector (opcional) por las guías de cables y los orificios de la junta de goma.
5. Vuelva a colocar la tapa de la base de la cámara en su posición original y apriete los tornillos.
6. Fije la cámara con el cable de seguridad suministrado.
7. Deslice los soportes de la cámara de red por las ranuras de la placa de montaje y gire la unidad de cámara.

Montaje en falso techo

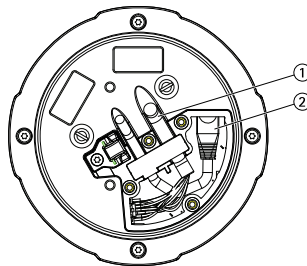


1. *Placa del techo*
2. *Diámetro del orificio de 190 mm.*

Nota

- El peso combinado del montaje en techo y la cámara es aproximadamente de 2,3 kg. Compruebe que el material del techo sea lo suficientemente resistente como para soportar ese peso.
- La placa del techo debe tener un grosor de entre 5 y 60 mm.

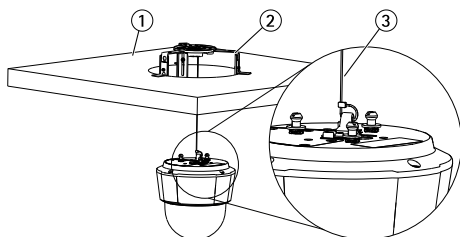
1. Retire la placa del techo en la que se vaya a ajustar el montaje del falso techo.
2. Utilice la plantilla suministrada para marcar la posición del agujero de 189,5 mm en la placa del techo. Corte según la plantilla.
3. Monte el soporte del techo.
4. Coloque el soporte del techo en la placa del techo. Consulte la ilustración más abajo.
5. Apriete los tornillos del brazo del soporte con un destornillador Torx 20.
6. Afloje los 4 tornillos de la tapa de la base de la cámara y extráigala. (Vea Información general del hardware en *página 89*).
7. Quite la junta de goma y pase el cable de red y el cable multiconector, si procede. Asegúrese de no dañar los cables cuando los conecte a la cámara de red.



1. *Cable multiconector*
2. *Cable de red*

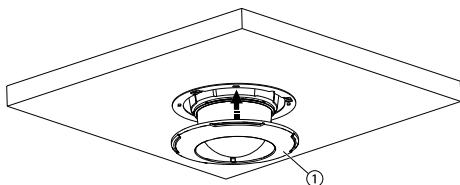
8. Vuelva a colocar la tapa de la base de la cámara en su posición original y apriete los tornillos.

9. Fije la cámara con el cable de seguridad suministrado.



1. *Placa del techo*
2. *Soporte del techo*
3. *Cable de seguridad*

10. Deslice los soportes de la cámara de red por las ranuras de la placa de montaje y gire la unidad de cámara.
11. Instale la placa del techo, con la cámara montada en ella, en el techo.
12. Coloque el anillo de ajuste sobre el soporte del techo y encájelo en su sitio.

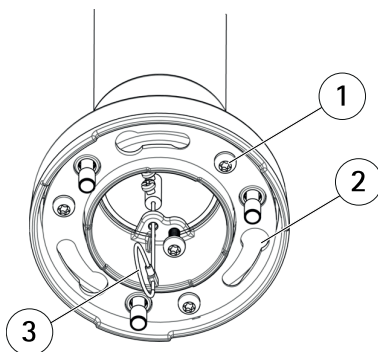


1. *Anillo de ajuste*

Instale la cámara en un montaje con escuadra (se vende por separado)

⚠ADVERTENCIA

- Riesgo de descarga eléctrica. El producto deberá conectarse a tierra mediante un cable de tierra. Asegúrese de que los dos extremos del cable de tierra estén en contacto con sus respectivas superficies de toma de tierra.
1. Instale el soporte (no incluido) según las instrucciones que lo acompañan. Si es necesario perforar, asegúrese de usar brocas, tornillos y tacos adecuados para el material. Para obtener información sobre los accesorios de montaje disponibles, vea www.axis.com.
 2. Fije la cámara con el cable de seguridad suministrado.
 3. Afloje los tornillos de la tapa de la base de la cámara y extráigala.



- 1 Tornillo
- 2 Ranuras para soportes de unidades
- 3 Cable de seguridad

Nota

- Asegúrese de no dañar los cables cuando los conecte.
 - Asegúrese de que los orificios de la junta de goma estén alineados con las guías de cables y, si corresponde, retire la pieza de corte del cable multiconector de la junta de goma.
4. Conecte el cable de red y el cable multiconector (se vende por separado), si corresponde, a la cámara.
 5. Gire los soportes de cables para colocar los cables en su lugar.
 6. Vuelva a colocar la tapa de la base de la cámara en su posición original y apriete los tornillos (par de torsión de 1,5 Nm).
 7. Deslice los soportes de la cámara de red por las ranuras del soporte de montaje y gire la unidad de cámara.
 8. Fije la cámara de red al soporte de montaje ajustando los tornillos.

Acceso al producto

Se recomiendan AXIS IP Utility y AXIS Camera Management como métodos para buscar los productos de Axis en la red y asignarles direcciones IP en Windows®. Ambas aplicaciones son gratuitas y pueden descargarse de www.axis.com/techsup

El producto se puede utilizar con la mayoría de los sistemas operativos y navegadores. Los navegadores recomendados son

- Internet Explorer® con Windows®
- Safari® con OS X®
- Chrome™ o Firefox® con otros sistemas operativos.

AXIS P55 Network Camera Series

Para obtener más información sobre el uso del producto, consulte el Manual del usuario, disponible en www.axis.com.

Restablecimiento a la configuración predeterminada de fábrica

Importante

Hay que tener cuidado al restablecer la configuración predeterminada de fábrica. Todos los valores, incluida la dirección IP, se restablecerán a la configuración predeterminada de fábrica.

Nota

Las herramientas del software de instalación y gestión están disponibles en las páginas de asistencia técnica en www.axis.com/techsup.

Para restablecer el producto a la configuración predeterminada de fábrica:

1. Pulse los botones de control y de reinicio al mismo tiempo.
2. Suelte el botón de reinicio pero mantenga pulsado el botón de control durante 15-30 segundos, hasta que el indicador LED de estado parpadee en ámbar.
3. Suelte el botón de control. El proceso finaliza cuando el indicador LED de estado se pone verde. El producto se ha restablecido a la configuración predeterminada de fábrica. Si no hay ningún servidor DHCP disponible en la red, la dirección IP predeterminada es 192.168.0.90.
4. Utilice las herramientas del software de instalación y gestión para asignar una dirección IP, establecer la contraseña y acceder a la transmisión de vídeo.

También es posible restablecer los parámetros a los valores predeterminados de fábrica mediante la interfaz web. Para ello, vaya a **Setup > System Options > Maintenance (Configuración > Opciones del sistema > Mantenimiento)**.

Más información

El Manual de usuario se encuentra disponible en www.axis.com.

Visite www.axis.com/techsup para comprobar si existe un firmware actualizado disponible para su producto de red. Para ver la versión del firmware instalado actualmente, vaya a **Setup > About (Configuración > Acerca de)**.

Visite el centro de aprendizaje de www.axis.com/academy para consultar guías, tutoriales, seminarios web y cursos que pueden resultarle útiles.

Información de garantía

Para obtener más detalles sobre la garantía del producto de Axis y la información relacionada con ella, consulte www.axis.com/warranty/

安全情報

本製品を設置する前に、このインストールガイドをよくお読みください。インストールガイドは、後で参照できるように保管しておいてください。

危険レベル

▲危険

回避しない場合、死亡または重傷につながる危険な状態を示します。

▲警告

回避しない場合、死亡または重傷につながるおそれのある危険な状態を示します。

▲注意

回避しない場合、軽傷または中程度の怪我につながるおそれのある危険な状態を示します。

注記

回避しない場合、器物の破損につながるおそれのある状態を示します。

その他のメッセージレベル

重要

製品を正しく機能させるために不可欠な重要情報を示します。

注意

製品を最大限に活用するために役立つ有用な情報を示します。

安全手順

注記

- 本製品は、お使いになる地域の法律や規制に準拠して使用してください。
- 本製品を屋外またはそれに準じる環境で使用する場合は、認定済みの屋外用筐体に収納して設置する必要があります。
- 本製品は乾燥した換気のよい環境に保管してください。
- 本製品に衝撃または強い圧力を加えないでください。
- 本製品を不安定なブラケット、表面、または壁に設置しないでください。
- カメラが損傷する可能性があるため、カメラのレンズを太陽や強力な光源に向けしないでください。
- 本製品を設置する際には、適切な工具のみを使用してください。電動工具を使用して過剰な力をかけると、製品が損傷することがあります。
- 化学薬品、腐食剤、噴霧式クリーナーは使用しないでください。
- 清掃には、きれいな水に浸した清潔な布を使用してください。
- 製品の技術仕様に準拠したアクセサリのみを使用してください。これらのアクセサリは、Axisまたはサードパーティから入手できます。
- Axisが提供または推奨する交換部品のみを使用してください。
- 製品を自分で修理しないでください。修理については、Axisサポートまたは販売代理店にお問い合わせください。
- カメラが損傷する可能性があるため、カメラのレンズを太陽や強力な光源に向けしないでください。

輸送

注記

- 保護包装は保管しておいてください。本製品を輸送する際には、必ず保護包装を元の位置に戻してください。
- 本製品を運搬する際は、製品が損傷しないよう、元の梱包か同等の梱包を使用してください。

バッテリー

本製品は、内部リアルタイムクロック (RTC) 用電源として、3.0 V BR/CR2032 リチウムバッテリーを使用します。このバッテリーは、通常条件下で最低5年間使用できます。

バッテリーが低電力状態になると、RTCの動作に影響し、電源を入れるたびにRTCがリセットされます。バッテリーの交換が必要になると、製品のサーバーレポートに

ログメッセージが表示されます。サーバーレポートの詳細については、製品の設定ページを参照するか、Axisサポートまでお問い合わせください。

必要な場合以外はバッテリーを交換しないでください。バッテリーの交換が必要な場合は、Axisサポート (www.axis.com/techsup) までご連絡ください。

▲警告

- バッテリーは、正しく交換しないと爆発する危険があります。
- 交換用バッテリーとしては、同一品またはAxisが推奨するバッテリーのみを使用してください。
- 使用済みバッテリーは、地域の規制またはバッテリーメーカーの指示に従って廃棄してください。

ドームカバー

注記

- 画質低下の原因となるので、ドームカバーに傷や指紋を付けたり、損傷しないように注意してください。可能であれば、設置が完了するまでドームカバーに保護プラスチックを付けたままにしてください。
- 肉眼で見て汚れがない場合は、ドームカバーを掃除しないでください。また、絶対に表面を磨かないでください。過度な清掃により、表面が破損することがあります。
- ドームカバーの通常のクリーニングには、磨耗防止タイプの無溶媒の中性石鹸またはきれいな水で薄めた洗剤と、柔らかい清潔な布を使用することをお勧めします。洗浄後、きれいなぬるま湯でよくすすいでください。水滴の跡が付かないよう、清潔な柔らかい布で拭いて乾かしてください。
- 強力な洗剤、ガソリン、ベンジン、アセトンなどは絶対に使用しないでください。また直射日光が当たる場所や気温が上昇する場所での、ドームカバーの清掃は避けてください。

インストールガイド

このインストールガイドでは、AXIS P5514/P5515 PTZドームネットワークカメラをお使いのネットワークにインストールする手順について説明します。製品の使用の詳細については、Axisのホームページ (www.axis.com) でユーザーズマニュアルを参照してください

設置手順

1. パッケージの内容、ツールなど、設置に必要な物がそろっているかを確認します。107ページを参照してください。
2. ハードウェアの概要を確認します。107ページを参照してください。
3. 仕様を確認します。114ページを参照してください。
4. ハードウェアを設置します。114ページを参照してください。
5. 製品にアクセスします。120ページを参照してください。

パッケージの内容

- AXIS P5514/P5515 PTZドームネットワークカメラ
- 天吊り/天井埋め込み取り付け用キット
- 透明ドームカバー (装着済み)
- スモークドームカバー
- 印刷物
 - インストールガイド (本書)
 - 予備のシリアル番号ラベル×2
 - AVHS認証キー

オプションアクセサリ

- AXIS T91A取り付けアクセサリ
- AXIS T94A03L埋込み式マウントキット

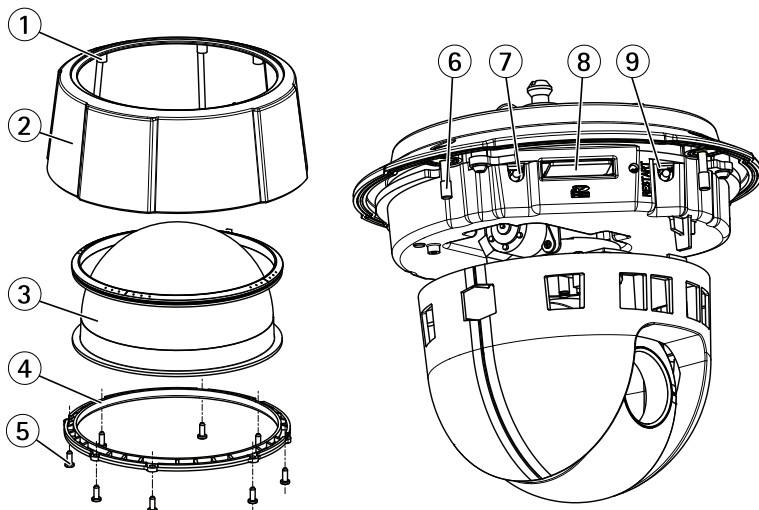
利用可能なアクセサリについては、www.axis.comを参照してください

ハードウェアの概要

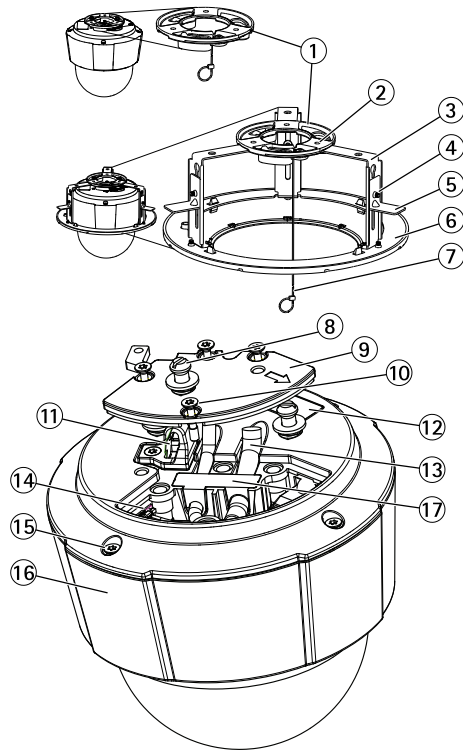
注記

ドームは動作モードで取り付けてください。そのようにしない場合、フォーカスに影響する場合があります。

AXIS P55 Network Camera Series



- 1 密閉リング
- 2 上蓋
- 3 ドーム
- 4 ドームリング
- 5 ドームリングネジ (×8)
- 6 ステータスインジケータ-LED
- 7 コントロールボタン
- 8 SDカードスロット
- 9 再起動ボタン



- 1 取り付けプレート
- 2 取り付けプレートネジ(×3)
- 3 ブラケットアーム(×3)
- 4 ブラケットアームネジ(×3)とワッシャ(×3)
- 5 取り付けブラケット
- 6 トリムリング
- 7 安全ワイヤー
- 8 ユニットホルダー(×3)
- 9 カメラ本体のふた
- 10 カメラ本体のふた用ねじ(×4)
- 11 安全ワイヤーフック
- 12 型番(P/N)とシリアル番号(S/N)。インストール時にシリアル番号が必要になる場合があります。
- 13 ケーブルレール
- 14 マルチコネクタ(屋内向けのみ)
- 15 トップカバー用ネジ(×4)
- 16 上蓋

17 ゴム製ガスケット

LEDインジケーター

ステータスLED	説明
無点灯	接続時と正常動作時は、無点灯のままです。
緑	起動後正常に動作する場合、10秒間、緑色に点灯します。
黄	起動時に点灯し、ファームウェアのアップグレード時には点滅します。
黄/赤	ネットワーク接続が利用できないか、失われた場合は、黄色/赤色で点滅します。

コネクタとボタン

仕様と動作条件については、114ページを参照してください。

ネットワークコネクタ

RJ45イーサネットコネクタ、Power over Ethernet (PoE) 対応。

注記

本製品は、シールドネットワークケーブル (STP) を使用して接続してください。本製品は、用途に合ったケーブルを使用してネットワークに接続してください。ネットワーク装置がメーカーの指示どおりに設置されていることを確認します。法的要件については、*Electromagnetic Compatibility (EMC) on page 2*を参照してください。

コントロールボタン

コントロールボタンの位置については、107ページの、ハードウェアの概要を参照してください。

コントロールボタンは、以下の用途で使用します。

- 製品を工場出荷時の設定にリセットする。120ページを参照してください。
- AXIS Video Hosting SystemサービスまたはAXIS Internet Dynamic DNSサービスに接続する。これらのサービスの詳細については、ユーザーズマニュアルを参照してください。

再起動ボタン

再起動ボタンを押すと、製品が再起動します。

SDカードスロット

注記

- SDカード損傷の危険があります。SDカードの挿入と取り外しの際には、鋭利な工具を使用したり、過剰な力をかけないでください。
- データ損失の危険があります。データが破損しないように、SDカードはマウント解除してから取り外す必要があります。SDカードをアンマウントするには、[Setup] (設定) > [System Options] (システムオプション) > [Storage] (ストレージ) > [SD Card] (SDカード) を選択し、[Unmount] (アンマウント) をクリックします。

本製品は、SD/SDHC/SDXCカードに対応しています (別売)。

推奨するSDカードについては、www.axis.comを参照してください

マルチコネクタケーブル (別売)

本製品に外部機器を接続する際には、カメラのIP定格を維持するため、マルチコネクタケーブル (Axisから購入可能) が必要になります。マルチコネクタケーブルは、Axisの販売代理店から購入できます。

マルチコネクタケーブルは、本製品のマルチコネクタに接続します。マルチコネクタの位置については、107ページの、ハードウェアの概要を参照してください。このケーブルには、以下のコネクタがあります。

電源コネクタ - 電源入力用3ピンターミナルブロック。下の図を参照してください。定格出力が100 W以下または5 A以下の安全特別低電圧 (SELV) に準拠した有限電源 (LPS) を使用してください。

音声入力 (ピンク) - モノラルマイクロフォンまたはラインインモノラル信号用 (左チャンネルはステレオ信号で使用) 3.5 mm入力。

音声出力 (緑) - 3.5 mm音声 (ラインレベル) 出力 (パブリックアドレス (PA) システムまたはアンプ内蔵アクティブスピーカーに接続可能)。音声出力には、ステレオコネクタを使用する必要があります。

I/Oターミナルコネクタ - 外部装置を接続し、カメラに対するいたずらの警報、動体検知、イベントトリガー、低速度撮影、アラーム通知などを使用することができます。I/Oコネクタは、0 V DC基準点と電力 (DC出力) に加えて、以下のインターフェースを提供します。

- デジタル出力 - リレーやLEDなどの外部デバイスを接続します。接続されたデバイスは、VAPIX®アプリケーションプログラミングイン

AXIS P55 Network Camera Series

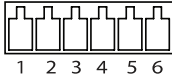
ターフェース (API)、[Live View] (ライブビュー) ページの出力ボタン、アクションルールを使用してアクティブにすることができます。アラームデバイスがアクティブな場合は、出力が active として表示されます (System Options > Port & Devices > Port Status (システムオプション - ポートとデバイス - ポートの状態) で表示)。

- デジタル入力 - オープンサーキットとクローズサーキットの切り替えが可能なデバイスを接続するためのアラーム入力。信号を受け取ると状態が変化し、入力が active になります (System Options > Ports & Devices > Port Status (システムオプション - ポートとデバイス - ポートの状態) で表示)。

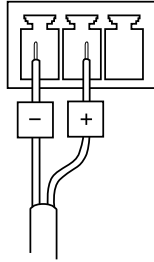
機能	ピン	備考	仕様
0 V DC (-)	1		
DC出力	2	補助装置の電源供給に使用できません。 注: このピンは、電源出力としてのみ使用できます。	3.3 V DC 最大負荷 = 250 mA
設定可能 (入力または出力)	3-6	デジタル入力 - 動作させるにはピン1に接続し、動作させない場合はフロート状態 (未接続) のままにします。	0~40 VDC (最大)
		デジタル出力 - 動作させるにはピン1に接続し、動作させない場合はフロート状態 (未接続) にします。誘導負荷 (例: リレー) とともに使用する場合は、過渡電圧から保護するため、ダイオードを負荷と並列に接続する必要があります。	0~40 VDC (最大)、 オープンドレイン、100 mA

接続例の図については、113ページの、[接続図](#)を参照してください。

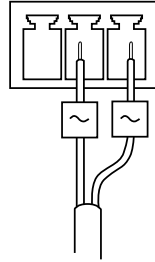
I/Oコネクタ



DC電源入力

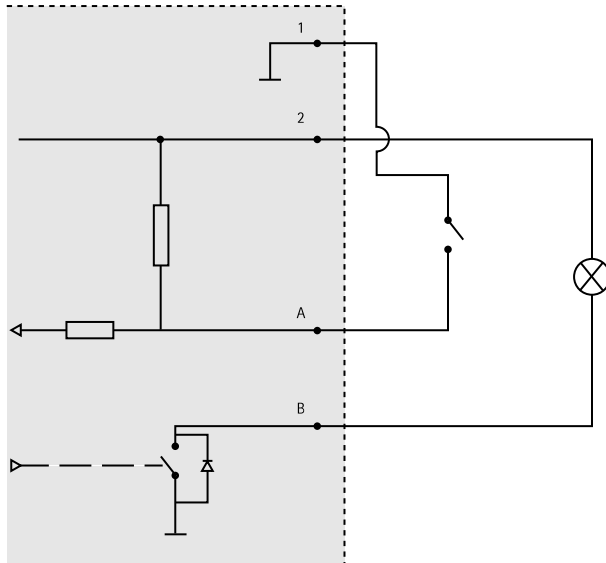


AC電源入力



接続図

I/Oコネクタ



- 1 0VDC (-)
- 2 DC出力3.3V、最大250mA
- A I/O (入力として設定)
- B I/O (出力として設定)

仕様

動作条件

等級	温度	湿度
IEC 60721-4-3 Class 3K3、 3M3 + B38 IEC 60068-2	0 ° C ~ 50 ° C	湿度: 15 ~ 85% RH (結露不可)

消費電力

注記

定格出力が100 Wまたは5 A以下の有限電源 (LPS) を使用します。

PoE	AC	DC
Power over Ethernet (PoE) IEEE 802.3af/802.3at Type 1 Class 3 最大12.95 W	20 ~ 28 V DC、最大22 VA	20 ~ 24 V AC、最大13.5 W

ハードウェアの設置

注記

本製品はドームを下向きにして取り付けてください。

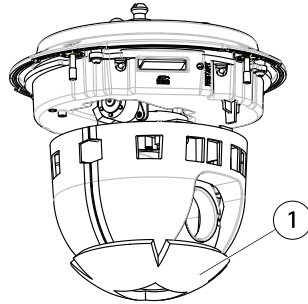
ネットワークカメラのインストールの準備手順では、トップカバーを取り外すことが必要なステップが複数あるため、これらのステップを同時に行えるようすべての手順をよく読んでから取付準備を行ってください。

- カメラの取付前に緩衝材を取り除きます。
- 本製品には透明ドームカバー (装着済み) とスモーク透明カバーとが同梱されています。ドームカバーの交換方法については、115ページを参照してください。
- 標準または大容量のSDカード (非付属品) を使用すると、ローカルに録画を行えます。116ページを参照してください。
- AXIS T91A取り付けアクセサリの互換ブラケット (別売) を使用した製品の設置方法については、119ページを参照してください。

緩衝材を取り除く

コンポーネントの位置については、107ページの、ハードウェアの概要を参照してください。

1. トップカバー用ネジ4本を緩めて、トップカバーを取り外します。
2. 緩衝材を取り除きます。



1 緩衝材

3. クリア/半透明ドームカバーの交換方法については、115ページを参照してください。SDメモリーカードの装着方法については、116ページを参照してください。
4. トップカバーを元の位置に配置し、対角にある2本のネジをまず締め(トルクは0.7 Nm未満)、その後に残り2本のネジを締めます。

ドームカバーの交換

注意

ドームカバーに傷が付いたり、損傷したりしないよう注意してください。可能であれば、設置が完了するまでドームカバーに保護プラスチックを付けたままにしてください。

スモークドームカバーを使用したい場合や、ドームカバーに傷が付いたり、損傷したりした場合にのみ、ドームカバーの交換が必要になります。交換用のドームカバーは、Axisの販売代理店から購入できます。

コンポーネントの位置については、107ページの、ハードウェアの概要を参照してください。

1. トップカバー用ネジを緩めて、トップカバーを取り外します。
2. 8本のドームリングのネジを取り外し、トップカバーからドームリングを取り外します。

- ドームリングと代替ドームカバーをトップカバーに取り付け、ネジを締め、固定します (トルク0.4~0.6 Nm)。
- SDカード (別売) の装着方法については、116ページを参照してください。
- トップカバーを元の位置に配置し、対角にある2本のネジを締め (トルクは0.7 Nm未満)、その後に残りのネジを締めます。

SDカードの装着

注記

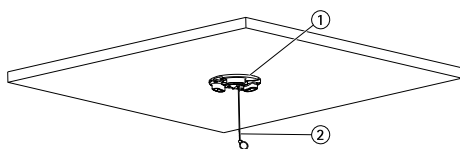
SDカードは、取り外す前に、録画データが破損しないようにアンマウントする必要があります。SDカードをアンマウントするには、**Setup > System Options > Storage > SD Card (設定 > システムオプション > ストレージ > SDカード)** を選択し、**Unmount (アンマウント)** をクリックします。

必要に応じて、標準または大容量のSDカード (非付属品) を装着すると、ローカルに録画を行うことができます。

コンポーネントの位置については、107ページの、**ハードウェアの概要**を参照してください。

- 4本のトップカバー用ネジを緩めて、トップカバーを取り外します。
- SDカード (非付属品) をSDカードスロットに挿入します。
- トップカバーを元の位置に配置し、対角にある2本のネジをまず締め (トルク0.7 Nm未満)、その後に残りのネジを締めます。

天井取り付けキット



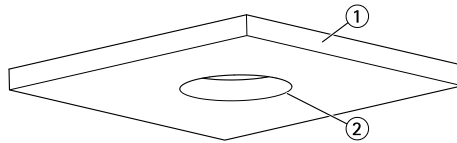
- 取り付けプレート
- 安全ワイヤ

取り付けプレートの取り付け方法:

- 付属のドリルテンプレートを使って穴を配置します。天井の材質に適したドリルビット、ねじ、およびプラグを使用してください。
- 取り付けプレートを取り付けます。
- 4本のカメラ本体のふたのネジをゆるめて、カメラ本体のふたを取り外します。109ページの「ハードウェアの概要」を参照してください。接続時にケーブルを傷つけないよう、注意してください。

4. ネットワークケーブルと、(必要に応じて)マルチコネクタケーブルをケーブルラールに沿って配線および接続し、ゴム製ガasketの穴に通します。
5. カメラ本体のふたを元の位置に取り付け、ねじを締めます。
6. 付属の安全ワイヤーを使用してカメラを固定します。
7. ネットワークカメラのユニットホルダーを据付プレートの溝穴に滑り込ませ、カメラユニットを回転させます。

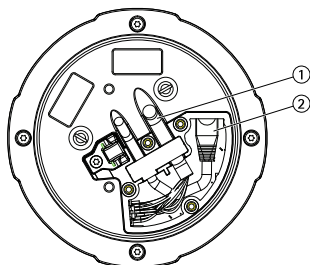
埋め込み取り付けキット



1. 天井ボード
2. 穴径190 mm

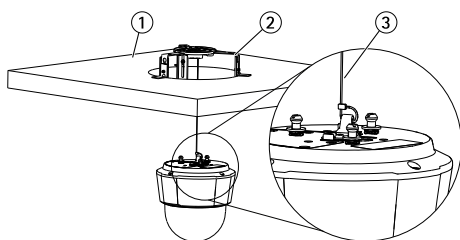
注意

- カメラと天井取付部品の総重量は、約2.3 kgです。天井の素材にこの重量を十分に支えられる強度があることを確認してください。
 - 必要な天井ボードの厚さは5~60 mmです。
1. 埋め込み取り付けキットを取り付ける天井ボードを取り外します。
 2. 付属のテンプレートを使用して、天井タイルに189.5 mmの穴にマークを付けます。テンプレートに沿って天井タイルを切り取ります。
 3. 天井ブラケットを組み立てます。
 4. 天井ブラケットを天井タイルに合わせます。下の図を参照してください。
 5. トルクス20のドライバーを使用して、ブラケットアームのねじを締めます。
 6. 4本のカメラ本体のふたのネジをゆるめて、カメラ本体のふたを取り外します。(109ページの「ハードウェアの概要」を参照してください)。
 7. 必要に応じて、ゴム製ガasketを取り外し、ネットワークケーブルおよびマルチコネクタケーブルを通します。ネットワークカメラに接続する際にケーブルが破損しないように注意してください。



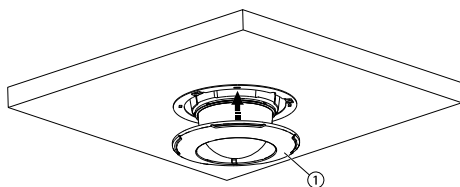
1. マルチコネクタケーブル
2. ネットワークケーブル

8. カメラ本体のふたを元の位置に取り付け、ねじを締めます。
9. 付属の安全ワイヤーを使用してカメラを固定します。



1. 天井ボード
2. 天井ブラケット
3. 安全ワイヤー

10. ネットワークカメラのユニットホルダーを据付プレートの溝穴に滑り込ませ、カメラユニットを回転させます。
11. カメラを取り付けた天井タイルを天井に戻します。
12. 天井ブラケットと装飾リングの位置合わせをし、しっかりとめ込みます。

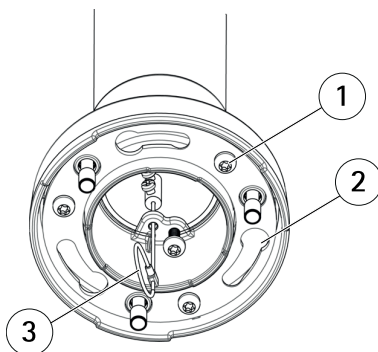


1. トリムリング

ブラケット (別売) へのカメラの取り付け

▲警告

- 感電の危険があります。本製品は、アース線を使用して接地してください。アース線の両端がアース面と接触していることを確認してください。
1. ブラケット付属の説明書に従って、ブラケット (非付属品) を取り付けます。ドリルによる穴開けが必要な場合は、素材に適したドリルビット、ネジ、プラグを使用してください。利用可能なアクセサリについては、www.axis.comを参照してください。
 2. 付属の安全ワイヤーを使用してカメラを固定します。
 3. カメラベスリッドのネジをゆるめて、カメラベスリッドを取り外します。



- 1 ネジ
- 2 ユニットホルダー用スロット
- 3 安全ワイヤー

注意

- 接続時にケーブルを傷つけないよう、注意してください。
 - フォームガスケット孔とケーブルの位置を合わせ、必要な場合は、フォームガスケットにマルチコネクタケーブル用のカットアウトを開きます。
4. ネットワークケーブルと、必要に応じてマルチコネクタケーブル (別売) をカメラに接続します。
 5. ケーブルが適切な位置に保持されるよう、ケーブルホルダーを回転させます。
 6. カメラベスリッドを元の位置に戻し、ネジをしっかりと締めます (トルク 1.5 Nm)。

7. ネットワークカメラのユニットホルダーを取り付け用ブラケットのロットにはめ込み、カメラユニットを回転させます。
8. ネジを締め、ネットワークカメラを取り付けブラケットに固定します。

製品へのアクセス

ネットワーク上でAXIS製品を検索したり、Windows®でそれにIPアドレスを割り当てるには、AXIS IP UtilityまたはAXIS Camera Managementの使用をお勧めします。いずれのアプリケーションも無料で、www.axis.com/techsupからダウンロードできます

本製品は、ほとんどのオペレーティングシステムとブラウザでご利用いただけます。推奨ブラウザは以下のとおりです。

- Internet Explorer® (Windows®の場合)
- Safari® (OS X®の場合)
- Chrome™またはFirefox® (その他のオペレーティングシステムの場合)

製品の使用の詳細については、Axisのホームページ (www.axis.com) でユーザーズマニュアルを参照してください

工場出荷時の設定にリセットする

重要

工場出荷時の設定へのリセットは慎重に行ってください。工場出荷時の設定へのリセットを行うと、IPアドレスを含むすべての設定が工場出荷時の値にリセットされます。

注意

www.axis.com/techsupのサポートページに、インストール・管理ソフトウェアツールが用意されています。

本製品を工場出荷時の設定にリセットするには、以下の手順を実行します。

1. コントロールボタンと再起動ボタンを同時に押し、そのまま押し続けます。
2. 再起動ボタンだけを離し、コントロールボタンをステータスインジケータLEDが黄色に点滅するまで15~30秒間押し続けます。
3. コントロールボタンを離します。プロセスが完了すると、ステータスLEDが緑色に変わります。これで本製品は工場出荷時の設定にリセットされました。ネットワーク上に利用可能なDHCPサーバーがない場合、デフォルトのIPアドレスは192.168.0.90になります。
4. インストール・管理ソフトウェアツールを使用して、IPアドレスの割り当て、パスワードの設定、ビデオストリームへのアクセスを行います。

Webインターフェースを使用して、各種パラメーターを工場出荷時の設定に戻すこともできます。**[Setup - System Options - Maintenance] (設定 - システムオプション - 保守)** を選択します。

関連情報

ユーザーズマニュアルは、www.axis.comで入手できます。

www.axis.com/techsuplにアクセスして、ご使用のネットワーク製品の新しいファームウェアがリリースされていないかを確認してください。現在インストールされているファームウェアのバージョンを確認するには、**[Setup - About] (設定 - バージョン情報)** を参照してください。

Axisラーニングセンター (www.axis.com/academy) にアクセスしてください。役に立つトレーニング、ウェブセミナー、チュートリアル、ガイドをご用意しています。

保証情報

Axisの製品保証と関連情報については、www.axis.com/warranty/をご覧ください

