

ENGLISH

FRANÇAIS

DEUTSCH

ITALIANO

ESPAÑOL

日本語

中文

AXIS PT IR Illuminator Kit C

Installation Guide

Safety information	7
Hazard levels	7
Other message levels	7
Safety instructions	8
Transportation	8
Package contents	9
Hardware overview	10
How to install the product	11
Technical specifications	16
Connectors	16
Operating conditions	17
Power consumption	17
Informations sur la sécurité	19
Niveaux de risques	19
Autres niveaux de message	19
Consignes de sécurité	20
Transport	20
Contenu de l'emballage	21
Aperçu du matériel	22
Comment installer le produit	23
Caractéristiques techniques	28
Connecteurs	28
Conditions d'utilisation	29
Consommation d'énergie	29
Sicherheitsinformationen	31
Gefährdungstufen	31
Weitere Nachrichtenstufen	31
Sicherheitsanweisungen	32
Transport	32
Lieferumfang	33
Übersicht über die Hardware	34
Installieren des Produkts	35
Technische Daten	40
Anschlüsse	40
Betriebsbedingungen	41
Leistungsaufnahme	41
Informazioni di sicurezza	43
Livelli di pericolo	43
Altri livelli di messaggio	43
Informazioni di sicurezza	44
Trasporto	44
Contenuto della confezione	45
Panoramica dell'hardware	46

Come installare il dispositivo	47
Specifiche tecniche	52
Connettori	52
Condizioni di funzionamento	53
Consumo elettrico	53
Información de seguridad	55
Niveles de peligro	55
Otros niveles de mensaje	55
Instrucciones de seguridad	56
Transporte	56
Contenido del paquete	57
Información general del hardware	58
Cómo instalar el producto	59
Especificaciones técnicas	64
Conectores	64
Condiciones de funcionamiento	65
Consumo de energía	65
安全情報	67
危険レベル	67
その他のメッセージレベル	67
安全手順	68
輸送	68
パッケージの内容	69
ハードウェアの概要	70
製品の取り付け方法	71
技術仕様	76
コネクタ	76
動作条件	77
消費電力	77
安全情報	79
危険等級	79
其他消息等級	79
安全说明	80
运输	80
包装内容	81
硬件概览	82
如何安装产品	83
技术规格	87
接口	87
工作条件	88
功耗	88

Read this first

Read through this Installation Guide carefully before installing the product. Keep the Installation Guide for future reference.

Legal considerations

Video and audio surveillance can be regulated by laws that vary from country to country. Check the laws in your local region before using this product for surveillance purposes.

Liability

Every care has been taken in the preparation of this document. Please inform your local Axis office of any inaccuracies or omissions. Axis Communications AB cannot be held responsible for any technical or typographical errors and reserves the right to make changes to the product and manuals without prior notice. Axis Communications AB makes no warranty of any kind with regard to the material contained within this document, including, but not limited to, the implied warranties of merchantability and fitness for a particular purpose. Axis Communications AB shall not be liable nor responsible for incidental or consequential damages in connection with the furnishing, performance or use of this material. This product is only to be used for its intended purpose.

Intellectual property rights

Axis AB has intellectual property rights relating to technology embodied in the product described in this document. In particular, and without limitation, these intellectual property rights may include one or more of the patents listed at www.axis.com/patent.htm and one or more additional patents or pending patent applications in the US and other countries.

Equipment modifications

This equipment must be installed and used in strict accordance with the instructions given in the user documentation. This equipment contains no user-serviceable components. Unauthorized equipment changes or modifications will invalidate all applicable regulatory certifications and approvals.

Trademark acknowledgments

AXIS COMMUNICATIONS, AXIS and VAPIX are registered trademarks or trademark applications of Axis AB in various jurisdictions. All other company names and products are trademarks or registered trademarks of their respective companies.

Regulatory information

Europe

CE This product complies with the applicable CE marking directives and harmonized standards:

- Electromagnetic Compatibility (EMC) Directive 2014/30/EU. See *Electromagnetic compatibility (EMC) 4*.
- Low Voltage (LVD) Directive 2014/35/EU. See *Safety 4*.
- Restrictions of Hazardous Substances (RoHS) Directive 2011/65/EU. See *Disposal and recycling 5*.

A copy of the original declaration of conformity may be obtained from Axis Communications AB. See *Contact information 5*.

Electromagnetic compatibility (EMC)

This equipment has been designed and tested to fulfill applicable standards for:

- Radio frequency emission when installed according to the instructions and used in its intended environment.

- Immunity to electrical and electromagnetic phenomena when installed according to the instructions and used in its intended environment.

USA

This equipment has been tested and found to comply with the limits for a Class A digital device, pursuant to part 15 of the FCC Rules. These limits are designed to provide reasonable protection against harmful interference when the equipment is operated in a commercial environment. This equipment generates, uses, and can radiate radio frequency energy and, if not installed and used in accordance with the instruction manual, may cause harmful interference to radio communications. Operation of this equipment in a residential area is likely to cause harmful interference in which case the user will be required to correct the interference at his own expense. The product shall be properly grounded.

Canada

This digital apparatus complies with CAN ICES-3 (Class A). The product shall be properly grounded. Cet appareil numérique est conforme à la norme NMB ICES-3 (classe A). Le produit doit être correctement mis à la terre.

Europe

This digital equipment fulfills the requirements for RF emission according to the Class A limit of EN 55032. The product shall be properly grounded. Notice! This is a Class A product. In a domestic environment this product may cause RF interference, in which case the user may be required to take adequate measures.

This product fulfills the requirements for emission and immunity according to EN 50121-4 and IEC 62236-4 railway applications.

This product fulfills the requirements for immunity according to EN 61000-6-1 residential, commercial and light-industrial environments.

This product fulfills the requirements for immunity according to EN 61000-6-2 industrial environments.

This product fulfills the requirements for immunity according to EN 55024 office and commercial environments

This product fulfills the requirements for immunity according to EN 50130-4 residential, commercial, light-industrial and industrial environments.

Australia/New Zealand

This digital equipment fulfills the requirements for RF emission according to the Class A limit of AS/NZS CISPR 32. The product shall be properly grounded. Notice! This is a Class A product. In a domestic environment this product may cause RF interference, in which case the user may be required to take adequate measures.

Japan

この装置は、クラスA情報技術装置です。この装置を家庭環境で使用すると電波妨害を引き起こすことがあります。この場合には使用者が適切な対策を講ずるよう要求されることがあります。本製品は、適切に接地してください。

This product complies with IEC/EN/UL 62368-1, safety of audio/video and IT equipment, and IEC/EN/UL 60950-22, Safety of Information Technology Equipment.

Safety

This product complies with EN 60598-1 Luminaire - General requirements and tests.

Photobiological safety

This product fulfills the requirements for photobiological safety according to IEC/EN 62471 (risk group 2).

Disposal and recycling

When this product has reached the end of its useful life, dispose of it according to local laws and regulations. For information about your nearest designated collection point, contact your local authority responsible for waste disposal. In accordance with local legislation, penalties may be applicable for incorrect disposal of this waste.

Europe



This symbol means that the product shall not be disposed of together with household or commercial waste. Directive 2012/19/EU on waste electrical and electronic equipment (WEEE) is applicable in the European Union member states. To prevent potential harm to human health and the environment, the product must be disposed of in an approved and environmentally safe recycling process. For information about your nearest designated collection point, contact your local authority responsible for waste disposal. Businesses should contact the product supplier for information about how to dispose of this product correctly.

This product complies with the requirements of Directive 2011/65/EU on the restriction of the use of certain hazardous substances in electrical and electronic equipment (RoHS).

China



This product complies with the requirements of SJ/T 11364-2014, Marking for the restriction of hazardous substances in electrical and electronic products.

Warranty information

For information about Axis' product warranty and thereto related information, go to www.axis.com/warranty/

Support

Should you require any technical assistance, please contact your Axis reseller. If your questions cannot be answered immediately, your reseller will forward your queries through the appropriate channels to ensure a rapid response. If you are connected to the Internet, you can:

- find answers to resolved problems in the FAQ database. Search by product, category, or phrase
- report problems to Axis support staff by logging in to your private support area
- chat with Axis support staff
- visit Axis Support at www.axis.com/support

Learn more!

Visit Axis learning center www.axis.com/academy/ for useful trainings, webinars, tutorials and guides.

有毒有害物质或元素						
部件名称	铅 (Pb)	汞 (Hg)	镉 (Cd)	六价铬 (Cr-(VI))	多溴联苯 (PB-B)	多溴二苯醚 (PB-DE)
电气实装部分	X	0	0	0	0	0

0: 表示该有毒有害物质在该部件所有均质材料中的含量均在GB/T 26572标准规定的限量要求以下。
X: 表示该有毒有害物质至少在该部件的某一均质材料中的含量超出GB/T 26572标准规定的限量要求。

Contact information

Axis Communications AB
Emdalavägen 14
223 69 Lund
Sweden

Tel: +46 46 272 18 00
Fax: +46 46 13 61 30

www.axis.com

Safety information

Hazard levels

⚠DANGER

Indicates a hazardous situation which, if not avoided, will result in death or serious injury.

⚠WARNING

Indicates a hazardous situation which, if not avoided, could result in death or serious injury.

⚠CAUTION

Indicates a hazardous situation which, if not avoided, could result in minor or moderate injury.

NOTICE

Indicates a situation which, if not avoided, could result in damage to property.

Other message levels

Important

Indicates significant information which is essential for the product to function correctly.

Note

Indicates useful information which helps in getting the most out of the product.

AXIS PT IR Illuminator Kit C

Safety instructions

▲WARNING

The Axis product shall be installed by a trained professional, and in compliance with local laws and regulations.

▲WARNING

IR emitted from this product. Do not stare at operating lamp.

NOTICE

- The Axis product shall be used in compliance with local laws and regulations.
- Store the Axis product in a dry and ventilated environment.
- Avoid exposing the Axis product to shocks or heavy pressure.
- Do not install the product on unstable poles, brackets, surfaces or walls.
- Use only applicable tools when installing the Axis product. Using excessive force with power tools could cause damage to the product.
- Do not use chemicals, caustic agents, or aerosol cleaners.
- Use a clean cloth dampened with pure water for cleaning.
- Use only accessories that comply with the technical specification of your product. These can be provided by Axis or a third party. Axis recommends using Axis power source equipment compatible with your product.
- Use only spare parts provided by or recommended by Axis.
- Do not attempt to repair the product yourself. Contact Axis support or your Axis reseller for service matters.

Transportation

NOTICE

- When transporting the Axis product, use the original packaging or equivalent to prevent damage to the product.

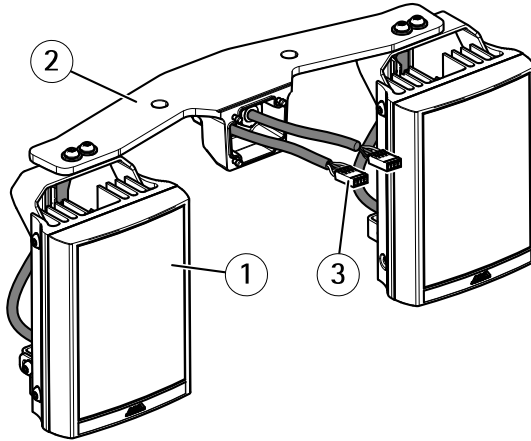
Package contents

- Illuminator (x2)
- Illuminator connector (x2)
- Screw (M6, x4)
- Washer (x4)
- Cable tie (x2)

AXIS PT IR Illuminator Kit C

Hardware overview

For specifications of the hardware components, see *Technical specifications* on page 16.



- 1 Illuminator (x2)
- 2 Illuminator bracket
- 3 Illuminator connector (x2)

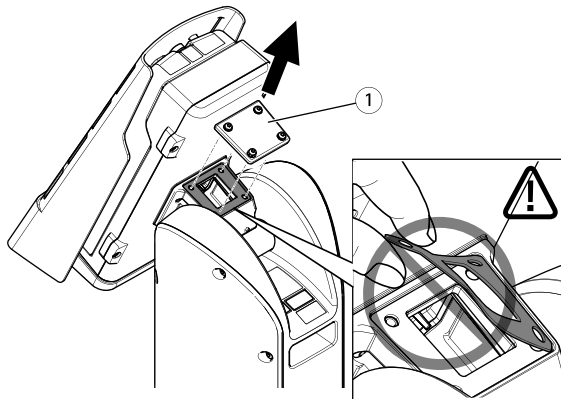
How to install the product

▲WARNING

- Risk of electric shock. Make sure the power supply is disconnected.
- Emission of light from the illuminators (risk group 2) can be harmful for eyes. Pay attention to the provided indications. To reduce the risk of eye damage, avoid eye exposure, and use appropriate shielding or eye protection at distances of less than 1.5 m (4.9 ft).

▲CAUTION

During normal operation, the surface of the illuminator can reach high temperatures. Do not allow direct contact and position the appliance where it is inaccessible to unauthorized personnel. Before touching, switch off the illuminator and allow to cool for a minimum period of 10 minutes.



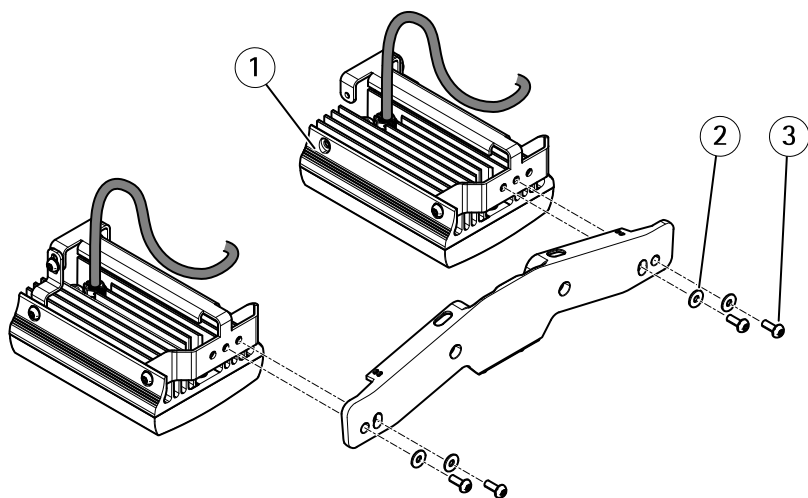
1 Tilt unit cover

1. Unscrew the four tilt unit cover screws (T20) and remove the tilt unit cover.

Important

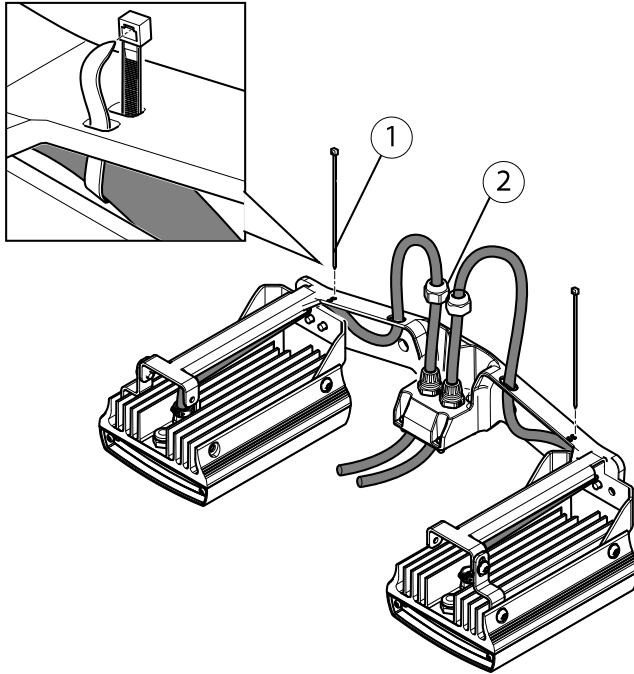
Make sure that the gasket under the tilt unit cover remains in place.

AXIS PT IR Illuminator Kit C



- 1 Illuminator (x2)
- 3 Washer (x4)
- 4 Screw (M6, x4)

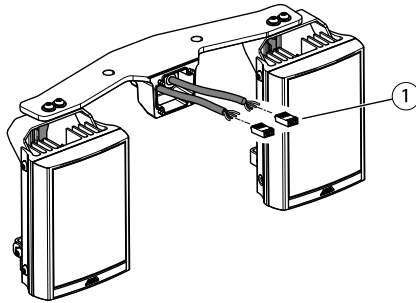
2. Attach the illuminators to the illuminator bracket using the four screws.



- 1 Cable tie (x2)
- 2 Cap nut (x2)

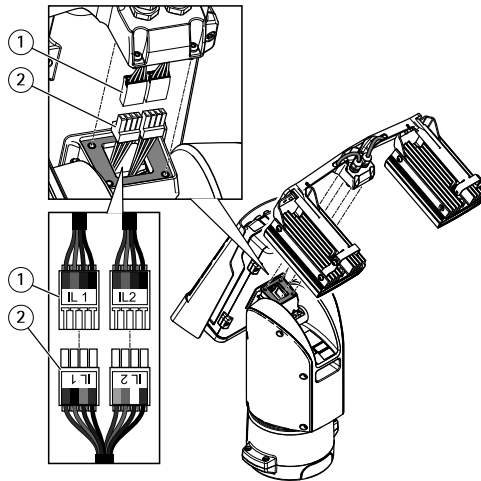
3. Route the cables as shown in the illustration above and tighten the cap nuts (torque 1.5 Nm).
4. Strap the cables to the illuminator bracket using cable ties.

AXIS PT IR Illuminator Kit C



1 Illuminator connector (x2)

5. Install the connectors. See *Connectors* on page 16.



1 Connector from the illuminator (x2)
2 Connector from the positioning unit (x2)

6. Connect the cables. See *Connectors* on page 16.

7. Attach the illuminator bracket to the tilt unit using the four screws (T20, torque 3.0 Nm).

Note

For more information on operating the illuminators, see the illuminator LED manual (check model on product label) and the User Manual of your compatible Axis product at www.axis.com

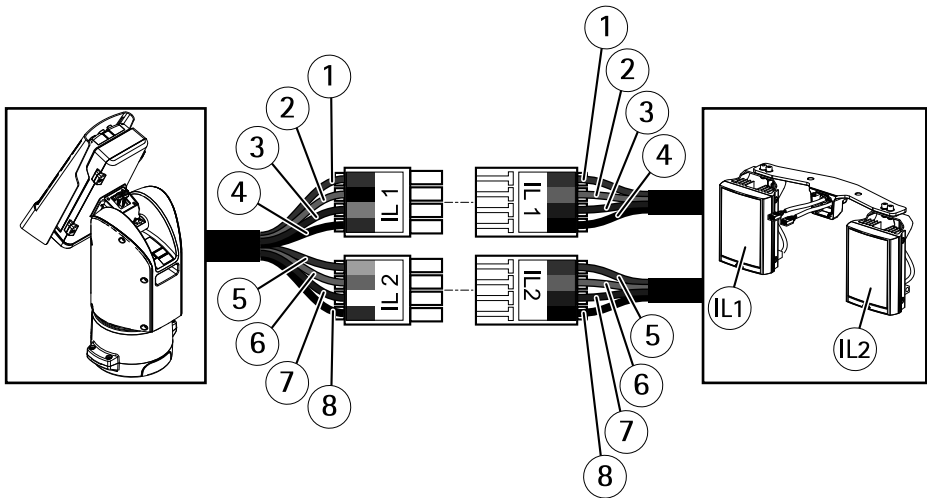
AXIS PT IR Illuminator Kit C

Technical specifications

You can find the latest version of the datasheet at www.axis.com

Connectors

Illuminator connectors



	Position	Cable color (pan/tilt unit)	Cable color (illuminators)	Description
IL1	1	Red	Red	+24V IL
	2	Black	Orange	IL1 +VE
	3	Gray	Purple	IL1 -VE
	4	Blue	Black	GND
IL2	5	Yellow	Red	+24V IL
	6	Orange	Orange	IL2 +VE
	7	White	Purple	IL2 -VE
	8	Green	Black	GND

Operating conditions

The Axis product is intended for indoor and outdoor use.

Classification	Temperature	Humidity
IEC/EN 60529 IP66 and IP67, ISO 4892-2 method A, cycle 1 (3000 hrs), Type 4X of NEMA 250, Vibration: Class 4M4 IEC 60721-3-4, Shock: Class 4M4 IEC 60721-3-4, Delimitations: 4M4 IEC TR 60721-4-4	Operation: -50 °C to 60 °C (-58 °F to 140 °F) Cold start: -40 °C to 60 °C (-40 °F to 140 °F)	10–100% RH (non-condensing)

Power consumption

Product	Input voltage	Maximum light / standby mode*
AXIS PT IR Illuminator Kit C	12–24 V AC/DC	96 W / 0.30 W

NOTICE

*Values given are for two illuminators per kit.

Informations sur la sécurité

Niveaux de risques

▲DANGER

Indique une situation dangereuse qui, si elle n'est pas évitée, entraînera le décès ou des blessures graves.

▲AVERTISSEMENT

Indique une situation dangereuse qui, si elle n'est pas évitée, pourrait entraîner le décès ou des blessures graves.

▲ATTENTION

Indique une situation dangereuse qui, si elle n'est pas évitée, pourrait entraîner des blessures légères ou modérées.

AVIS

Indique une situation qui, si elle n'est pas évitée, pourrait endommager l'appareil.

Autres niveaux de message

Important

Indique les informations importantes, nécessaires pour assurer le bon fonctionnement de l'appareil.

Note

Indique les informations utiles qui permettront d'obtenir le fonctionnement optimal de l'appareil.

Consignes de sécurité

▲AVERTISSEMENT

Le produit Axis doit être installé par un professionnel qualifié et conformément aux lois et réglementations locales en vigueur.

▲AVERTISSEMENT

Ce produit émet un éclairage IR. Ne jamais fixer la lampe en fonctionnement.

AVIS

- Le produit Axis doit être utilisé conformément aux lois et réglementations locales en vigueur.
- Conserver ce produit Axis dans un environnement sec et ventilé.
- Ne pas exposer ce produit Axis aux chocs ou aux fortes pressions.
- Ne pas installer ce produit sur des poteaux, supports, surfaces ou murs instables.
- Utiliser uniquement des outils recommandés pour l'installation de l'appareil Axis. L'application d'une force excessive sur l'appareil avec des outils puissants pourrait l'endommager.
- Ne pas utiliser de produits chimiques, de substances caustiques ou de nettoyeurs pressurisés.
- Utiliser un chiffon propre imbibé d'eau pure pour le nettoyage.
- Utiliser uniquement des accessoires conformes aux caractéristiques techniques de votre produit. Ils peuvent être fournis par Axis ou un tiers. Axis recommande d'utiliser un équipement d'alimentation Axis compatible avec votre produit.
- Utiliser uniquement les pièces de rechange fournies ou recommandées par Axis.
- Ne pas essayer de réparer vous-même ce produit. Contacter l'assistance technique d'Axis ou votre revendeur Axis pour des problèmes liés à l'entretien.

Transport

AVIS

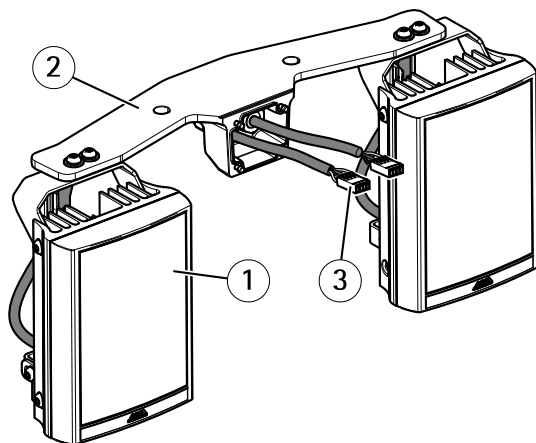
- Lors du transport du produit Axis, utilisez l'emballage d'origine ou un équivalent pour éviter d'endommager le produit.

Contenu de l'emballage

- Illuminateur (x2)
- Connecteur d'illuminateur (x2)
- Vis (M6, x4)
- Rondelle (x4)
- Frette de câbles (x2)

Aperçu du matériel

Pour connaître les caractéristiques des composants matériels, consultez *Caractéristiques techniques* page 28.



- 1 *Illuminateur (x2)*
- 2 *Support d'illuminateur*
- 3 *Connecteur d'illuminateur (x2)*

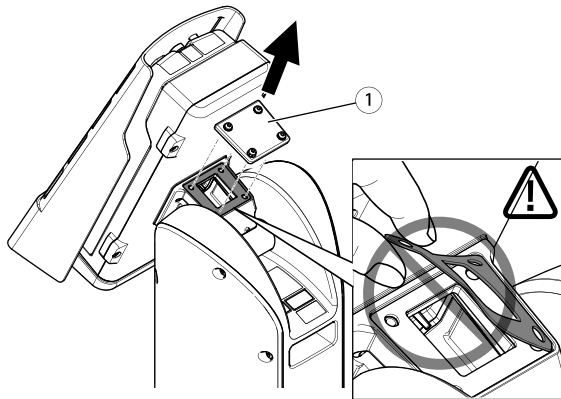
Comment installer le produit

⚠️ AVERTISSEMENT

- Risque de choc électrique. Assurez-vous que l'alimentation est débranchée.
- L'émission de lumière des projecteurs (groupe de risque 2) peut être dangereuse pour les yeux. Suivez attentivement les recommandations. Pour éviter le risque de lésions oculaires, évitez toute exposition prolongée des yeux et utilisez un dispositif de protection ou une protection pour les yeux pour les distances inférieures à 1,5 m (4,9 pi).

⚠️ ATTENTION

En fonctionnement normal, il est possible que la surface de l'éclairage atteignent des températures élevées. Évitez tout contact direct et placez l'appareil à un endroit inaccessible au personnel non autorisé. Avant de le toucher, mettez l'éclairage hors tension et laissez-le refroidir pendant au moins 10 minutes.



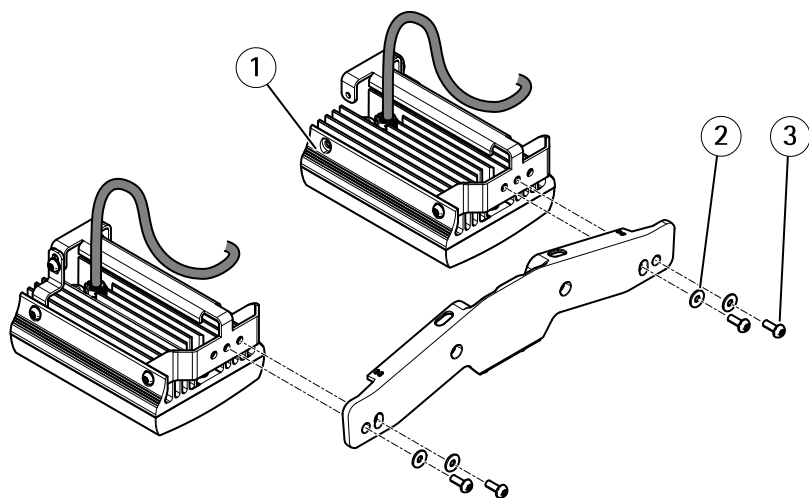
1 Couverture d'unité d'inclinaison

1. Dévissez les quatre vis du couvercle de l'unité d'inclinaison (T20) et retirez le couvercle de l'unité d'inclinaison.

Important

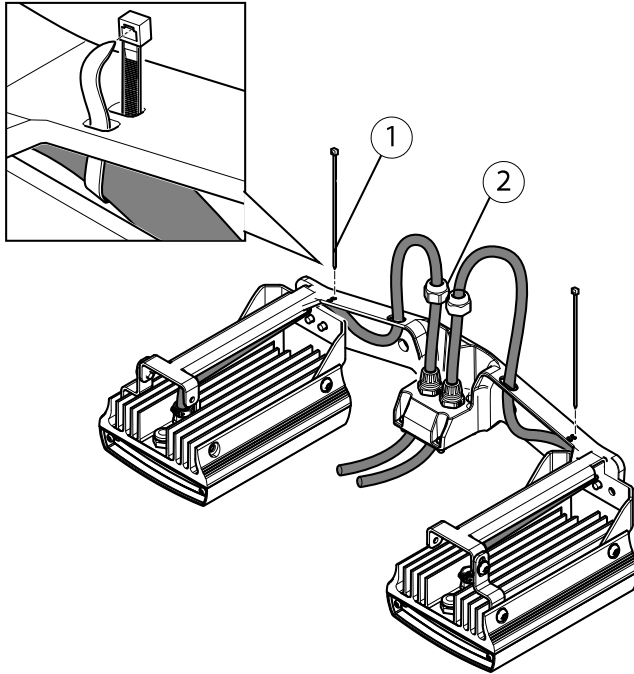
Assurez-vous que le joint sous le couvercle de l'unité d'inclinaison reste en place.

AXIS PT IR Illuminator Kit C



- 1 *Illuminateur (x2)*
- 3 *Rondelle (x4)*
- 4 *Vis (M6, x4)*

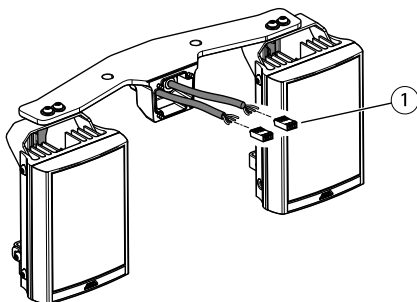
2. Fixez les illuminateurs au support d'illuminateurs à l'aide des quatre vis.



- 1 Frette de câbles (x2)
- 2 Écrou borgne (x2)

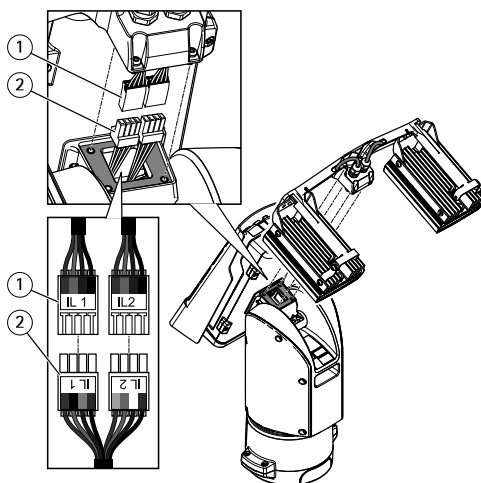
- 3. Acheminez les câbles comme indiqué dans l'illustration ci-dessus et serrez les écrous borgne (couple de serrage 1,5 Nm).
- 4. Attachez les câbles au support d'illuminateurs à l'aide des attaches de câble.

AXIS PT IR Illuminator Kit C



1 Connecteur d'illuminateur (x2)

5. Installez les connecteurs. Cf. *Connecteurs* page 28.



1 Connecteur de l'illuminateur (x2)

2 Connecteur de l'unité de positionnement (x2)

6. Branchez les câbles. Cf. *Connecteurs* page 28.

7. Fixez le support d'illuminateurs à l'unité d'inclinaison à l'aide des quatre vis (T20, couple de serrage 3,0 Nm).

Note

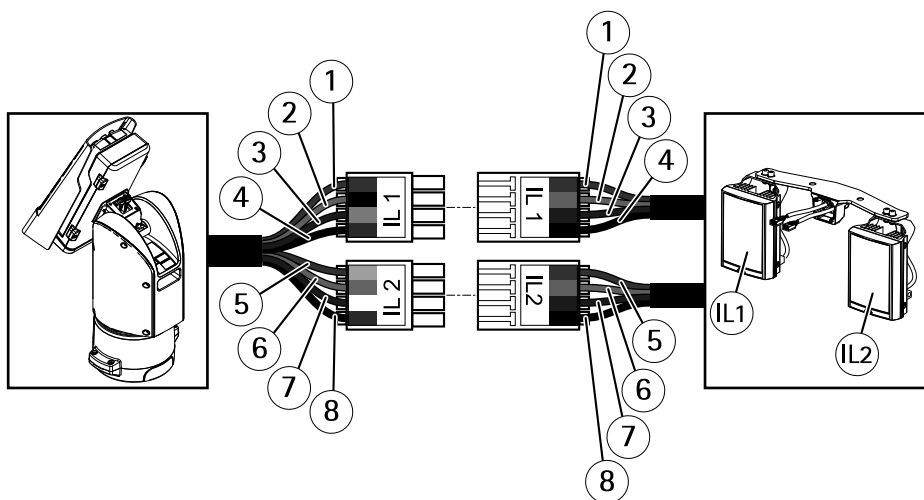
Pour en savoir plus sur le fonctionnement des illuminateurs, reportez-vous au Manuel LED illuminateur (vérifiez le modèle sur l'étiquette du produit) et au manuel de l'utilisateur de votre produit Axis compatible sur www.axis.com

Caractéristiques techniques

Vous pouvez obtenir la dernière version de la fiche technique sur www.axis.com

Connecteurs

Connecteurs d'illuminateur



	Position	Couleur du câble (unité de panorama/inclinaison)	Couleur du câble (projecteurs)	Description
IL1	1	Rouge	Rouge	+24V IL
	2	noir	Orange	IL1 +VE
	3	Gris	Violet	IL1 -VE
	4	Bleu	Noir	Terre
IL2	5	Jaune	Rouge	+24 V IL
	6	Orange	Orange	IL2 +VE
	7	Blanc	Violet	IL2 -VE
	8	Vert	Noir	Terre

Conditions d'utilisation

Le produit Axis est destiné à un usage en intérieur et en extérieur.

Classification	Température	Humidité
IEC/EN 60529 IP66 and IP67, ISO 4892-2 méthode A, cycle 1 (3 000 h), Type 4X de NEMA 250, Vibrations : Classe 4M4 IEC 60721-3-4, Chocs : Classe 4M4 IEC 60721-3-4, Délimitations : 4M4 IEC TR 60721-4-4	Fonctionnement : de -50°C à 60°C (-58°F à 140°F) Démarrage à froid : De -40°C à 60°C (-40°F à 140°F)	10 à 100 % d'humidité relative (sans condensation)

Consommation d'énergie

Produit	Tension d'entrée	Lumière maximale / mode de veille*
Kit d'éclairage infrarouge PT IR AXIS	12-24 V CA/CC	96 W / 0,30 W

AVIS

*les valeurs indiquées sont pour deux illuminateurs par kit.

Sicherheitsinformationen

Gefährdungsstufen

▲GEFAHR

Weist auf eine gefährliche Situation hin, welche zum Tod oder zu schweren Verletzungen führt.

▲WARNUNG

Weist auf eine gefährliche Situation hin, welche, falls nicht verhindert, zu Tod oder schweren Verletzungen führen kann.

▲VORSICHT

Weist auf eine gefährliche Situation hin, welche, falls nicht verhindert, zu geringfügiger oder mäßiger Verletzung führen kann.

HINWEIS

Weist auf eine gefährliche Situation hin, welche, falls nicht verhindert, zu Sachschäden führen kann.

Weitere Nachrichtenstufen

Wichtig

Weist auf wichtige Informationen hin, die den richtigen Betrieb des Produkts gewährleisten.

Beachten

Weist auf nützliche Informationen hin, die die optimale Verwendung des Produkts unterstützen.

Sicherheitsanweisungen

▲WARNUNG

Das Axis Produkt muss von fachmännischem Personal und unter Einhaltung der örtlich geltenden Bestimmungen installiert werden.

▲WARNUNG

Von diesem Produkt geht IR-Strahlung aus. Sehen Sie nicht länger in die Leuchte, während diese in Betrieb ist.

HINWEIS

- Das Axis Produkt muss unter Beachtung der örtlich geltenden Gesetze und Bestimmungen benutzt werden.
- Lagern Sie das Axis Produkt in einer trockenen und belüfteten Umgebung.
- Achten Sie darauf, dass das Axis Produkt weder Stößen noch starkem Druck ausgesetzt ist.
- Installieren Sie das Produkt nicht an instabilen Masten, Halterungen, Oberflächen oder Wänden.
- Verwenden Sie bei der Installation des Axis Produkts ausschließlich passende Werkzeuge. Ein zu großer Kraftaufwand mit elektrischen Werkzeugen kann das Produkt beschädigen.
- Verwenden Sie keine chemischen, ätzenden oder aerosolhaltigen Reinigungsmittel.
- Verwenden Sie zum Reinigen ein sauberes, mit destilliertem Wasser angefeuchtetes Tuch.
- Verwenden Sie nur Zubehör, das den technischen Vorgaben Ihres Produkts entspricht. Dieses ist von Axis oder Drittanbietern erhältlich. Axis empfiehlt die mit Ihrem Produkt kompatible Stromversorgung von Axis.
- Verwenden Sie ausschließlich Ersatzteile die von Axis angeboten oder empfohlen werden.
- Versuchen Sie nicht, dieses Produkt selbsttätig zu reparieren. Wenden Sie sich bezüglich Reparatur und Wartung an den Axis Support oder Ihren Axis Händler.

Transport

HINWEIS

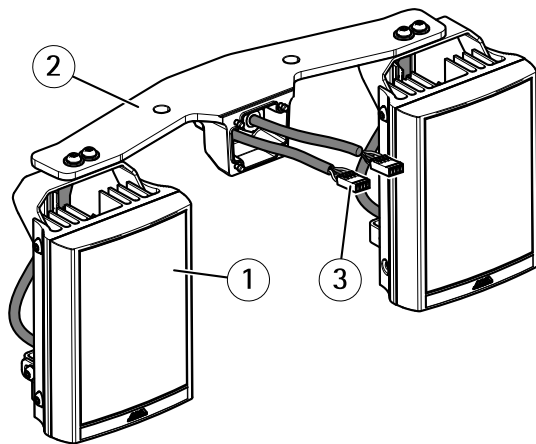
- Bei Bedarf transportieren Sie das Axis Produkt in der Originalverpackung oder einer entsprechenden Verpackung, so dass Schäden vermieden werden.

Lieferumfang

- Strahler (2 x)
- Strahleranschlüsse (2 x)
- Schrauben (M6, 4 x)
- Unterlegscheiben (4 x)
- Kabelbinder (4 x)

Übersicht über die Hardware

Die technischen Daten für Hardwarekomponenten finden Sie unter *Technische Daten auf Seite 40*.



- 1 Strahler (2 x)
- 2 Strahlerhalterung
- 3 Strahleranschlüsse (2 x)

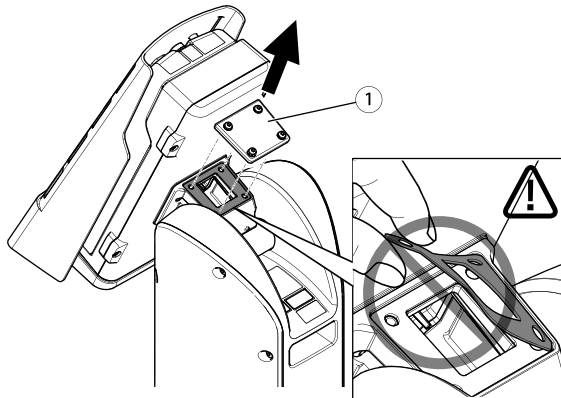
Installieren des Produkts

⚠️ WARNUNG

- Stromschlaggefahr Sicherstellen, dass das Stromversorgungskabel abgeklemmt ist.
- Von der Strahlern ausgehende Lichtemissionen (Risikogruppe 2) können die Augen schädigen. Auf die angegebenen Hinweise achten. Das Risiko von Augenschäden reduzieren. Deshalb nicht in die Strahlungsquelle blicken und bei Abständen von weniger als 1,5 m eine geeignete Abschirmung oder einen geeigneten Augenschutz verwenden.

⚠️ VORSICHT

Die Strahler werden im normalen Betrieb heiß. Berühren Sie die Leuchten nicht. Platzieren Sie das Gerät so, dass kein Zugang für nicht autorisierte Personen besteht. Vor dem Berühren der Strahler diese ausschalten und mindestens 10 Minuten abkühlen lassen.



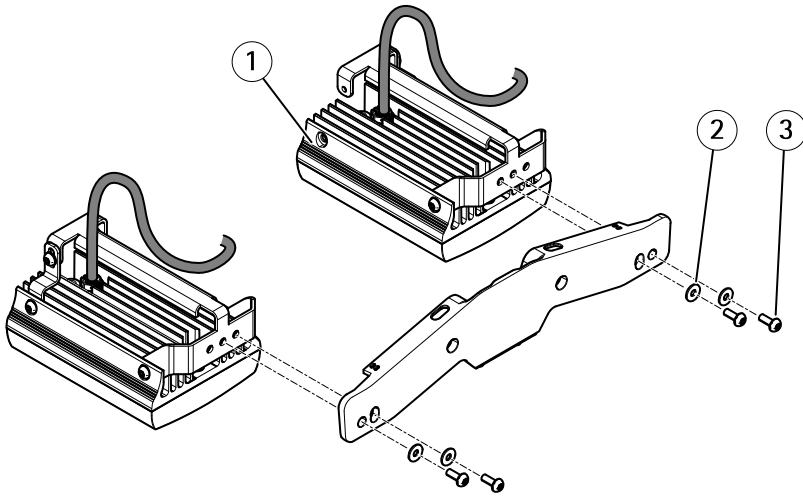
1 Abdeckung des Neigemoduls

1. Die vier Schrauben (T20) der Abdeckung des Neigemoduls entfernen und dann die Abdeckung abnehmen.

Wichtig

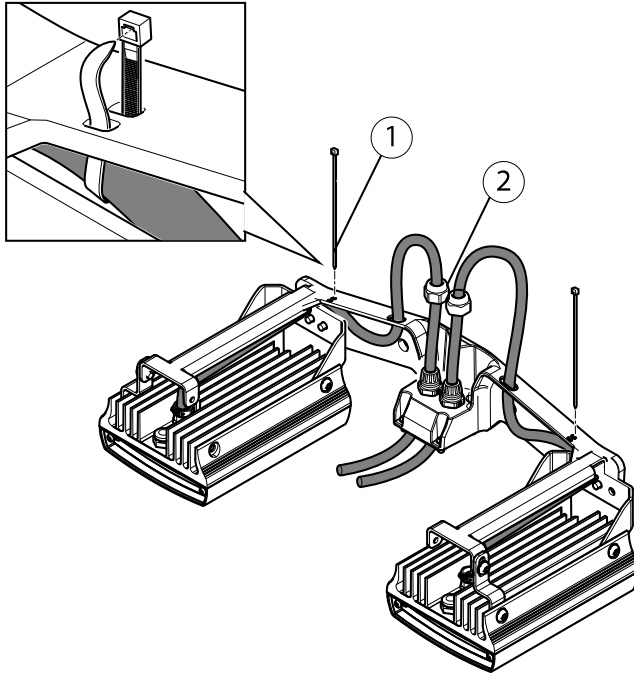
Sicherstellen, dass die Dichtung unter der Abdeckung des Neigemoduls in Einbaulage verbleibt.

AXIS PT IR Illuminator Kit C



- 1 Strahler (2 x)
- 3 Unterlegscheiben (4 x)
- 4 Schrauben (M6, 4 x)

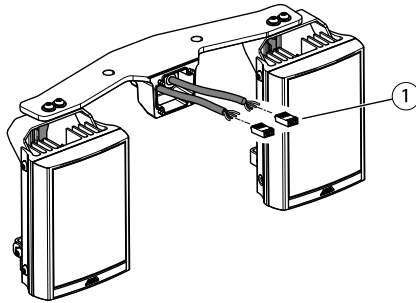
2. Die Strahler mit den vier Schrauben an den Halterungen befestigen.



- 1 Kabelbinder (4 x)
- 2 Hutmuttern (2 x)

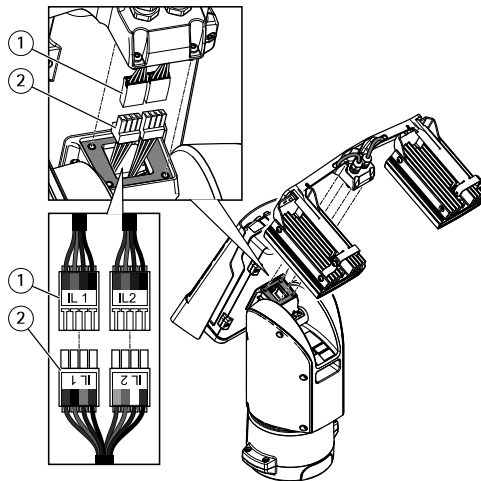
3. Die Kabel laut der Abbildung oben verlegen. Dann die Hutmuttern mit einem Drehmoment von 1.5 Nm anziehen.
4. Die Strahlerkabel mithilfe von Kabelbindern an den Halterung befestigen.

AXIS PT IR Illuminator Kit C



1 Strahleranschlüsse (2 x)

5. Die Anschlüsse anbringen. Siehe *Anschlüsse auf Seite 40*.



1 Anschlüsse vom Strahler (2 x)
2 Anschlüsse von der Stelleinheit (2 x)

6. Die Kabel anschließen. Siehe *Anschlüsse auf Seite 40*
7. Die Strahlerhalterung mit den vier Schrauben (T20, Drehmoment 3,0 Nm) am Neigemodul befestigen.

Beachten

Für weitere Informationen zum Betreiben der Strahler, siehe das Handbuch LED-Strahler (Modellangabe auf dem Typenschild beachten) und das Benutzerhandbuch Ihres kompatiblen Axis-Produkts auf www.axis.com

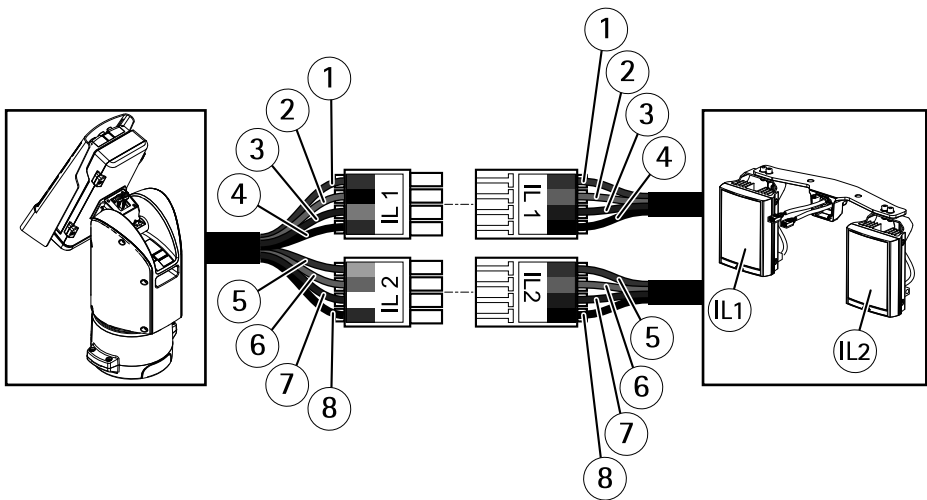
AXIS PT IR Illuminator Kit C

Technische Daten

Die aktuelle Version der technischen Kenndaten finden Sie auf www.axis.com.

Anschlüsse

Strahleranschlüsse



	Position	Kabelfarbe (Schwenk-/Neigemodul)	Kabelfarbe (Strahler)	Beschreibung
IL1	1	Rot	Rot	+24 V IL
	2	Schwarz	Orange	IL1 +VE
	3	Grau	Violett	IL1 -VE
	4	Blau	Schwarz	GND
IL2	5	Gelb	Rot	+24 V IL
	6	Orange	Orange	IL2 +VE
	7	Weiß	Violett	IL2 -VE
	8	Grün	Schwarz	GND

Betriebsbedingungen

Das Axis-Produkt ist für die Verwendung im Innen- und Außenbereich ausgelegt.

Klassifizierung	Temperatur	Luftfeuchtigkeit
IEC/EN 60529 IP66 und IP67, ISO 4892-2 Verfahren A, Zyklus 1 (3000 Stunden), Typ 4X von NEMA 250, Vibration: Klasse 4M4 IEC 60721-3-4, Stoß: Klasse 4M4 IEC 60721-3-4, Abgrenzungen: 4M4 IEC TR 60721-4-4	Betrieb: -50 °C bis +60 °C Kaltstart: -40 °C bis +60 °C	Relative Luftfeuchtigkeit 10 bis 100 % (nicht kondensierend)

Leistungsaufnahme

Produkt	Eingangsspannung	Maximales Licht / Standby-Modus*
Strahlersatz C AXIS PT IR	12 bis 24 V Wechselstrom/ Gleichstrom	96 W / 0,30 W

HINWEIS

* Werte für zwei Strahler pro Satz

Informazioni di sicurezza

Livelli di pericolo

▲PERICOLO

Indica una situazione pericolosa che, se non evitata, provoca morte o lesioni gravi.

▲AVVERTENZA

Indica una situazione pericolosa che, se non evitata, potrebbe provocare la morte o lesioni gravi.

▲ATTENZIONE

Indica una situazione pericolosa che, se non evitata, potrebbe provocare lesioni medie o minori.

AWISO

Indica una situazione che, se non evitata, potrebbe danneggiare la proprietà.

Altri livelli di messaggio

Importante

Indica informazioni importanti, essenziali per il corretto funzionamento del dispositivo.

Nota

Indica informazioni utili che aiutano a ottenere il massimo dal dispositivo.

Informazioni di sicurezza

▲AVVERTENZA

Il dispositivo Axis deve essere installato da un professionista qualificato, in conformità alle leggi e alle disposizioni locali.

▲AVVERTENZA

Questo prodotto emette raggi a infrarossi. Non fissare la lampada accesa.

AWISO

- Il dispositivo Axis deve essere utilizzato in conformità alle leggi e alle disposizioni locali.
- Conservare il dispositivo Axis in un ambiente asciutto e ventilato.
- Evitare di esporre il dispositivo Axis a urti o pressioni eccessive.
- Non installare il dispositivo su supporti, superfici, pareti o pali instabili.
- Utilizzare solo strumenti applicabili quando si installa il dispositivo Axis. Se si utilizza una forza eccessiva con strumenti non adatti è possibile causare danni al dispositivo.
- Non utilizzare sostanze chimiche, agenti caustici o detergenti aerosol.
- Utilizzare un panno pulito inumidito in acqua pura per la pulizia.
- Utilizzare solo accessori compatibili con le specifiche tecniche del dispositivo. Questi possono essere forniti da Axis o da terze parti. Axis consiglia l'uso dell'apparecchiatura di alimentazione Axis compatibile con il dispositivo.
- Utilizzare solo parti di ricambio fornite o consigliate da Axis.
- Non tentare di riparare il dispositivo da soli. Contattare l'assistenza o il rivenditore Axis per questioni relative alla manutenzione.

Trasporto

AWISO

- Durante il trasporto del dispositivo Axis, utilizzare l'imballaggio originale o equivalente per evitare danni al dispositivo.

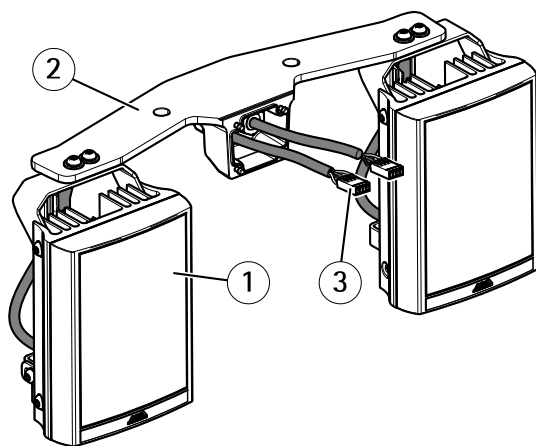
Contenuto della confezione

- Illuminatore (x2)
- Connettore illuminatore (x2)
- Vite (M6, x4)
- Rondella (x4)
- Fascetta (x2)

AXIS PT IR Illuminator Kit C

Panoramica dell'hardware

Per le specifiche dei componenti hardware, vedere *Specifiche tecniche alla pagina 52*.



- 1 Illuminatore (x2)
- 2 Staffa illuminatore
- 3 Connettore illuminatore (x2)

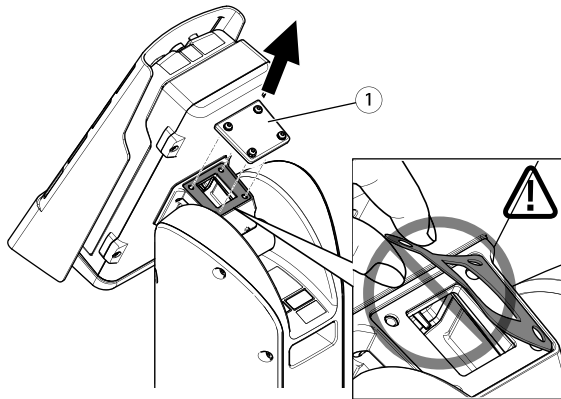
Come installare il dispositivo

⚠AVVERTENZA

- Rischio di scosse elettriche. Assicurarsi che l'alimentazione sia scollegata.
- Emissione di luce dagli illuminatori (gruppo di rischio 2) che può essere dannosa per gli occhi. Prestare attenzione alle indicazioni fornite. Per ridurre il rischio di danni agli occhi, evitare di guardarlo a lungo e utilizzare adeguate protezioni per gli occhi quando ci si trova a distanze inferiori a 1,5 m.

⚠ATTENZIONE

Durante il normale funzionamento, la superficie dell'illuminatore può raggiungere temperature elevate. Evitare il contatto diretto e posizionare l'apparecchio in un luogo inaccessibile a persone non autorizzate. Prima di toccarlo, spegnere l'illuminatore e lasciarlo raffreddare per almeno 10 minuti.



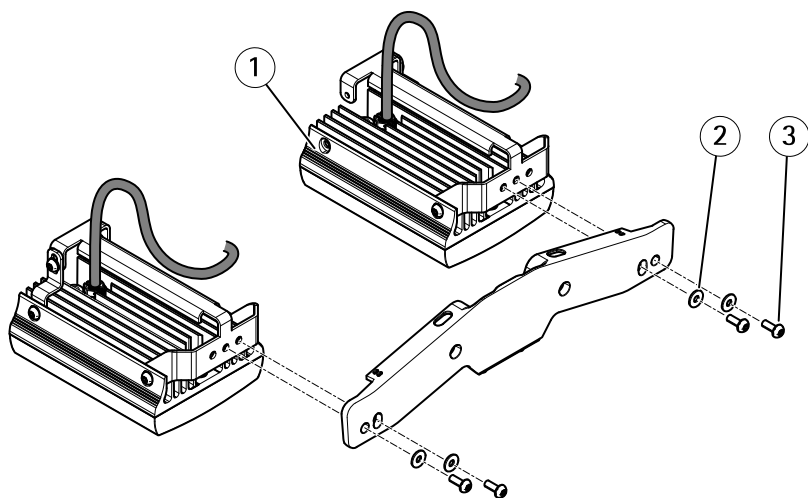
1 Coperchio dell'unità di rotazione

1. Allentare le quattro viti del coperchio dell'unità di rotazione (T20) e rimuoverlo.

Importante

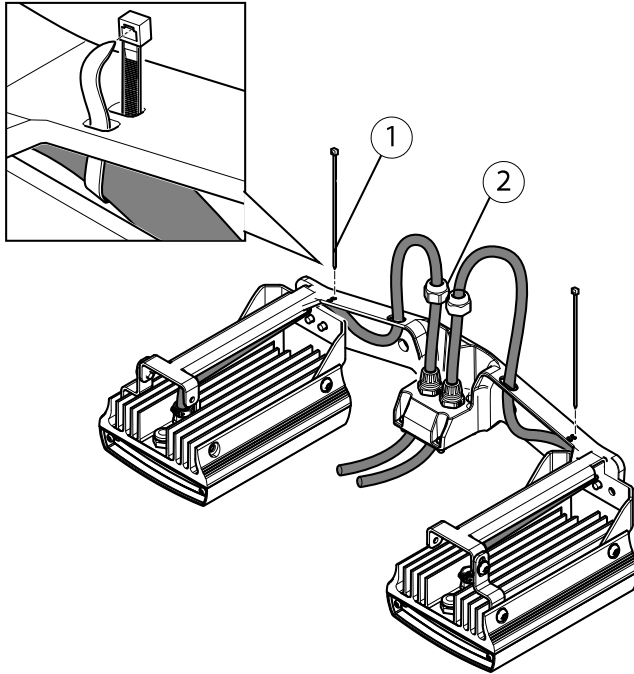
Assicurarsi che la guarnizione sotto il coperchio dell'unità di rotazione rimanga in posizione.

AXIS PT IR Illuminator Kit C



- 1 *Illuminatore (x2)*
- 3 *Rondella (x4)*
- 4 *Vite (M6, x4)*

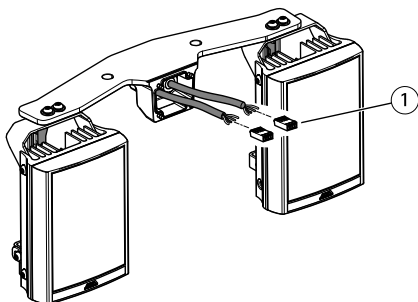
2. Fissare gli illuminatori alla staffa dell'illuminatore utilizzando le quattro viti.



- 1 Fascetta (x2)
- 2 Dado (x2)

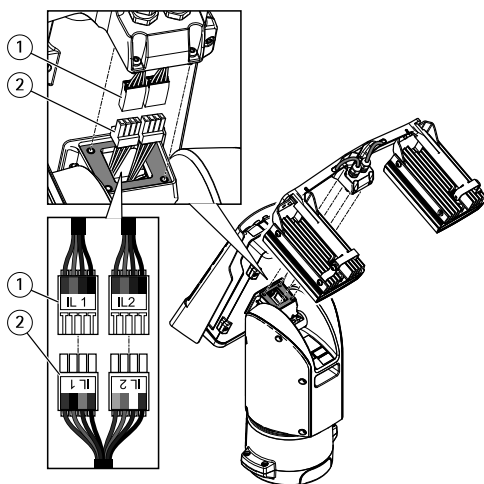
- 3. Instradare i cavi come mostrato nell'illustrazione sopra riportata e stringere i dadi (coppia da 1,5 Nm).
- 4. Fissare i cavi alla staffa dell'illuminatore utilizzando gli appositi tiranti.

AXIS PT IR Illuminator Kit C



1 Connettore illuminatore (x2)

5. Installare i connettori. Vedere *Connettori alla pagina 52*.



1 Connettore dall'illuminatore (x2)

2 Connettore dall'unità di posizionamento (x2)

6. Collegare i cavi. Vedere *Connettori alla pagina 52*.

7. Fissare la staffa degli illuminatori all'unità di inclinazione utilizzando le quattro viti (T20, coppia da 3,0 Nm).

Nota

Per ulteriori informazioni sul funzionamento degli illuminatori, consultare il manuale del LED dell'illuminatore (controllare il modello sull'etichetta del dispositivo) e il Manuale per l'utente del dispositivo Axis compatibile all'indirizzo www.axis.com

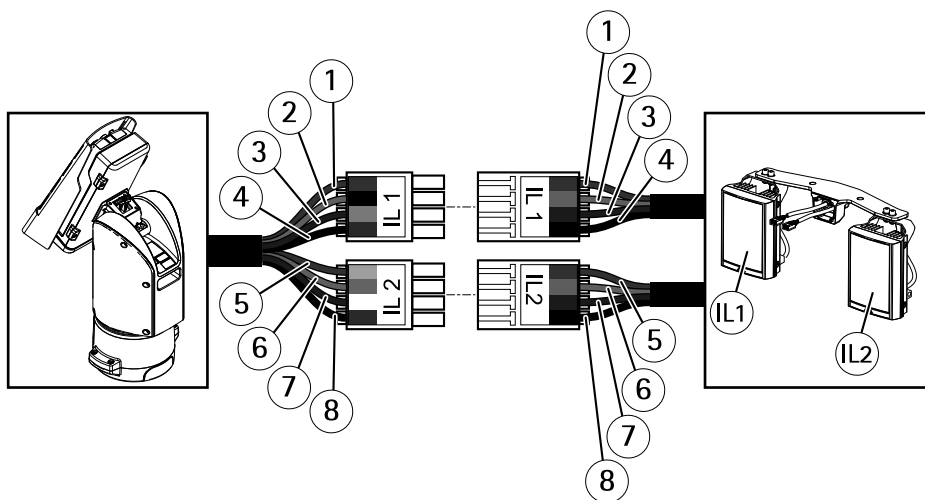
AXIS PT IR Illuminator Kit C

Specifiche tecniche

La versione più aggiornata della scheda tecnica è disponibile all'indirizzo www.axis.com

Connettori

Connettori illuminatore



	Posizione	Colore del cavo (unità di rotazione/inclinazione)	Colore del cavo (illuminatori)	Descrizione
IL1	1	Rosso	Rosso	+24V IL
	2	Nero	Arancio	IL1 +VE
	3	Grigio	Viola	IL1 -VE
	4	Blu	Nero	Con messa a terra
IL2	5	Giallo	Rosso	+24V IL
	6	Arancio	Arancio	IL2 +VE
	7	Bianco	Viola	IL2 -VE
	8	Verde	Nero	Con messa a terra

Condizioni di funzionamento

Il dispositivo Axis è destinato all'uso interno ed esterno.

Classificazione	Temperatura	Umidità
IEC/EN 60529 IP66 e IP67, ISO 4892-2 metodo A, ciclo 1 (3000 ore), Tipo 4X di NEMA 250, Vibrazione: Classe 4M4 IEC 60721-3-4, Urti: Classe 4M4 IEC 60721-3-4, Delimitazioni: 4M4 IEC TR 60721-4-4	Funzionamento: da -50 °C a 60 °C (da -58 °F a 140 °F) Avvio a freddo: da -40 °C a 60 °C (da -40 °F a 140 °F)	10-100% umidità relativa (senza condensa)

Consumo elettrico

Dispositivo	Tensione in ingresso	Luce massima/Modalità in standby*
Kit illuminatore IR PT C di AXIS	12-24 V CA/CC	96 W/0,30 W

AWISO

*I valori forniti sono per due illuminatori per kit.

Información de seguridad

Niveles de peligro

▲PELIGRO

Indica una situación peligrosa que, si no se evita, provocará lesiones graves o la muerte.

▲ADVERTENCIA

Indica una situación peligrosa que, si no se evita, puede provocar lesiones graves o la muerte.

▲ATENCIÓN

Indica una situación peligrosa que, si no se evita, puede provocar lesiones moderadas o leves.

AVISO

Indica una situación peligrosa que, si no se evita, puede provocar daños materiales.

Otros niveles de mensaje

Importante

Indica información importante que es fundamental para que el producto funcione correctamente.

Nota

Indica información útil que ayuda a aprovechar el producto al máximo.

Instrucciones de seguridad

▲ADVERTENCIA

El producto de Axis debe instalarlo un profesional formado conforme las leyes y normativas locales.

▲ADVERTENCIA

Infrarrojos emitidos por este producto. No mire fijamente al indicador de funcionamiento.

AVISO

- El producto de Axis debe utilizarse de acuerdo con las leyes y normativas locales.
- Almacene el producto de Axis en un entorno seco y ventilado.
- Evite la exposición del producto de Axis a choques o a una fuerte presión.
- No instale el producto en postes, soportes, superficies o paredes inestables.
- Utilice solo las herramientas correspondientes cuando instale el producto de Axis. La aplicación de una fuerza excesiva con herramientas eléctricas puede provocar daños en el producto.
- No utilice limpiadores en aerosol, agentes cáusticos ni productos químicos.
- Limpie con un paño limpio humedecido con agua pura.
- Utilice solo accesorios que cumplan con las especificaciones técnicas de su producto. Estos accesorios los puede proporcionar Axis o un tercero. Axis recomienda utilizar un equipo de suministro de alimentación de Axis compatible con su producto.
- Utilice solo piezas de repuesto proporcionadas o recomendadas por Axis.
- No intente reparar el producto usted mismo. Póngase en contacto con el servicio de asistencia técnica de Axis o con su distribuidor de Axis para tratar asuntos de reparación.

Transporte

AVISO

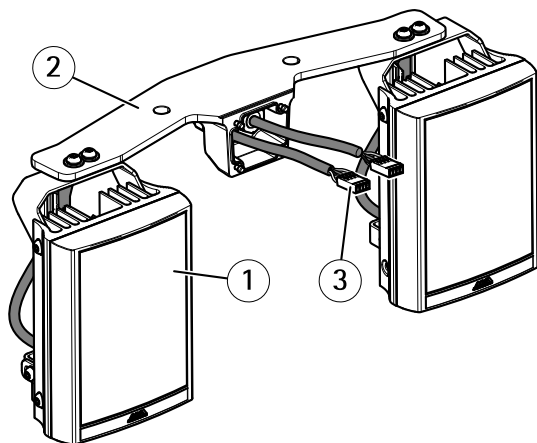
- Cuando transporte el producto de Axis, utilice el embalaje original o un equivalente para evitar daños en el producto.

Contenido del paquete

- Iluminadores (2)
- Conectores del iluminador (2)
- Tornillos (M6, 4)
- Arandelas (4)
- Abrazaderas de cable (2)

Información general del hardware

Para conocer las especificaciones de los componentes del hardware, vea *Especificaciones técnicas* en la página 64.



- 1 Iluminadores (2)
- 2 Soporte del iluminador
- 3 Conectores del iluminador (2)

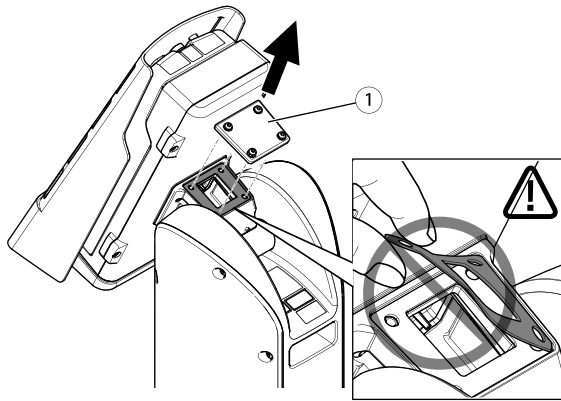
Cómo instalar el producto

⚠ADVERTENCIA

- Riesgo de descarga eléctrica. Asegúrese de que la fuente de alimentación esté desconectada.
- La emisión de luz de los iluminadores (grupo de riesgo 2) puede ser perjudicial para los ojos. Preste atención a las indicaciones facilitadas. Para reducir los riesgos de daños para los ojos, evite la exposición prolongada de los ojos y utilice protectores o dispositivos de protección para los ojos si se encuentra a distancias inferiores a 1,5 m.

⚠ATENCIÓN

La superficie del iluminador puede calentarse mucho durante el funcionamiento normal. Evite el contacto directo y coloque el aparato en un lugar inaccesible para el personal no autorizado. Antes de tocar el iluminador, desconéctelo y deje que se enfríe durante al menos 10 minutos.



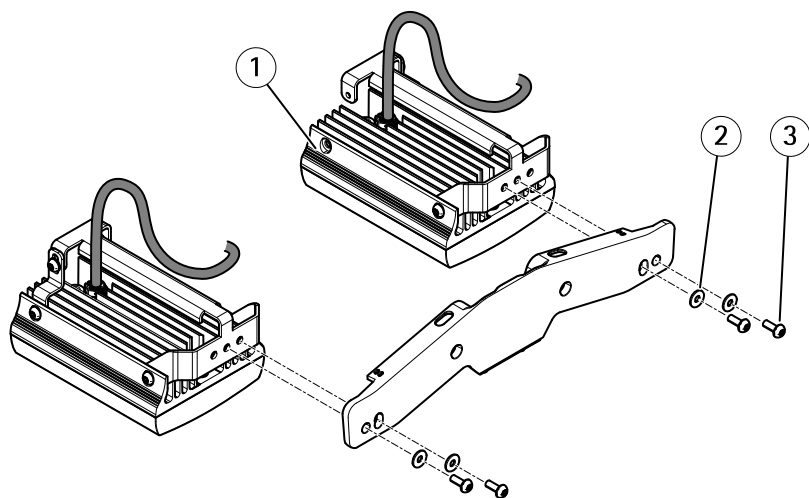
1 *Unidad de movimiento horizontal y vertical*

1. Desatornille los cuatro tornillos de la cubierta de la unidad de movimiento horizontal y vertical (T20) y quite la unidad de movimiento horizontal y vertical.

Importante

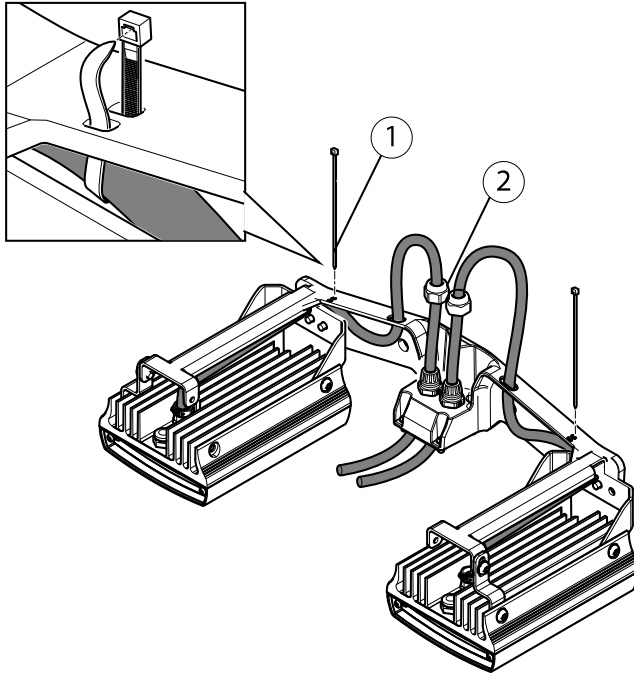
Asegúrese de que la junta que hay bajo la unidad de movimiento horizontal y vertical permanece en su posición.

AXIS PT IR Illuminator Kit C



- 1 Iluminadores (2)
- 3 Arandelas (4)
- 4 Tornillos (M6, 4)

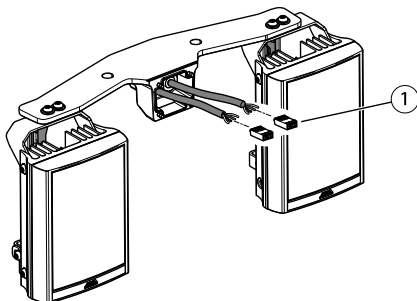
2. Acople los iluminadores al soporte de montaje mediante los cuatro tornillos.



- 1 *Abrazaderas de cable (2)*
- 2 *Tuerca de presión (2)*

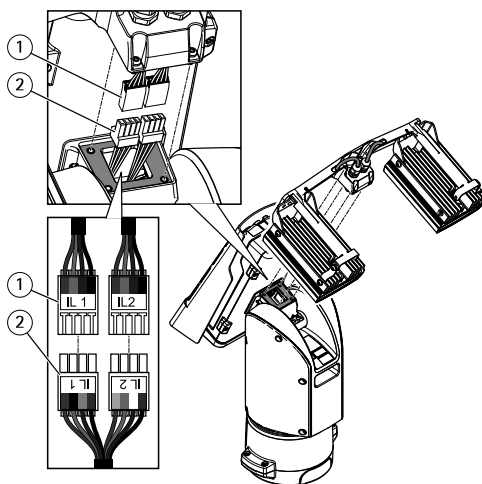
- 3. Haga pasar los cables como se muestra en la ilustración superior y apriete las tuercas de presión (par 1,5 Nm).
- 4. Fije los cables al soporte del iluminador con las abrazaderas para cables.

AXIS PT IR Illuminator Kit C



1 Conectores del iluminador (2)

5. Instale los conectores. Consulte *Conectores* en la página 64.



1 Conectores desde el iluminador (2)
2 Conector desde la unidad de posición (2)

6. Conecte los cables. Consulte *Conectores* en la página 64.

7. Fije el soporte del iluminador a la unidad de movimiento horizontal y vertical con los cuatro tornillos (T20, par 3,0 Nm).

Nota

Para obtener más información sobre el funcionamiento de los iluminadores, consulte el manual del iluminador LED (compruebe el modelo en la etiqueta del producto) y el manual del usuario de su producto de Axis compatible en www.axis.com

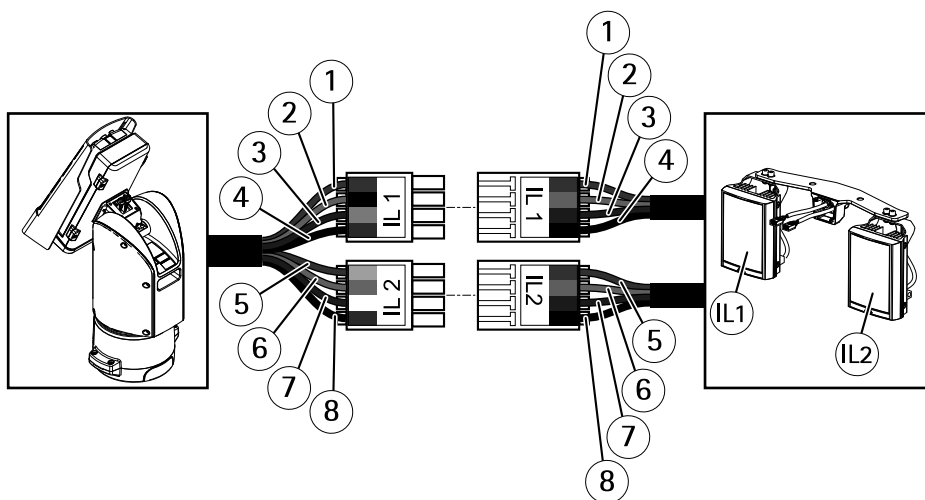
AXIS PT IR Illuminator Kit C

Especificaciones técnicas

Puede encontrar la versión más reciente de la hoja de datos en www.axis.com

Conectores

Conectores del iluminador



	Posición	Color del cable (unidad de movimiento horizontal y vertical)	Color del cable (iluminadores)	Descripción
IL1	1	Rojo	Rojo	+24 V IL
	2	Negro	Ámbar	IL1 +VE
	3	Gris	Morado	IL1 -VE
	4	Azul	Negro	GND
IL2	5	Amarillo	Rojo	+24 V IL
	6	Ámbar	Ámbar	IL2 +VE
	7	Blanco	Morado	IL2 -VE
	8	Verde	Negro	GND

Condiciones de funcionamiento

El producto de Axis se ha creado para su uso en interiores y exteriores.

Clasificación	Temperatura	Humedad
IEC/EN 60529 IP66 e IP67, ISO 4892-2 método A, ciclo 1 (3000 hrs), Tipo 4X de NEMA 250, Vibración: Clase 4M4 IEC 60721-3-4, Golpes: Clase 4M4 IEC 60721-3-4, Delimitaciones: 4M4 IEC TR 60721-4-4	Funcionamiento: De -50 °C a 60 °C Conmutador de arranque en frío: De -40 °C a 60 °C	Humedad relativa 10-100 % (sin condensación)

Consumo de energía

Producto	Tensión de entrada	Máxima luz/modo de reposo*
Kit C de Iluminadores de infrarrojos AXIS PT	12-24 V CA/CC	96 W / 0,30 W

AVISO

*Los valores proporcionados son para dos iluminadores por kit.

安全情報

危険レベル

▲危険

回避しない場合、死亡または重傷につながる危険な状態を示します。

▲警告

回避しない場合、死亡または重傷につながるおそれのある危険な状態を示します。

▲注意

回避しない場合、軽傷または中程度の怪我につながるおそれのある危険な状態を示します。

注記

回避しない場合、器物の破損につながるおそれのある状態を示します。

その他のメッセージレベル

重要

製品を正しく機能させるために不可欠な重要情報を示します。

注意

製品を最大限に活用するために役立つ有用な情報を示します。

安全手順

▲警告

本製品の設置は、お使いになる地域の法律や規制に準拠して、訓練を受けた専門技術者が行ってください。

▲警告

本製品は赤外線を放射します。動作ランプを凝視しないでください。

注記

- 本製品は、お使いになる地域の法律や規制に準拠して使用してください。
- 本製品は乾燥した換気の良い環境に保管してください。
- 本製品に衝撃または強い圧力を加えないでください。
- 本製品を不安定なポール、ブラケット、表面、または壁に設置しないでください。
- 本製品を設置するには、適切な工具のみを使用してください。電動工具を使用して過剰な力をかけると、製品が損傷することがあります。
- 化学薬品、腐食剤、噴霧式クリーナーは使用しないでください。
- 清掃には、きれいな水に浸した清潔な布を使用してください。
- 製品の技術仕様に準拠したアクセサリのみを使用してください。これらのアクセサリは、Axisまたはサードパーティから入手できます。Axisは、ご使用の製品と互換性のあるAxis給電ネットワークスイッチの使用を推奨します。
- Axisが提供または推奨する交換部品のみを使用してください。
- 製品を自分で修理しないでください。修理については、Axisサポートまたは販売代理店にお問い合わせください。

輸送

注記

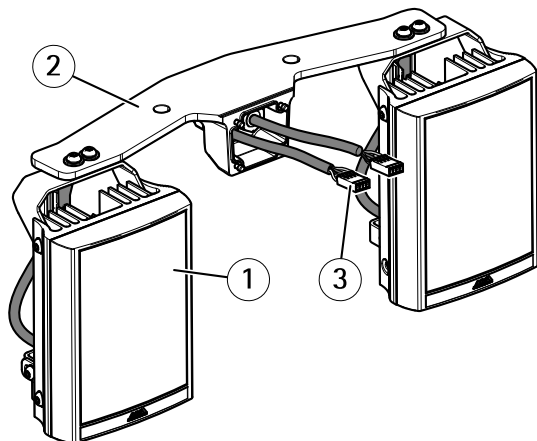
- 本製品を運搬する際は、製品が損傷しないよう、元の梱包か同等の梱包を使用してください。

パッケージの内容

- イルミネーター (×2)
- イルミネーターコネクタ (×2)
- ネジ (M6、×4)
- ワッシャー (×4)
- ケーブルタイ (×2)

ハードウェアの概要

ハードウェアコンポーネントの仕様については、76ページの、技術仕様を参照してください。



- 1 イルミネーター (×2)
- 2 イルミネーターブラケット
- 3 イルミネーターコネクタ (×2)

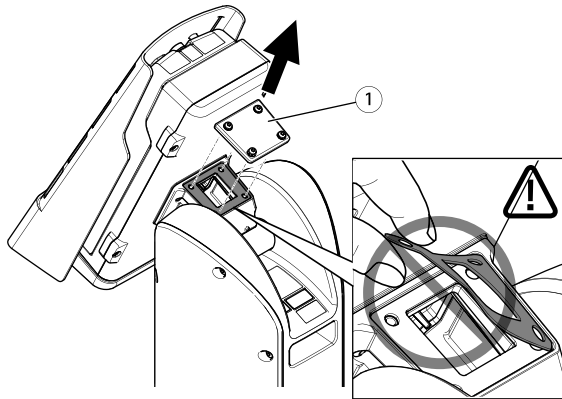
製品の取り付け方法

▲警告

- 感電の危険があります。電源が切断されていることを確認します。
- イルミネーターは眼に有害な可能性がある光 (リスクグループ2) を放射します。与えられている指示に従ってください。眼が損傷するリスクを減らすために、目の露出を避け、1.5 m以内の距離で作業する場合は、適切な遮蔽または目の保護具を使用してください。

▲注意

正常動作時は、イルミネーター表面が高温になることがあります。直接接触を許可しないでください。また、権限のない担当者の手が届かない所に装置を配置してください。接触前にイルミネーターのスイッチをオフにし、最低10分間冷却してください。



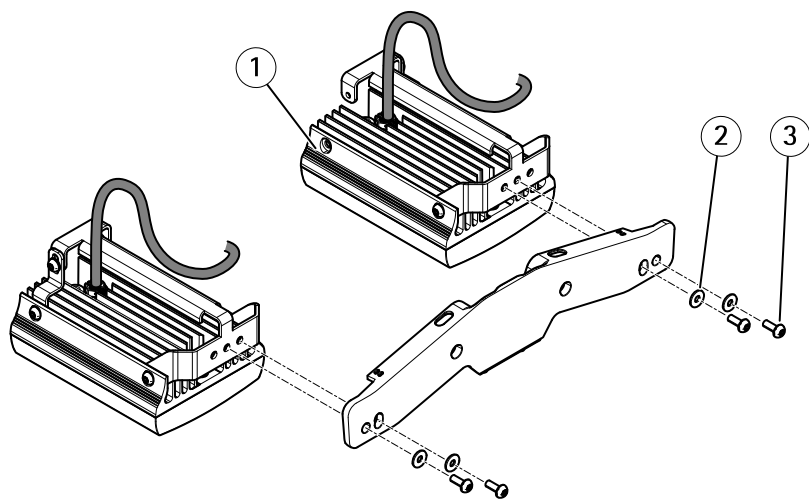
1 チルトユニットカバー

1. チルトユニットカバー用ネジ (T20) 4本を外して、チルトユニットカバーを取り外します。

重要

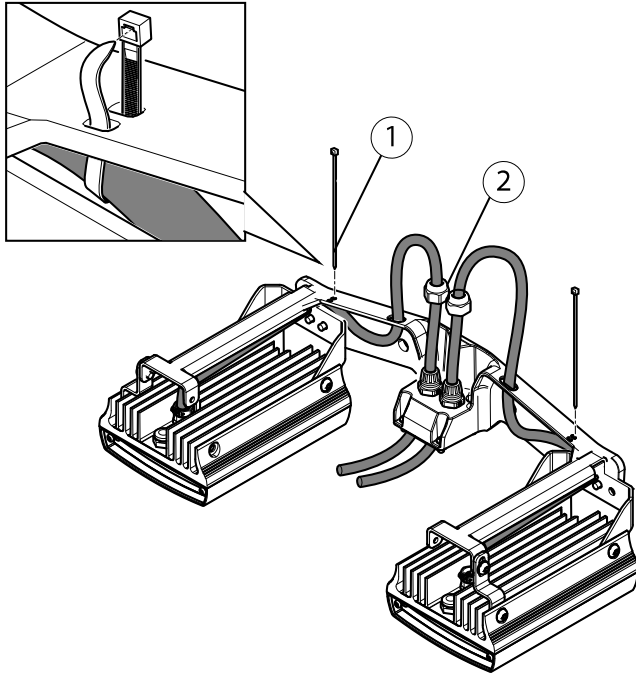
チルトユニットカバー底部のガスケットが固定されたままであることを確認します。

AXIS PT IR Illuminator Kit C



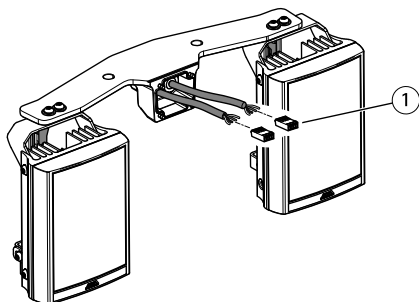
- 1 イルミネーター (×2)
- 3 ワッシャー (×4)
- 4 ネジ (M6、×4)

2. ネジ4本を使用して、イルミネーターをイルミネーターブラケットに装着します。



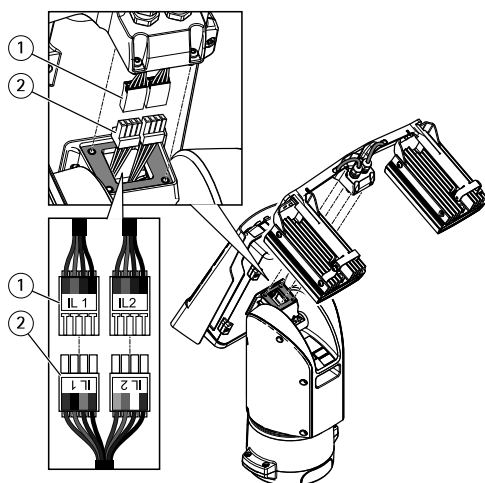
- 1 ケーブルタイ (×2)
- 2 キャップナット (×2)

3. 上図のようにケーブルを通し、キャップナットを締めます(トルク1.5 Nm)。
4. ケーブルタイを使用して、ケーブルをイルミネーターブラケットに固定します。



1 イルミネーターコネクタ (×2)

5. コネクタを取り付けます。76ページの、コネクタを参照してください。



1 イルミネーターからのコネクタ (×2)

2 ポジショニングユニットからのコネクタ (×2)

6. ケーブルを接続します。76ページの、コネクタを参照してください。

7. ネジ4本を使用して、イルミネーターブラケットをチルトユニットに装着します (T20、トルク3.0 Nm)。

注意

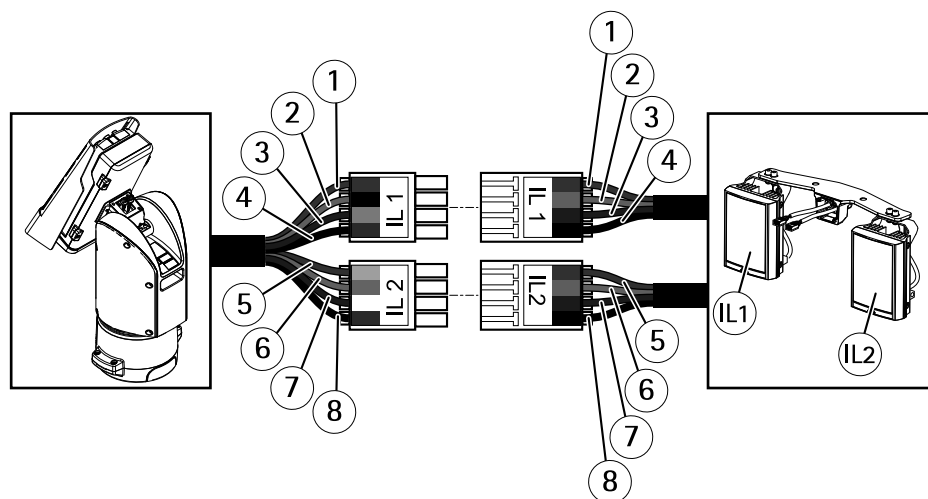
イルミネーターの操作の詳細については、イルミネーターLEDマニュアル(製品ラベルに記載されているモデルを確認) および www.axis.com で互換性のある Axis 製品のユーザーズマニュアルを参照してください。

技術仕様

最新バージョンのデータシートについては、Axisのホームページ www.axis.com を参照してください

コネクター

イルミネーターコネクター



	位置	ケーブルの色 (パン/チルトユニット)	ケーブルの色 (イルミネーター)	説明
IL1	1	赤	赤	+24V IL
	2	黒	橙	IL1 +VE
	3	灰	紫	IL1 -VE
	4	青	黒	GND

	位置	ケーブルの色 (パン/チルトユニット)	ケーブルの色 (イルミネーター)	説明
IL2	5	黄	赤	+24V IL
	6	橙	橙	IL2 +VE
	7	白	紫	IL2 -VE
	8	緑	黒	GND

動作条件

本製品は屋内および屋外対応モデルです。

等級	温度	湿度
IEC/EN 60529 IP66およびIP67、 ISO 4892-2 method A、cycle 1 (3000時間)、 NEMA 250のType 4X、 振動:Class 4M4 IEC 60721-3-4、 衝撃:Class 4M4 IEC 60721-3-4、 限界:4M4 IEC TR 60721-4-4	動作:-50° C~60° C コールドスタート:-40° C~60° C	10~100% RH (結露不可)

消費電力

製品	入力電圧	最大光度 / スタンバイモード*
AXIS PT 赤外線イルミネーターキットC	12~24V AC/DC	96 W / 0.30 W

注記

*指定する値は、1キットあたり2つのイルミネーターです。

安全信息

危险等级

▲危险

表示如果不避免则会导致死亡或严重伤害的危险情况。

▲警告

表示如果不避免则可能导致死亡或严重伤害的危险情况。

▲小心

表示如果不避免则可能导致轻微或中度伤害的危险情况。

注意

表示如果不避免则可能导致财产损失的情况。

其他消息等级

重要

表示产品正常工作所必需的重要信息。

备注

表示有助于充分利用产品的有用信息。

安全说明

警告

安讯士产品应由受过培训的专业人员进行安装，并遵守当地法律和法规。

警告

本产品会发出红外线。请勿注视正在工作的灯。

注意

- 使用安讯士产品时应遵守当地法律和法规。
- 在干燥通风的环境中存放安讯士产品。
- 避免将安讯士产品暴露在冲击或重压下。
- 请勿将本产品安装在不稳定的立杆、支架、表面或墙壁上。
- 安装安讯士产品时，仅使用适用的工具。使用电动工具过度施力可能导致产品损坏。
- 请勿使用化学品、腐蚀剂或气雾剂。
- 使用蘸纯净水的干净布进行清洁。
- 仅使用符合产品技术规格的附件。这些附件可由安讯士或第三方提供。安讯士推荐使用与产品兼容的安讯士电源设备。
- 仅使用安讯士提供或推荐的备件。
- 请勿尝试自行维修产品。有关服务事项，请联系安讯士支持部门或安讯士经销商。

运输

注意

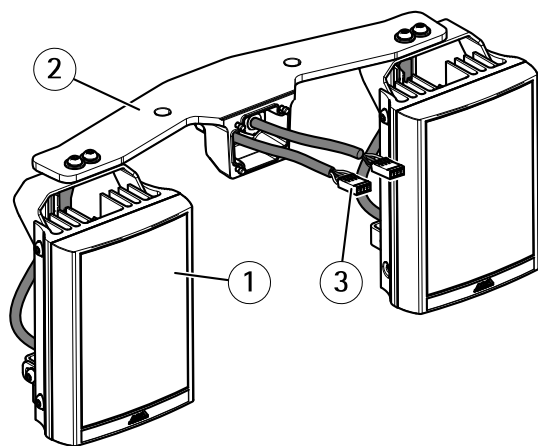
- 安讯士产品运输途中，应使用其原包装或等效包装，以防对产品造成损坏。

包装内容

- 照明器 (x2)
- 照明器接口 (x2)
- 螺丝 (M6, x4)
- 垫圈 (x4)
- 束线带 (X2)

硬件概览

有关硬件组件的规格，请参见 *技术规格* 在第87页。



- 1 照明器 (x2)
- 2 照明装置托架
- 3 照明器接口 (x2)

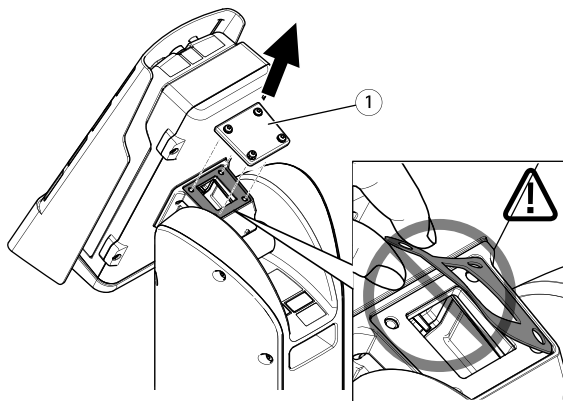
如何安装产品

警告

- 电击风险。确保电源已经断开。
- 照明器发出的光线（第 2 级危险组）会伤害眼睛。注意相关提示。为减少眼睛受到的伤害，避免眼睛暴露在相关环境下，并在小于 1.5 米 (4.9 英尺) 的距离内采取适当的屏蔽或眼睛防护措施。

小心

在正常工作期间，照明器的表面会达到较高温度。切勿直接接触，并将设备放置在未授权人员无法触及的地方。触摸之前，关闭照明器，使其冷却最少 10 分钟。

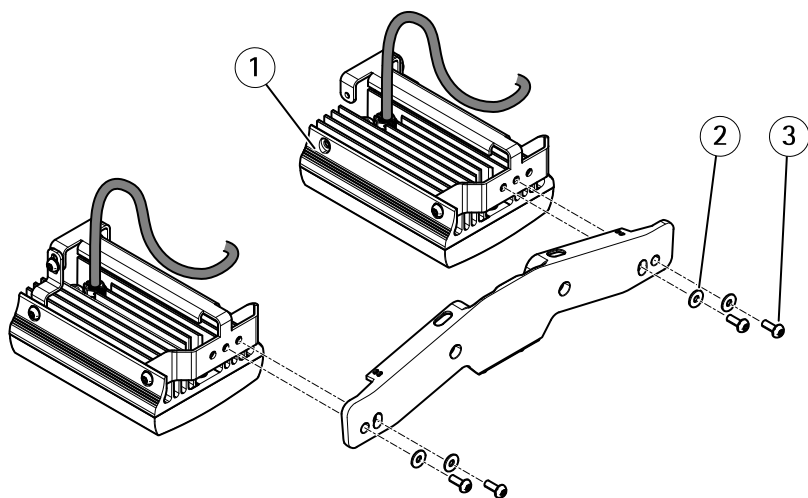


1 垂直转动单元顶盖

1. 拧下四个垂直转动单元顶盖螺丝 (T20)，并移除垂直转动单元顶盖。

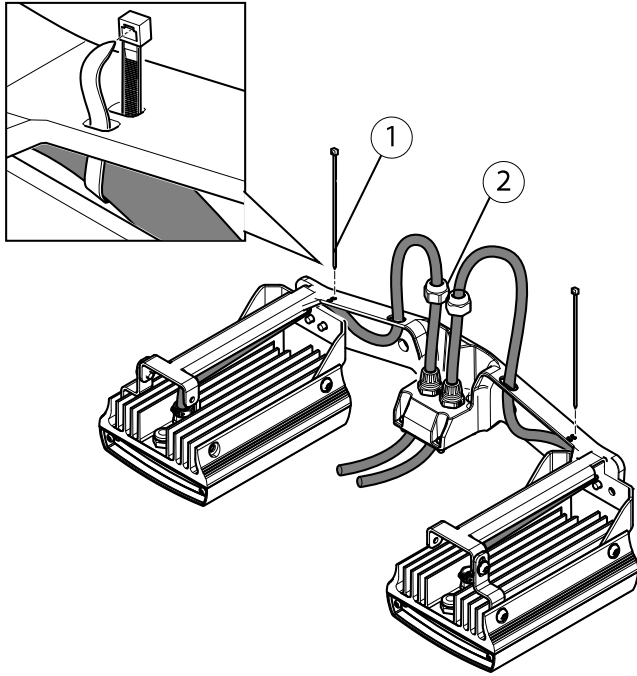
重要

确保垂直转动顶盖下的垫圈保持在合适位置。



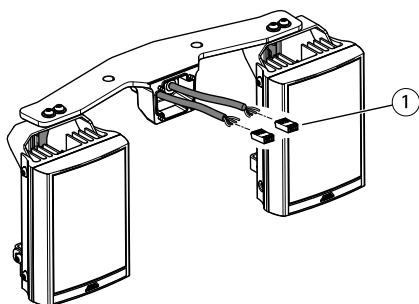
- 1 照明器 (x2)
- 3 垫圈 (x4)
- 4 螺丝 (M6, x4)

2. 使用四个螺丝将照明器安装到照明器支架上。



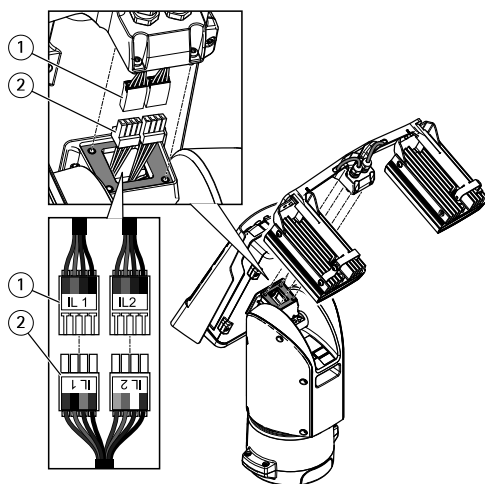
- 1 束线带 (x2)
- 2 盖形螺帽 (x2)

- 3. 按上图所示布线，拧紧盖形螺帽（扭矩为 1.5 纳米）
- 4. 利用束线带，将线缆连接至照明器支架。



1 照明器接口 (x2)

5. 安装接口。参见 接口 在第87页。



1 照明器的接口 (x2)

2 定位单元的接口 (x2)

6. 连接线缆。参见 接口 在第87页。

7. 使用四个螺丝 (T20, 扭矩 3.0 纳米) 将照明器支架安装至垂直转动单元。

备注

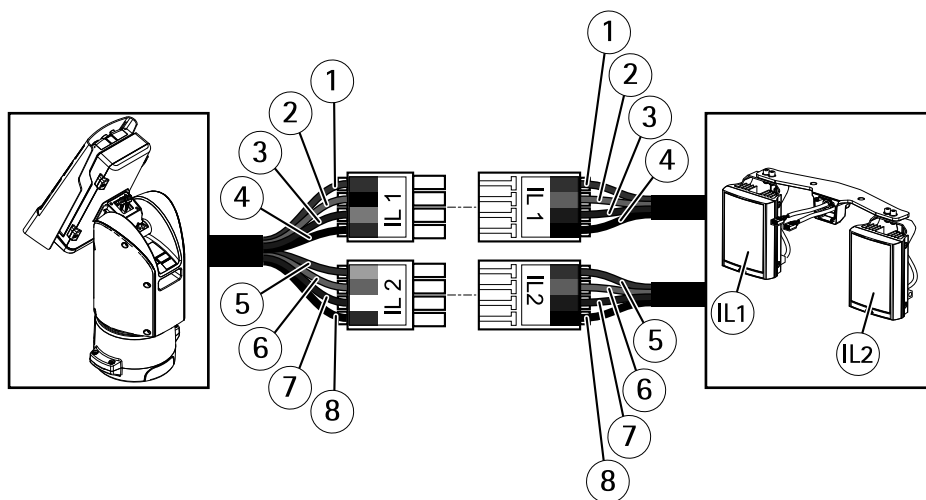
有关照明器操作的更多信息, 请查看照明器 LED 手册 (查看产品标签上的型号) 及兼容的安讯士产品的用户手册 (www.axis.com)

技术规格

您可在 www.axis.com 上找到最新版本的数据表

接口

照明器接口



	位置	线缆颜色 (水平转动/垂直转动单元)	线缆颜色 (照明器)	描述
IL1	1	红色	红色	+24V IL
	2	黑色	橙色	IL1 +VE
	3	灰色	紫色	IL1 -VE
	4	蓝色	黑色	GND
IL2	5	黄色	红色	+24V IL
	6	橙色	橙色	IL2 +VE
	7	白色	紫色	IL2 -VE
	8	绿色	黑色	GND

工作条件

安讯士产品用于在室内和室外使用。

分类	温度	湿度
IEC/EN 60529 IP66 and IP67, ISO 4892-2 方法 A, 周期 1(3000 小时), NEMA 250 4X 型, 振动: Class 4M4 IEC 60721-3-4, 冲击: Class 4M4 IEC 60721-3-4, 划界: 4M4 IEC TR 60721-4-4	操作: -50°C 至 60°C (-58°F 至 140°F) 冷启 动: -40°C 至 60°C (-40°F 至 140°F)	10-100% 相对湿度 (无冷凝)

功耗

产品	输入电压	最大亮度/待机模式*
AXIS PT 红外照明器套 件 C	12-24 V AC/DC	96 W / 0.30 W

注意

*给出的数值适用于每套件两个照明器。

