

AXIS Q87 Bispectral PTZ Network Camera Series

AXIS Q8741-E Bispectral PTZ Network Camera

AXIS Q8742-E Bispectral PTZ Network Camera

Installation Guide

English	EN
---------	----

France: Français	FR
------------------	----

Deutschland: Deutsch	DE
----------------------	----

Italia: Italiano	IT
------------------	----

España: Español	ES
-----------------	----

日本: 日本語	JA
---------	----

中文: 简体中文	ZH
----------	----

Legal considerations

This product includes the following licences:

- one (1) H.264 decoder license
- To purchase further licenses, contact your reseller.

This product is subject to export control regulations. You should always consult and comply with the regulations of the appropriate local export control authorities.

Liability

Every care has been taken in the preparation of this document. Please inform your local Axis office of any inaccuracies or omissions. Axis Communications AB cannot be held responsible for any technical or typographical errors and reserves the right to make changes to the product and manuals without prior notice. Axis Communications AB makes no warranty of any kind with regard to the material contained within this document, including, but not limited to, the implied warranties of merchantability and fitness for a particular purpose. Axis Communications AB shall not be liable nor responsible for incidental or consequential damages in connection with the furnishing, performance or use of this material. This product is only to be used for its intended purpose.

Intellectual property rights

Axis AB has intellectual property rights relating to technology embodied in the product described in this document. In particular, and without limitation, these intellectual property rights may include one or more of the patents listed at axis.com/patent.htm and one or more additional patents or pending patent applications in the US and other countries.

This product contains licensed third-party software. See the menu item "About" in the product's user interface for more information.

This product contains source code copyright Apple Computer, Inc., under the terms of Apple Public Source License 2.0 (see opensource.apple.com/apsl/). The source code is available from developer.apple.com/bonjour/

Equipment modifications

This equipment must be installed and used in strict accordance with the instructions given in the user documentation. This equipment contains no user-serviceable components. Unauthorized equipment changes or modifications will invalidate all applicable regulatory certifications and approvals.

Trademark acknowledgements


AXIS COMMUNICATIONS, AXIS and VAPIX are registered trademarks or trademark applications of Axis AB in various jurisdictions. All other company names and products are trademarks or registered trademarks of their respective companies.

Apple, Boa, Apache, Bonjour, Ethernet, Internet Explorer, Linux, Microsoft, Mozilla, Real, SMPTE, QuickTime, UNIX, Windows, Windows Vista and WWW are registered trademarks of the respective holders. Java and all Java-based trademarks and logos are trademarks or registered trademarks of Oracle and/or its affiliates. The UPnP Word Mark and UPnP Logo are trademarks of Open Connectivity Foundation, Inc. in the United States or other countries.

SD, SDHC and SDXC are trademarks or registered trademarks of SD-3C, LLC in the United States, other countries or both. Also, miniSD, microSD, miniSDHC, microSDHC, microSDXC are all trademarks or registered trademarks of SD-3C, LLC in the United States, other countries or both.

Regulatory information

Europe

 This product complies with the applicable CE marking directives and harmonized standards:

- Electromagnetic Compatibility (EMC) Directive 2014/30/EU. See *Electromagnetic compatibility (EMC) on page 4*.
- Low Voltage (LVD) Directive 2014/35/EU. See *Safety on page 5*.
- Restrictions of Hazardous Substances (RoHS) Directive 2011/65/EU. See *Disposal and recycling on page 5*.

A copy of the original declaration of conformity may be obtained from Axis Communications AB. See *Contact information on page 5*.

Electromagnetic compatibility (EMC)

This equipment has been designed and tested to fulfill applicable standards for:

- Radio frequency emission when installed according to the instructions and used in its intended environment.
- Immunity to electrical and electromagnetic phenomena when installed according to the instructions and used in its intended environment.

USA

This equipment has been tested using a shielded network cable (STP) and found to comply with the limits for a Class A digital device, pursuant to part 15 of the FCC Rules. These limits are designed to provide reasonable protection against harmful interference when the equipment is operated in a commercial environment. This equipment generates, uses, and can radiate radio frequency energy and, if not installed and used in accordance with the instruction manual, may cause harmful interference to radio communications. Operation of this equipment in a residential area is likely to cause harmful interference in which case the user will be required to correct the interference at his own expense. The product shall be connected using a shielded network cable (STP) that is properly grounded.

Canada

This digital apparatus complies with CAN ICES-3 (Class A). The product shall be connected using a shielded network cable (STP) that is properly grounded. Cet appareil numérique est conforme à la norme NMB ICES-3 (classe A). Le produit doit être connecté à l'aide d'un câble réseau blindé (STP) qui est correctement mis à la terre.

Europe

This digital equipment fulfills the requirements for RF emission according to the Class A limit of EN 55032. The product shall be connected using a shielded network cable (STP) that is properly grounded. Notice! This is a Class A product. In a domestic environment this product may cause RF interference, in which case the user may be required to take adequate measures.

This product fulfills the requirements for emission and immunity according to EN 50121-4 and IEC 62236-4 railway applications.

This product fulfills the requirements for immunity according to EN 61000-6-1 residential, commercial and light-industrial environments.

This product fulfills the requirements for immunity according to EN 61000-6-2 industrial environments.

This product fulfills the requirements for immunity according to EN 55024 office and commercial environments.

Australia/New Zealand

This digital equipment fulfills the requirements for RF emission according to the Class A limit of AS/NZS CISPR 32. The product shall be connected using a shielded network cable (STP) that is properly grounded. Notice! This is a Class A product. In a domestic environment this product may cause RF interference, in which case the user may be required to take adequate measures.

Japan

この装置は、クラスA 情報技術装置です。この装置を家庭環境で使用すると電波妨害を引き起こすことがあります。この場合には使用者が適切な対策を講ずるよう要求されることがあります。本製品は、シールドネットワークケーブル(STP)を使用して接続してください。また適切に接地してください。

Safety

This product complies with IEC/EN/UL 62368-1, safety of audio/video and IT equipment and IEC/EN/UL 60950-22, Safety of Information Technology Equipment. The product shall be grounded using both the protective earth wire in the power cable and the grounding braid. Make sure both ends of the protective earth wire and the grounding braid are in contact with their respective grounding surfaces.

The power supply used with this product shall fulfill the requirements for Safety Extra Low Voltage (SELV) according to clause 2.2 of IEC/UL 60950-1 or CEC/NEC Class 2 source of supply as defined in the Canadian Electrical Code, CSA C22.1 and National Electrical Code, ANSI/NFPA 70.

Disposal and recycling

When this product has reached the end of its useful life, dispose of it according to local laws and regulations. For information about your nearest designated collection point, contact your local authority responsible for waste disposal. In accordance with local legislation, penalties may be applicable for incorrect disposal of this waste.

Europe



■ This symbol means that the product shall not be disposed of together with household or commercial waste. Directive 2012/19/EU on waste electrical and electronic equipment (WEEE) is applicable in the European Union member states. To prevent potential harm to human health and the environment, the product must be disposed of in an approved and environmentally safe recycling process. For information about your nearest designated collection point, contact your local authority responsible for waste disposal. Businesses should contact the product supplier for information about how to dispose of this product correctly.

This product complies with the requirements of Directive 2011/65/EU on the restriction of the use of certain hazardous substances in electrical and electronic equipment (RoHS).

China



This product complies with the requirements of SJ/T 11364-2014, Marking for the restriction of hazardous substances in electrical and electronic products.

有毒有害物质或元素						
部件名称	铅 (Pb)	汞 (Hg)	镉 (Cd)	六价铬 (Cr-(VI))	多溴苯 (PB-B)	多溴二苯醚 (PB-DE)
电气安装部分	X	0	0	0	0	0
0: 表示该有毒有害物质在该部件所有均质材料中的含量均在GB/T 26572标准规定的限量要求以下。 X: 表示该有毒有害物质至少在该部件的某一均质材料中的含量超出GB/T 26572标准规定的限量要求。						

Contact information

Axis Communications AB
Emdälavägen 14
223 69 Lund
Sweden

Tel: +46 46 272 18 00

Fax: +46 46 13 61 30

www.axis.com

Warranty information

For information about Axis' product warranty and thereto related information, go to www.axis.com/warranty/

Support

Should you require any technical assistance, please contact your Axis reseller. If your questions cannot be answered immediately, your reseller will forward your queries through the appropriate channels to ensure a rapid response. If you are connected to the Internet, you can:

- download user documentation and software updates
- find answers to resolved problems in the FAQ database. Search by product, category, or phrase
- report problems to Axis support staff by logging in to your private support area
- chat with Axis support staff
- visit Axis Support at www.axis.com/support

Learn more!

Visit Axis learning center www.axis.com/academy/ for useful trainings, webinars, tutorials and guides.

Safety information

Hazard levels

⚠DANGER

Indicates a hazardous situation which, if not avoided, will result in death or serious injury.

⚠WARNING

Indicates a hazardous situation which, if not avoided, could result in death or serious injury.

⚠CAUTION

Indicates a hazardous situation which, if not avoided, could result in minor or moderate injury.

NOTICE

Indicates a situation which, if not avoided, could result in damage to property.

Other message levels

Important

Indicates significant information which is essential for the product to function correctly.

Note

Indicates useful information which helps in getting the most out of the product.

Safety instructions

⚠ DANGER

Risk of electric shock. All cables shall be de-energized before installing or performing maintenance on the product.

⚠ WARNING

The Axis product shall be installed by a trained professional, and in compliance with local laws and regulations.

⚠ CAUTION



Risk of injury. Moving parts. Keep your body parts away from the product when in operation. Disconnect from power supply before installing or performing maintenance on the product.

⚠ CAUTION



Risk of injury. Hot surface. Do not touch the product when in operation. Disconnect from power supply and allow the surfaces to cool before performing maintenance on the product.

NOTICE

- The Axis product shall be used in compliance with local laws and regulations.
- Store the Axis product in a dry and ventilated environment.
- Avoid exposing the Axis product to shocks or heavy pressure.
- Do not install the product on unstable poles, brackets, surfaces or walls.
- Use only applicable tools when installing the Axis product. Using excessive force with power tools could cause damage to the product.
- Do not use chemicals, caustic agents, or aerosol cleaners.
- Use a clean cloth dampened with pure water for cleaning.
- Use only accessories that comply with the technical specification of your product. These can be provided by Axis or a third party. Axis recommends using Axis power source equipment compatible with your product.
- Use only spare parts provided by or recommended by Axis.
- Do not attempt to repair the product yourself. Contact Axis support or your Axis reseller for service matters.
- Do not point the camera lens toward the sun or other high-intensity radiation sources because this could cause damage to the camera.

Transportation

NOTICE

- When transporting the Axis product, use the original packaging or equivalent to prevent damage to the product.

EN

Battery

The Axis product uses a 3.0 V BR2032 lithium battery as the power supply for its internal real-time clock (RTC). Under normal conditions this battery will last for a minimum of five years.

Low battery power affects the operation of the RTC, causing it to reset at every power-up. When the battery needs replacing, a log message will appear in the product's server report. For more information about the server report, see the product's setup pages or contact Axis support.

The battery should not be replaced unless required, but if the battery does need replacing, contact Axis support at axis.com/support for assistance.

Lithium coin cell 3.0 V batteries contain 1,2-dimethoxyethane; ethylene glycol dimethyl ether (EGDME), CAS no. 110-71-4.

▲WARNING

- Risk of explosion if the battery is incorrectly replaced.
- Replace only with an identical battery or a battery which is recommended by Axis.
- Dispose of used batteries according to local regulations or the battery manufacturer's instructions.

AXIS Q87 Bispectral PTZ Network Camera Series

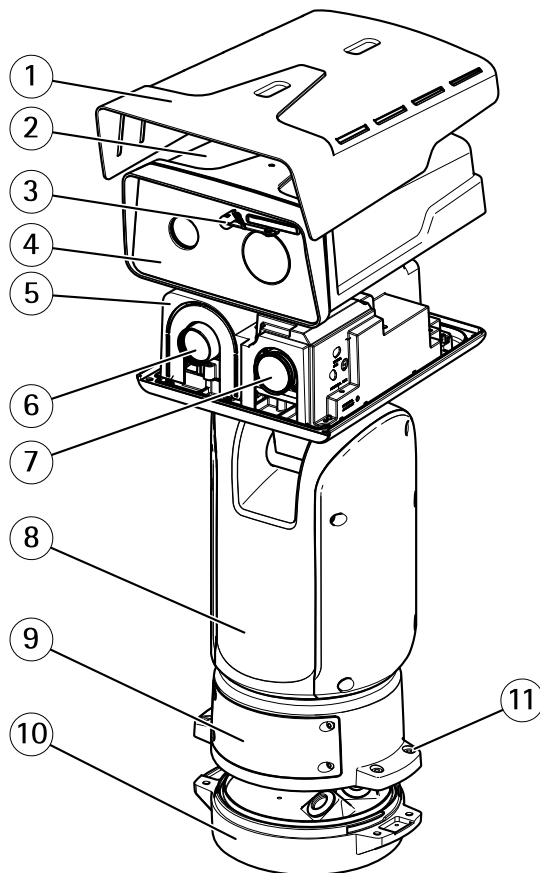
Package contents

- AXIS Q87 Bispectral PTZ Network Camera
- Power connector
- I/O connector
- Torx® bit T20 and T30
- RJ45 Mounting tool
- Printed materials
 - Installation Guide (this document)
 - Extra serial number label (2x)
 - AVHS Authentication key

Hardware overview

For specifications of the hardware components, see *Specifications* on page 27.

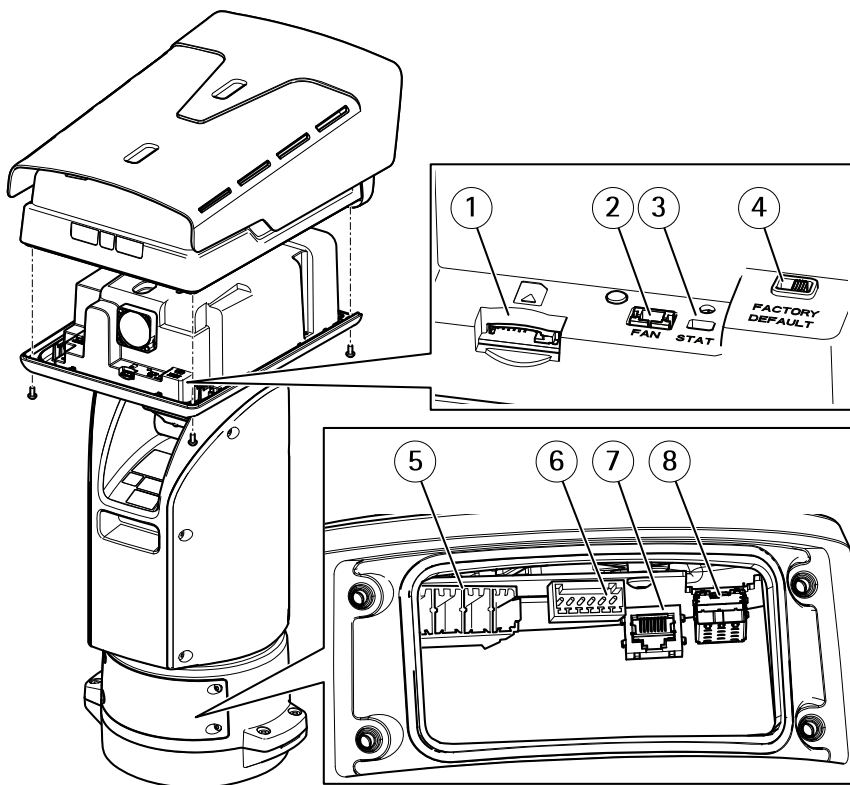
EN



- 1 Weathershield
- 2 Top cover
- 3 Wiper
- 4 Front with protective foil
- 5 Inner cover
- 6 Thermal lens
- 7 Visual lens
- 8 Positioning unit

AXIS Q87 Bispectral PTZ Network Camera Series

- 9 Lid
- 10 Base unit
- 11 Base unit screws



- 1 SD card slot (microSDHC UHS-I/microSDXC UHS-I)
- 2 Fan connector
- 3 Status LED
- 4 Factory default switch
- 5 Input power connector
- 6 I/O connector
- 7 RJ45 connector
- 8 SFP slot for SFP module (SFP module not included)

How to install the product

⚠ DANGER

Risk of electric shock. All cables shall be de-energized before installing the product.

⚠ CAUTION

The electrical connections and conduit installations shall be made by a certified electrician and in compliance with local regulations.

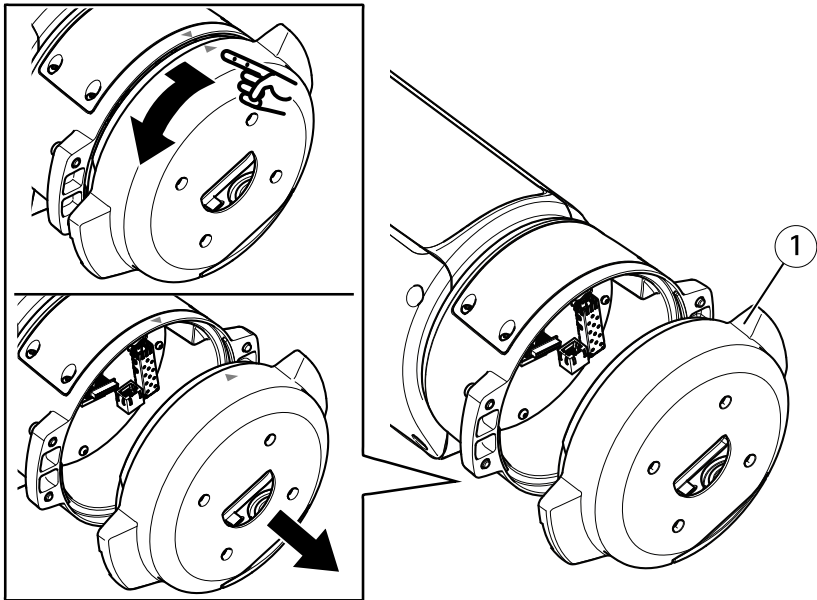
⚠ CAUTION

⚠ Risk of injury. Moving parts. Keep your body parts away from the product when in operation. Disconnect from power supply before installing or performing maintenance on the product.

⚠ CAUTION

⚠ Risk of injury. Hot surface. Do not touch the product when in operation. Disconnect from power supply and allow the surfaces to cool before performing maintenance on the product.

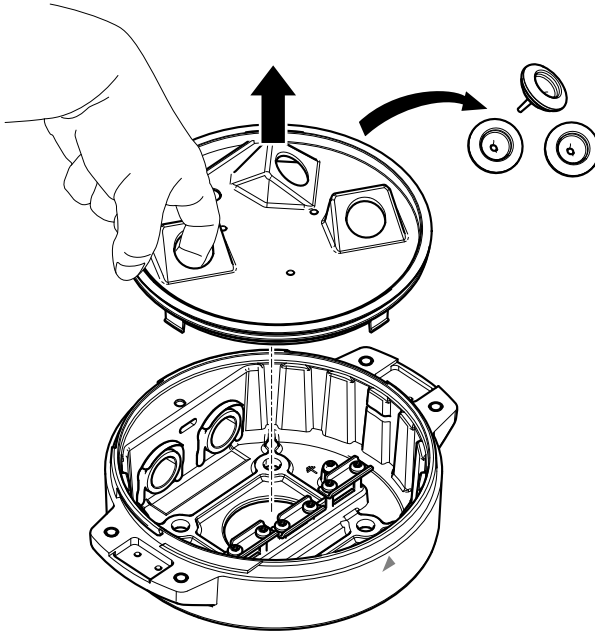
Mount the base unit



1 Base unit

AXIS Q87 Bispectral PTZ Network Camera Series

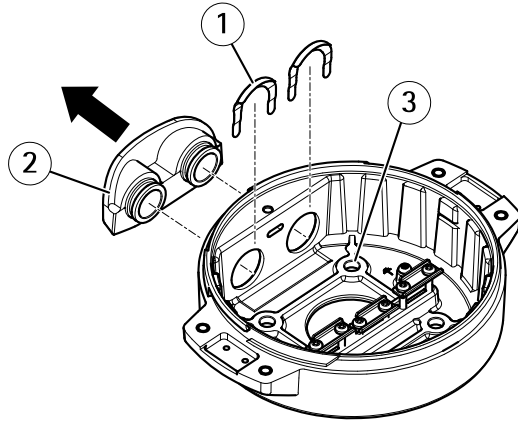
1. Remove the four base unit screws (T30).
2. Simultaneously pull and turn the base unit counterclockwise until the arrows on the base unit and the rest of the unit are aligned.
3. Remove the base unit.



NOTICE

Do not use sharp tools when removing the transparent base unit cover.

4. Remove the transparent base unit cover.



- 1 Conduit cover clip
- 2 Conduit cover
- 3 Screw hole (x4)

- 5. For conduit installations only: remove the two conduit cover clips followed by the conduit cover.
- 6. Attach the base unit to the mounting surface using the appropriate fasteners in the four screw holes.

Route the cables

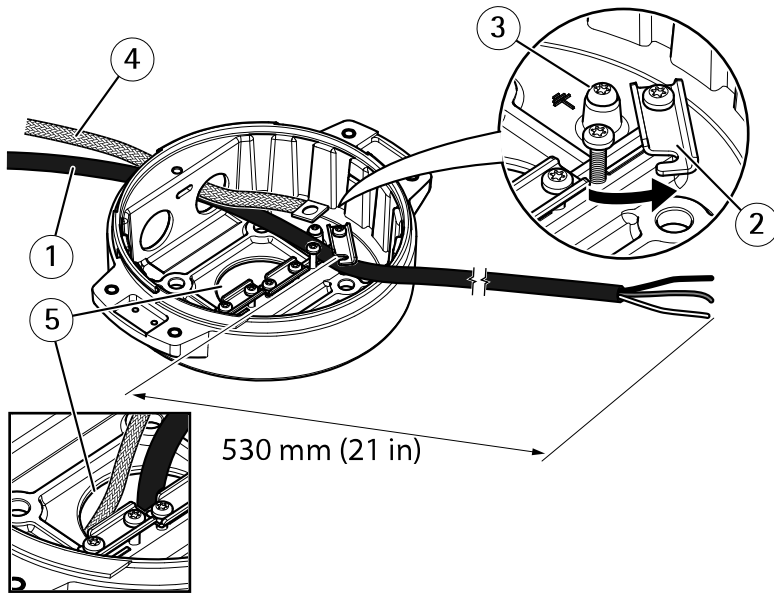
▲WARNING

Risk of electric shock. The product shall be grounded using both the protective earth wire in the power cable and the grounding braid. Make sure both ends of the protective earth wire and the grounding braid are in contact with their respective grounding surfaces.

Important

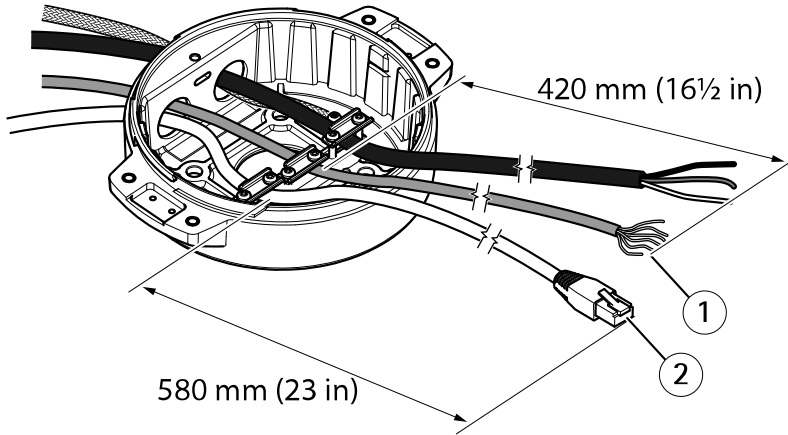
Use only cables that comply with the specified cable area. For more information, see *Cable thickness on page 30*.

AXIS Q87 Bispectral PTZ Network Camera Series



- 1 Power cable (not included)
- 2 Strain relief
- 3 Grounding screw
- 4 Grounding braid (not included)
- 5 Bottom cable hole

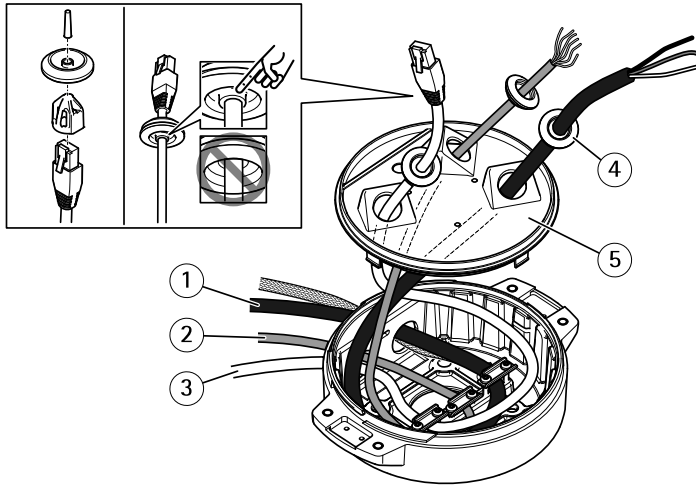
1. Install the optional conduit adapters (not included).
2. Connect the grounding braid to the grounding screw.
3. Insert the power cable, I/O cable and network cable through the hole in the base unit as shown in the illustration above. Alternatively insert them through the bottom cable hole.
4. Insert the power cable through the strain relief with a distance of 530 mm (21 in) from the strain relief to the end of the cable.



- 1 I/O cable (optional, not included)
- 2 Network cable (not included)

5. Insert the I/O cable (optional) through the strain relief with a distance of 420 mm (16½ in) from the strain relief to the end of the cable.
6. Insert the network cable (optical fiber cable and/or RJ45 cable) through the strain relief with a distance of 580 mm (23 in) from the strain relief to the end of the connector. For more information on different network connectivity options, see *Install the network link* on page 21.
7. Close and tighten the three strain reliefs.

AXIS Q87 Bispectral PTZ Network Camera Series



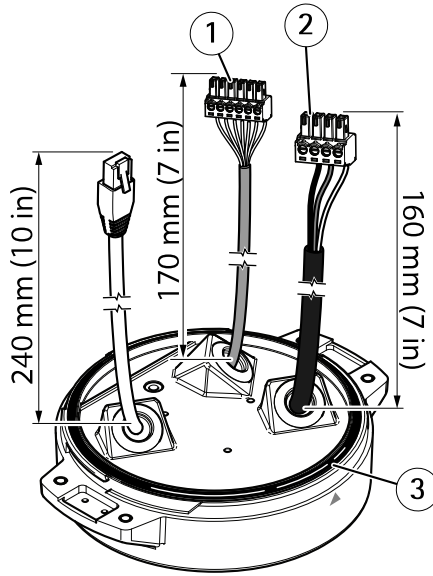
- 1 Power cable (not included)
- 2 I/O cable (optional, not included)
- 3 Network cable (not included)
- 4 Cable gasket
- 5 Transparent base unit cover

- 8. Fit cable gaskets on the cables. See *Cable thickness on page 30*.
- 9. Insert the power, I/O and network cables including the cable gaskets through the holes in the transparent base unit cover and arrange the cables as shown in the illustration above.

NOTICE

If you use both an optical fibre cable and an RJ45 cable for network connectivity, route the optical fibre cable through the same cable gasket as the I/O cable. Apply a sealant between the cables and the cable gasket to prevent leakage. For more information on different network connectivity options, see *Install the network link on page 21*.

- 10. Replace the transparent base unit cover on the base unit and fit the cable gaskets inside the holes.



- 1 I/O connector
- 2 Power connector
- 3 O-ring

NOTICE

Make sure the protective earth wire is about 10 mm (3/8 in) longer than the other two wires (in the power cable), so that it will not be disconnected accidentally if pulled.

Note

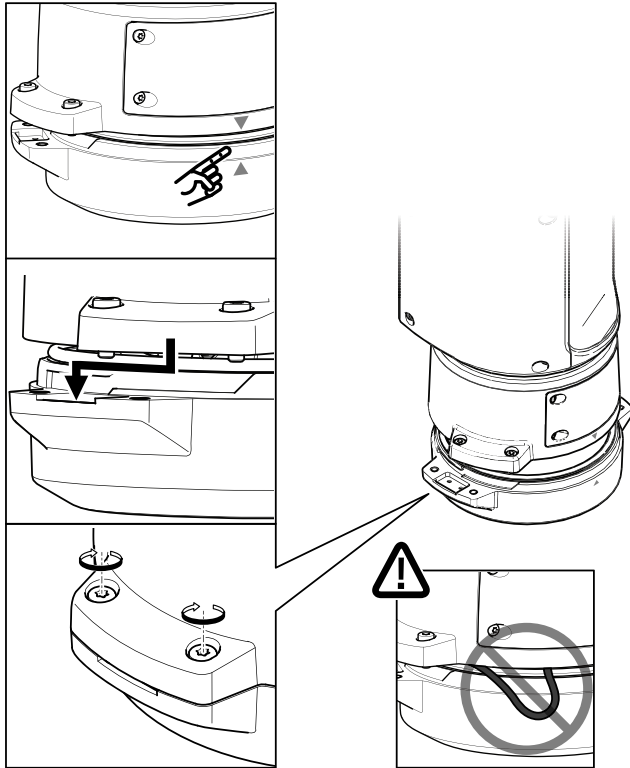
We recommend that you strip approximately 90 mm (3½ in) of the power cable jacket and 70 mm (2¾ in) of the I/O cable jacket for ease of installation.

11. Install the power and I/O connectors, see *Connectors on page 27*.
12. Adjust the network, I/O and power cables so that the distance from the cable gasket to the end of the connector is 240 mm (10 in), 170 mm (7 in), and 160 mm (7 in) respectively.

NOTICE

Make sure that the O-ring is fitted correctly around the transparent base unit cover.

AXIS Q87 Bispectral PTZ Network Camera Series

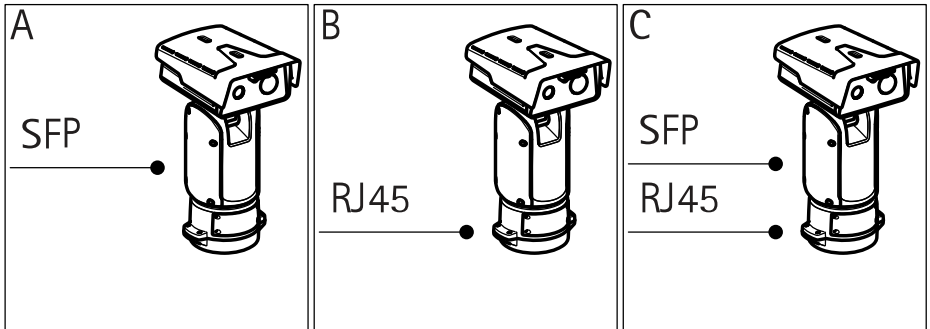


13. Replace the positioning unit on the base unit making sure that the arrows on the two units are aligned.
14. Turn the positioning unit clockwise back to its original position and tighten the four base unit screws (torque 3.0 Nm).

NOTICE

Make sure that the cables do not get pinched when mounting the two units.

Install the network link



You have different options for installing the network link:

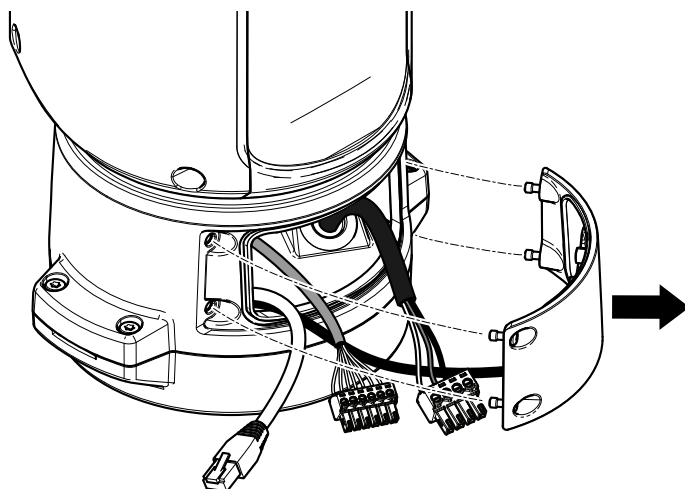
- A: via an optical fiber or RJ45 cable connected to the SFP module (with a respective connector) in the SFP slot.
- B: via an RJ45 cable connected to the fixed RJ45 connector.
- C: via both of the above, in which case connection via the SFP module functions as the primary network link and connection via the fixed RJ45 connector as the fail-over link.

For more information on network connector locations, see *Connectors* on page 27.

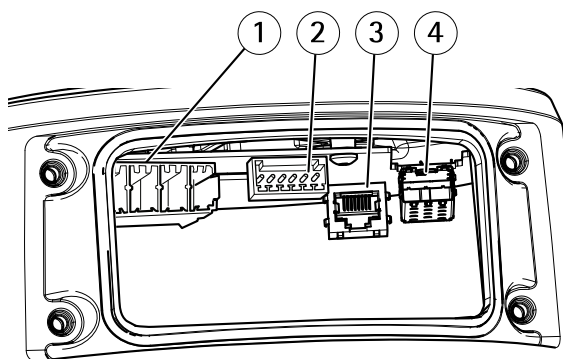
Note

- SFP module is not included. For more information on available SFP modules, see www.axis.com
- Establishing a network link only via the optical fiber cable using the respective SFP module works as a stand-alone solution for long range cabling installations.

Connect the cables



1. Loosen the four lid screws (T20) and remove the lid.

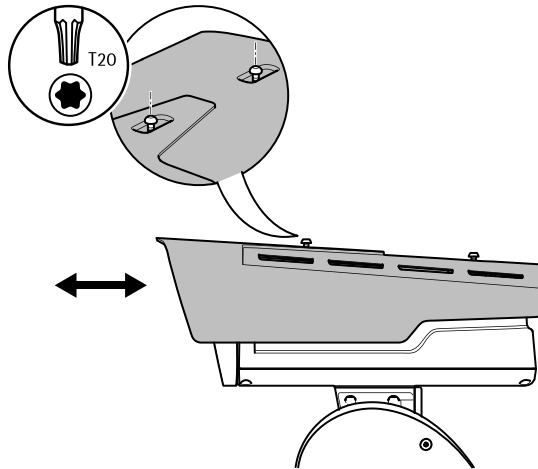


- 1 *Input power connector*
- 2 *I/O connector*
- 3 *RJ45 connector*
- 4 *SFP slot for SFP module (SFP module not included)*

2. Connect the network (optical fibre and/or RJ45), I/O and power cables. For more information on different network connectivity options, see *Install the network link* on page 21.

3. Replace the lid and tighten the four lid screws (torque 3.0 Nm).
4. Apply power to the product.

How to adjust the weathershield



1. Loosen the two weathershield screws.
2. Set the weathershield in the preferred position.
3. Tighten the two weathershield screws (torque 0.8 Nm).

How to access the product

AXIS IP Utility and AXIS Camera Management are recommended methods for finding Axis products on the network and assigning them IP addresses in Windows®. Both applications are free and can be downloaded from www.axis.com/support

The product can be used with the following browsers:

- Chrome™ (recommended), Firefox®, Edge®, or Opera® with Windows®
- Chrome™ (recommended) or Safari® with OS X®
- Chrome™ or Firefox® with other operating systems.

For more information about using the product, see the User Manual available at www.axis.com

Reset to factory default settings

▲CAUTION



Risk of injury. Moving parts. Keep your body parts away from the product when in operation. Disconnect from power supply before installing or performing maintenance on the product.

▲CAUTION



Risk of injury. Hot surface. Do not touch the product when in operation. Disconnect from power supply and allow the surfaces to cool before performing maintenance on the product.

NOTICE

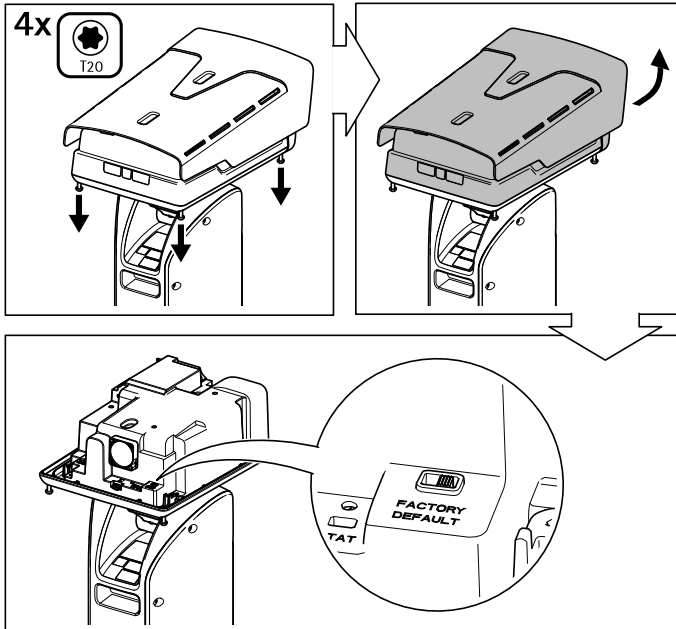
Removing the top cover exposes parts of the visual camera that are sensitive to impact. Avoid hitting the unprotected camera with the top cover at disassembly.

Important

Reset to factory default should be used with caution. A reset to factory default will reset all settings, including the IP address, to the factory default values.

Note

The installation and management software tools are available from the support pages on www.axis.com/support/downloads



1. Disconnect power from the product.
2. Loosen the four top cover screws and remove the top cover.
3. Change the position of the Factory default switch.
4. Replace the top cover and tighten the screws (torque 2.0 Nm).
5. Reconnect power to the product.

You can also reset parameters to factory default through the product's webpages. Go to **Settings > System > Maintenance** and click **Default**.

AXIS Q87 Bispectral PTZ Network Camera Series

Further information

- For the latest version of this document, see axis.com
- The user manual is available at axis.com
- To check if there is updated firmware available for your device, see axis.com/support
- For useful online trainings and webinars, see axis.com/academy

Optional accessories

For a complete list of available accessories for this product, go to the product's page on axis.com and select Software & Accessories.

Warranty information


For information about Axis' product warranty and thereto related information, go to www.axis.com/warranty/

Specifications


To find the latest version of the product's datasheet, go to the product page on axis.com and locate **Support & Documentation**.

SD card slot

CAUTION

 Risk of injury. Moving parts. Keep your body parts away from the product when in operation. Disconnect from power supply before installing or performing maintenance on the product.

CAUTION

 Risk of injury. Hot surface. Do not touch the product when in operation. Disconnect from power supply and allow the surfaces to cool before performing maintenance on the product.

NOTICE

- Risk of damage to SD card. Do not use sharp tools, metal objects, or excessive force when inserting or removing the SD card. Use your fingers to insert and remove the card.
- Risk of data loss and corrupted recordings. Do not remove the SD card while the product is running. Unmount the SD card from the product's webpage before removal.

This product supports microSD/microSDHC/microSDXC cards.

For SD card recommendations, see axis.com

Connectors

Network connector

RJ45 Ethernet connector.

SFP connector.

NOTICE

The product shall be connected using a shielded network cable (STP) or an optical fiber cable. All cables connecting the product to the network shall be intended for their specific use. Make sure that the network devices are installed in accordance with the manufacturer's instructions. For information about regulatory requirements, see *Electromagnetic compatibility (EMC) on page 4*.

AXIS Q87 Bispectral PTZ Network Camera Series

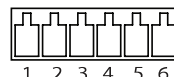
I/O connectors

Use the I/O connector with external devices in combination with, for example, tampering alarms, motion detection, event triggering, and alarm notifications. In addition to the 0 V DC reference point and power (DC output), the I/O connector provides the interface to:

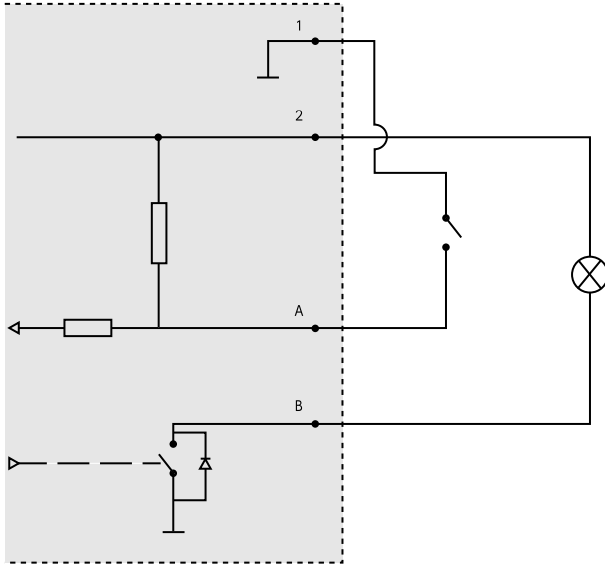
Digital output – For connecting external devices such as relays and LEDs. Connected devices can be activated by the VAPIX® Application Programming Interface or in the product's webpage.

Digital input – For connecting devices that can toggle between an open and closed circuit, for example PIR sensors, door/window contacts, and glass break detectors.

6-pin configurable terminal block



Function	Pin	Notes	Specifications
0 V DC (-)	1	DC ground	0 V DC
DC output	2	Can be used to power auxiliary equipment. Note: This pin can only be used as power out.	12 V DC Max load = 50 mA
Configurable (Input or Output)	3- 6	Digital input – Connect to pin 1 to activate, or leave floating (unconnected) to deactivate.	0 to max 30 V DC
		Digital output – Connected to pin 1 when activated, floating (unconnected) when deactivated. If used with an inductive load, e.g. a relay, a diode must be connected in parallel with the load, for protection against voltage transients.	0 to max 30 V DC, open drain, 100 mA



- 1 0 V DC (-)
- 2 DC output 12 V, max 50 mA
- A I/O configured as input
- B I/O configured as output

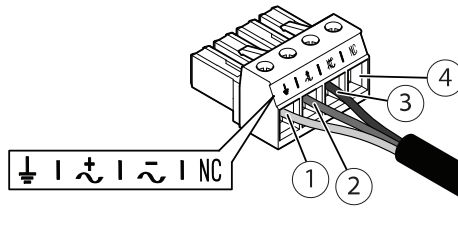
Power connector

4-pin terminal block for power input.

24 V AC/DC power connector

NOTICE

This section is valid for products powered by 24 V AC and 24 V DC only.



AXIS Q87 Bispectral PTZ Network Camera Series

Position	24 V AC	24 V DC
1	Protective earth	Protective earth
2	24 V AC Phase	+ 24 V
3	24 V AC Neutral	0 V
4	Not connected	Not connected

Cables

Cable thickness

The cable diameter, when using cable gaskets provided with the product, should be in the range of 5 to 11 mm (0.2 to 0.4 in).

NOTICE

- Use cables that keep within the specified cable area
- Select cables in compliance with your local regulations
- Make sure all cable holes are properly sealed
- Use cable gaskets or cable glands that match both the cable hole and the cable area

For information about accessories, such as cable gaskets and cable glands that allow for other cable areas, see www.axis.com

Operating conditions

The Axis product is intended for indoor and outdoor use.

Temperature	Humidity
Operating temperature: -50 °C to 55 °C (-58 °F to 131 °F) Cold Startup (<1h startup time, to fully functional): -40 °C (-40 °F)	10–100% RH (non-condensing)

Power consumption

Product	Typical consumption	Max consumption
AXIS Q8741-E 24 V AC/DC AXIS Q8742-E 24 V AC/DC	16 W	204 W

Important

When using the 22 m (72 ft) AXIS Cable 24 V DC/24–240 V AC, a power supply capable of delivering 300 W is required to compensate for the power loss in the cable.

NOTICE

The typical power consumption values are based on the following:

- Any losses in the power cable disregarded
- No pan/tilt/zoom/focus/wiper motors active
- Temperature at 25 °C (all heaters off)
- One H.264 stream at maximum resolution
- MJPEG stream recorded to SD card

Informations sur la sécurité

Niveaux de risques

▲DANGER

Indique une situation dangereuse qui, si elle n'est pas évitée, entraînera le décès ou des blessures graves.

▲AVERTISSEMENT

Indique une situation dangereuse qui, si elle n'est pas évitée, pourrait entraîner le décès ou des blessures graves.

▲ATTENTION

Indique une situation dangereuse qui, si elle n'est pas évitée, pourrait entraîner des blessures légères ou modérées.

AVIS

Indique une situation qui, si elle n'est pas évitée, pourrait endommager l'appareil.

Autres niveaux de message

Important

Indique les informations importantes, nécessaires pour assurer le bon fonctionnement de l'appareil.

Note

Indique les informations utiles qui permettront d'obtenir le fonctionnement optimal de l'appareil.

Consignes de sécurité


⚠ DANGER

Risque de choc électrique. Tous les câbles doivent être mis hors tension avant l'installation ou une intervention de maintenance sur le produit.


⚠ AVERTISSEMENT

Le produit Axis doit être installé par un professionnel qualifié et conformément aux lois et réglementations locales en vigueur.

⚠ ATTENTION

 Risques de blessures. Pièces mobiles. Restez à l'écart du produit lorsqu'il est en cours de fonctionnement. Débranchez l'alimentation électrique avant d'installer le produit ou d'effectuer son entretien.

⚠ ATTENTION

 Risques de blessures. Surfaces chaudes. Ne touchez pas le produit lorsqu'il est en cours de fonctionnement. Débranchez l'alimentation électrique et laissez les surfaces refroidir avant d'effectuer l'entretien du produit.

AVIS

- Le produit Axis doit être utilisé conformément aux lois et règlements locaux.
- Conserver ce produit Axis dans un environnement sec et ventilé.
- Ne pas exposer ce produit Axis aux chocs ou aux fortes pressions.
- Ne pas installer ce produit sur des poteaux, supports, surfaces ou murs instables.
- Utiliser uniquement des outils recommandés pour l'installation de l'appareil Axis. L'application d'une force excessive sur l'appareil avec des outils puissants pourrait l'endommager.
- Ne pas utiliser de produits chimiques, de substances caustiques ou de nettoyeurs pressurisés.
- Utiliser un chiffon propre imbibé d'eau pure pour le nettoyage.
- Utiliser uniquement des accessoires conformes aux caractéristiques techniques de votre produit. Ils peuvent être fournis par Axis ou un tiers. Axis recommande d'utiliser un équipement d'alimentation Axis compatible avec votre produit.
- Utiliser uniquement les pièces de rechange fournies ou recommandées par Axis.
- Ne pas essayer de réparer vous-même ce produit. Contacter l'assistance technique d'Axis ou votre revendeur Axis pour des problèmes liés à l'entretien.
- Évitez de pointer l'objectif de la caméra vers le soleil ou toute autre source de radiation de haute intensité. Cela risque d'endommager la caméra.

Transport

AVIS

- Lors du transport du produit Axis, utilisez l'emballage d'origine ou un équivalent pour éviter d'endommager le produit.

Batterie

FR

Le produit Axis utilise une batterie au lithium BR2032 3,0 V comme alimentation de son horloge en temps réel interne (RTC). Dans des conditions normales, cette batterie a une durée de vie minimale de cinq ans.

Si la batterie est faible, le fonctionnement de l'horloge en temps réel peut être affecté et entraîner sa réinitialisation à chaque mise sous tension. Un message enregistré apparaît dans le rapport de serveur du produit lorsque la batterie doit être remplacée. Pour tout complément d'information concernant le rapport de serveur, reportez-vous aux pages de Configuration du produit ou contactez l'assistance technique d'Axis.

La batterie doit être remplacée uniquement en cas de besoin, et pour ce faire, contactez l'assistance technique d'Axis à l'adresse axis.com/support et obtenir de l'aide.

Les piles boutons 3,0 V au lithium contiennent du 1,2-diméthoxyéthane, éthylène glycol diméthyl éther (EGDME), CAS N° 110-71-4.

▲ AVERTISSEMENT

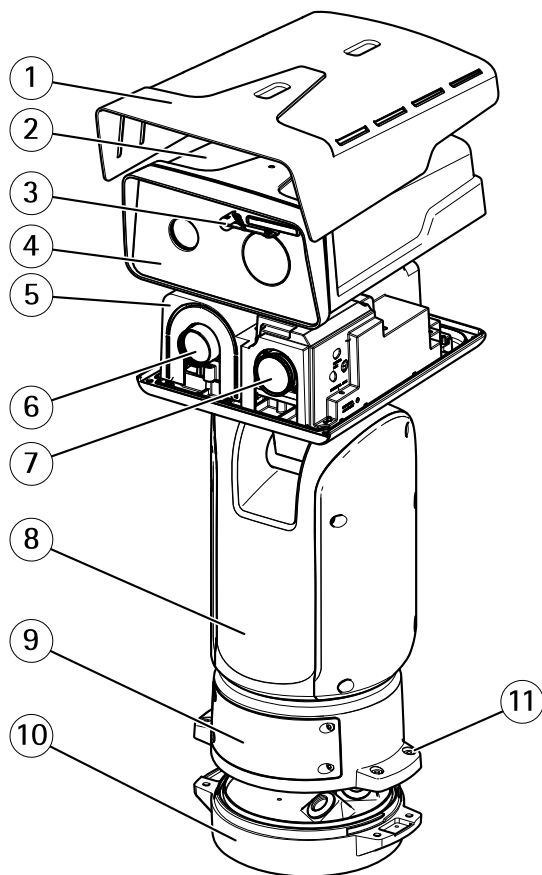
- Risque d'explosion si la batterie est remplacée de façon incorrecte.
- Remplacez-la uniquement par une batterie identique ou une batterie recommandée par Axis.
- Mettez au rebut les batteries usagées conformément aux réglementations locales ou aux instructions du fabricant de la batterie.

Contenu de l'emballage

- Caméra réseau PTZ bispectrale AXIS Q87
- Connecteur d'alimentation
- Connecteur d'E/S
- Torx® embout T20 et T30
- Outil de montage RJ45
- Documents imprimés
 - Guide d'installation (ce document)
 - Étiquette supplémentaire de numéro de série (x2)
 - Clé d'authentification AVHS

Aperçu du matériel

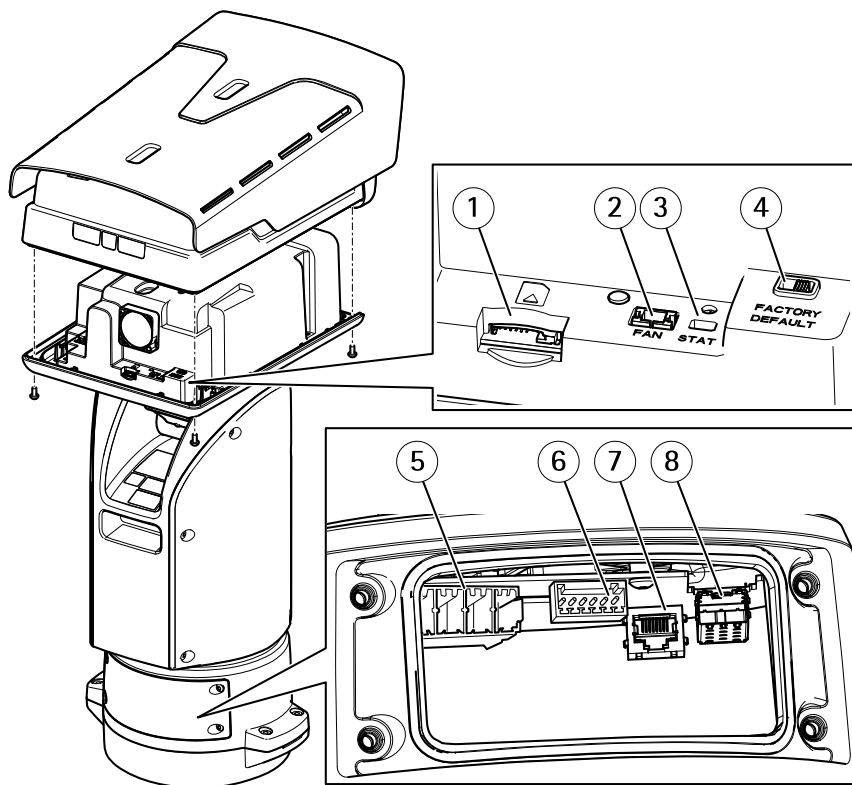
Pour connaître les caractéristiques des composants matériels, consultez *Caractéristiques* page 54.



- 1 Protection étanche
- 2 Couvercle supérieur
- 3 Essuyage
- 4 Avant avec feuille de protection
- 5 Couvercle interne
- 6 Objectif thermique
- 7 Objectif visuel
- 8 Unité de positionnement

AXIS Q87 Bispectral PTZ Network Camera Series

- 9 *Opercule*
- 10 *Unité de base*
- 11 *Vis de l'unité de base*



- 1 *Emplacement de carte SD (microSDHC UHS-I/microSDXC UHS-I)*
- 2 *Connecteur de ventilateur*
- 3 *Voyant d'état*
- 4 *Commutateur valeurs par défaut*
- 5 *Connecteur d'alimentation d'entrée*
- 6 *Connecteur d'E/S*
- 7 *Connecteur RJ45*
- 8 *Emplacement SFP pour module SFP (module SFP non inclus)*

Comment installer le produit


⚠DANGER

Risque de choc électrique. Tous les câbles doivent être hors tension avant d'installer le produit.


⚠ATTENTION

Les connexions électriques et les installations de conduites doivent être effectuées par un électricien certifié et conformément aux réglementations locales.

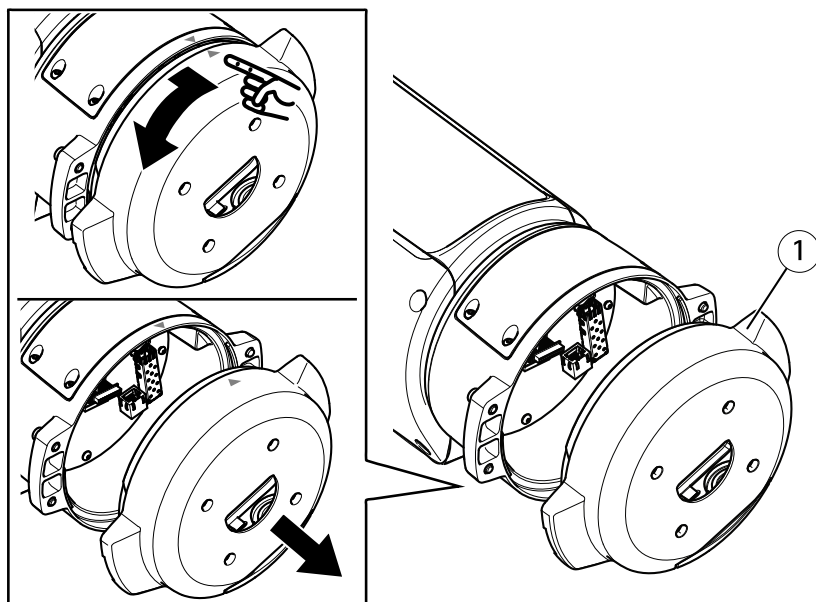
⚠ATTENTION

 Risques de blessures. Pièces mobiles. Restez à l'écart du produit lorsqu'il est en cours de fonctionnement. Débranchez l'alimentation électrique avant d'installer le produit ou d'effectuer son entretien.

⚠ATTENTION

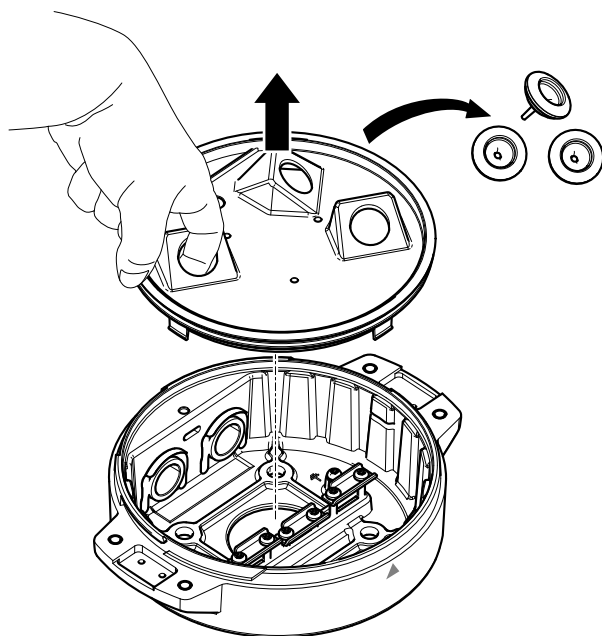
 Risques de blessures. Surfaces chaudes. Ne touchez pas le produit lorsqu'il est en cours de fonctionnement. Débranchez l'alimentation électrique et laissez les surfaces refroidir avant d'effectuer l'entretien du produit.

Montage de l'unité de base



1 Unité de base

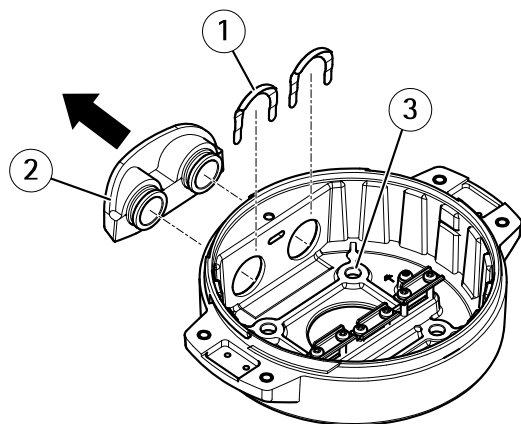
1. Déposer les quatre vis de l'unité (T30).
2. Tirez et tournez simultanément l'unité de base dans le sens anti-horaire jusqu'à ce que les flèches sur l'unité de base et le reste de l'unité soient alignées.
3. Déposez l'unité de base.



AVIS

Ne pas utiliser d'outils tranchants lors de la dépose du couvercle transparent de l'unité de base.

4. Déposez le couvercle transparent de l'unité de base.



- 1 *Clip du cache de conduit*
- 2 *Cache de conduit*
- 3 *Trou de vis (x4)*

5. Pour des installations de conduit uniquement : déposer les deux clips du cache de conduit suivis par le cache du conduit.
6. Fixez l'unité de base à la surface de montage en utilisant les éléments de fixation appropriés dans les quatre trous de vis.

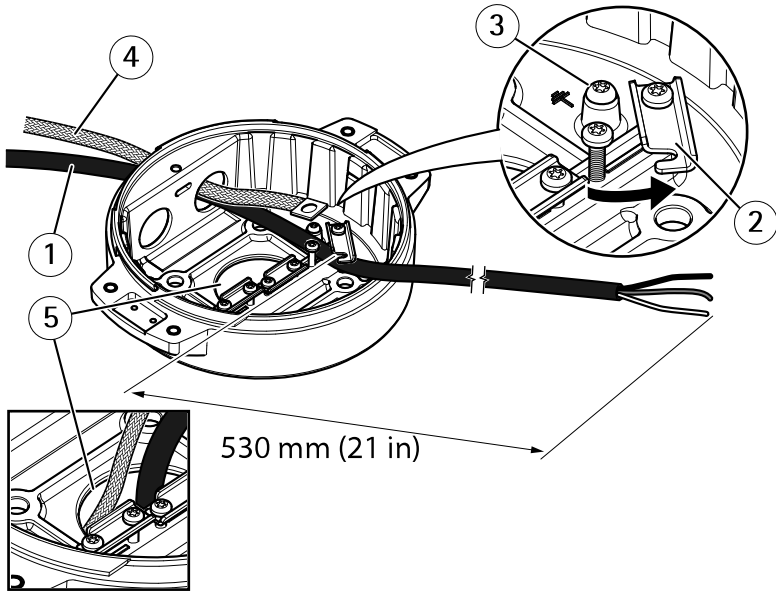
Acheminement des câbles

⚠ AVERTISSEMENT

Risque de choc électrique. Le produit doit être mis à la terre à l'aide du câble de protection de mise à la terre du câble d'alimentation et de la tresse de terre. Assurez-vous que les deux extrémités du câble de protection de mise à la terre et la tresse de terre sont en contact avec les surfaces de mise à la terre correspondantes.

Important

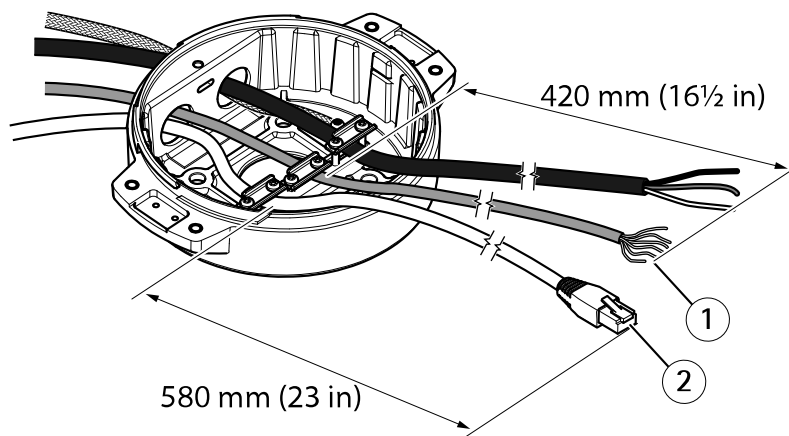
Utilisez uniquement des câbles conformes à la zone spécifiée. Pour en savoir plus, consultez *Épaisseur du câble* page 57.



- 1 Câble d'alimentation (non fourni)
- 2 Réducteur de tension
- 3 vis de mise à la terre
- 4 Tresse de terre (non fournie)
- 5 passage du câble inférieur

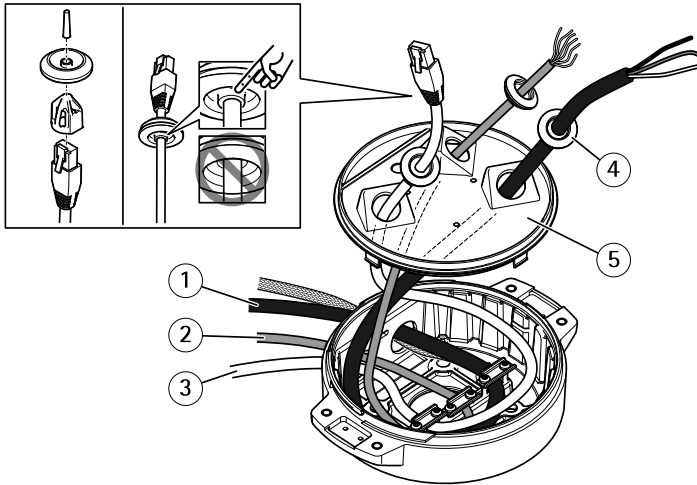
1. Installez les adaptateurs de conduit en option (non fournis).
2. Reliez la tresse de terre à la vis de mise à la terre.
3. Insérez le câble d'alimentation, le câble d'E/S et le câble réseau à travers l'orifice de l'unité de base comme illustré ci-dessus. Vous pouvez aussi les insérer dans l'orifice du câble inférieur.
4. Insérez le câble d'alimentation à travers le réducteur de tension avec une distance de 530 mm (21 po) depuis le réducteur de tension jusqu'à l'extrémité du câble.

AXIS Q87 Bispectral PTZ Network Camera Series



- 1 Câble E/S (en option, non fourni)
- 2 Câble réseau (non inclus)

5. Insérez le câble d'E/S (en option) à travers le réducteur de tension avec une distance de 420 mm (16½ po) depuis le réducteur de tension jusqu'à l'extrémité du câble.
6. Insérez le câble réseau (câble fibre optique et/ou câble RJ45) à travers le réducteur de tension avec une distance de 580 mm (23 po) depuis le réducteur de tension jusqu'à l'extrémité du connecteur. Pour plus d'informations sur les différentes options de connectivité réseau, consultez *Installation de la liaison réseau* page 48.
7. Fermez et serrez les trois reliefs de traction.



- 1 Câble d'alimentation (non inclus)
- 2 Câble E/S (en option, non fourni)
- 3 Câble réseau (non inclus)
- 4 Joint de câble
- 5 Couvercle transparent de l'unité de base

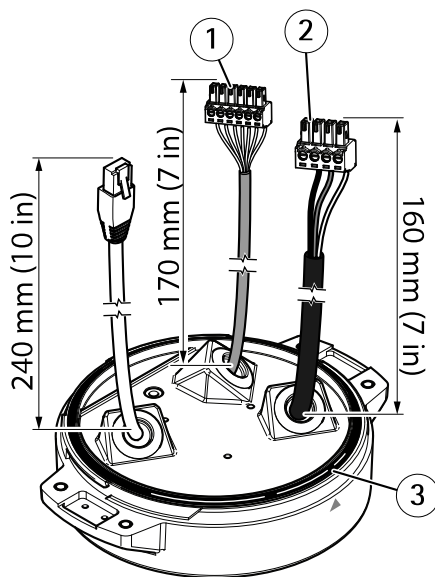
8. Placez les joints sur les câbles. Cf. *Épaisseur du câble* page 57.
9. Insérez les câbles d'alimentation, d'E/S et réseau y compris les joints à travers les orifices du couvercle transparent de l'unité de base et disposez les câbles comme illustré ci-dessus.

AVIS

Si vous utilisez un câble à fibre optique et un câble RJ45 pour la connectivité réseau, acheminez le câble à fibre optique à travers le même joint que le câble d'E/S. Appliquez un joint entre les câbles et le joint de câble pour empêcher toute fuite. Pour plus d'informations sur les options de connectivité réseau, voir *Installation de la liaison réseau* page 48.

10. Remplacez le couvercle transparent de l'unité de base sur celle-ci et placez les joints dans les orifices.

AXIS Q87 Bispectral PTZ Network Camera Series



- 1 Connecteur E/S
- 2 Connecteur d'alimentation
- 3 Joint torique

AVIS

Pour éviter toute déconnexion intempestive, le câble de protection de mise à la terre doit être plus long d'environ 10 mm (3/8 po) que les deux autres fils (dans le câble d'alimentation).

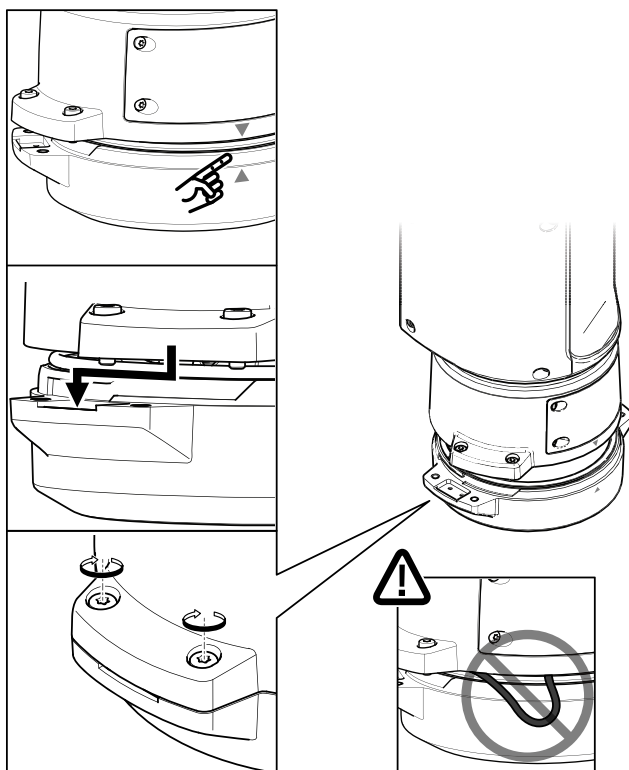
Note

Nous vous recommandons de dénuder environ 90 mm (3½ po) de la gaine du câble d'alimentation et 70 mm (2¾ po) de la gaine de câble d'E/S pour une installation plus facile.

11. Pour installer les connecteurs d'alimentation et d'E/S, voir *Connecteurs* page 54.
12. Réglez les câbles réseau, d'E/S et d'alimentation de sorte que la distance depuis le joint du câble jusqu'à l'extrémité du connecteur soit respectivement de 240 mm (10 po), 170 mm (7 po) et 160 mm (7 po).

AVIS

Assurez-vous que les joints toriques sont correctement fixés autour du couvercle transparent de l'unité de base.

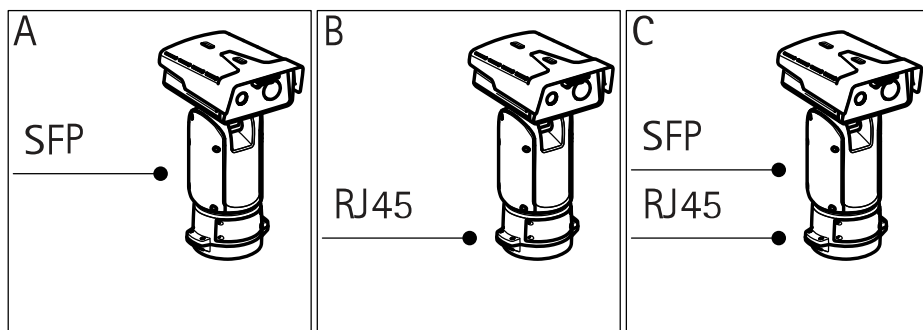


13. Remplacez l'unité de positionnement sur l'unité de base en vous assurant que les flèches sur les deux unités sont alignées.
14. Tournez l'unité de positionnement dans le sens des aiguilles d'une montre jusqu'à sa position d'origine et serrez les quatre vis de l'unité de base (couple de 3 Nm).

AVIS

Assurez-vous de ne pas pincer les câbles lors du montage des deux unités.

Installation de la liaison réseau



Vous disposez de plusieurs options pour installer la liaison réseau :

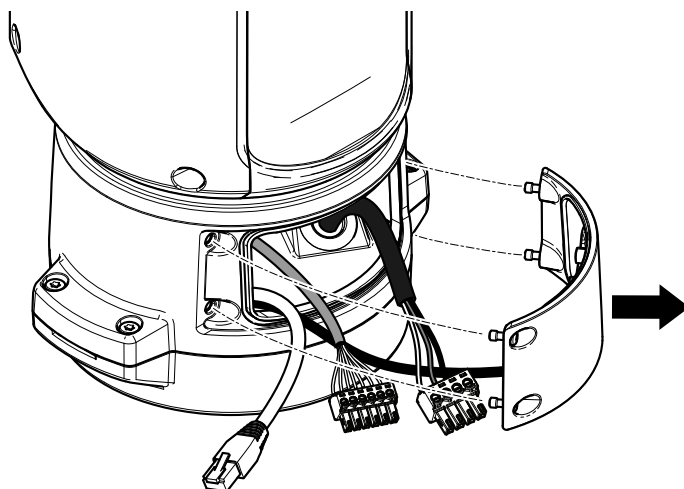
- A : via un câble à fibre optique ou un câble RJ45 raccordé au module SFP (avec connecteur correspondant) sur l'emplacement SFP.
- B : via un câble RJ45 raccordé au connecteur RJ45 fixe.
- C : via les deux solutions ci-dessus, auquel cas le raccordement via le module SFP fonctionne comme la liaison réseau primaire et le raccordement via le connecteur RJ45 fixe comme la liaison de secours.

Pour plus d'informations sur les emplacements des connecteurs réseau, voir *Connecteurs* page 54.

Note

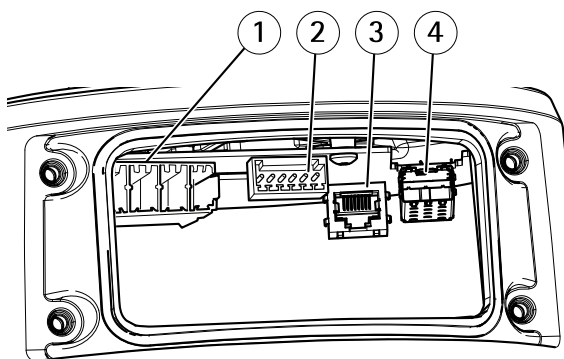
- Le module SFP n'est pas fourni. Pour plus d'informations sur les modules SFP, consultez le site www.axis.com
- L'établissement d'une liaison réseau uniquement via le câble à fibre optique à l'aide du module SFP respectif fonctionne comme une solution autonome pour les installations de câblage longue distance.

Branchez les câbles



FR

1. Desserrez les quatre vis du couvercle (T20) et retirez le couvercle.



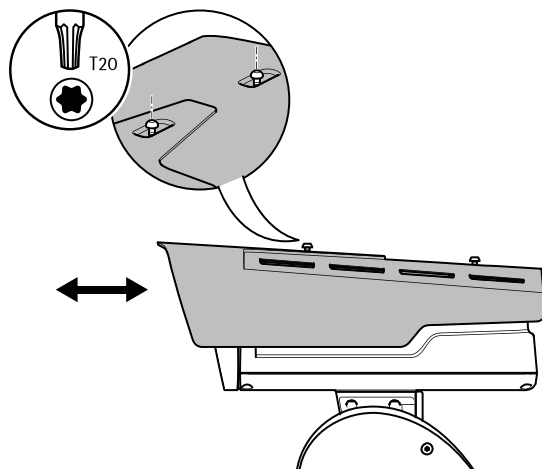
- 1 Connecteur d'alimentation d'entrée
- 2 Connecteur E/S
- 3 Connecteur RJ45
- 4 Emplacement SFP pour module SFP (module SFP non inclus)

2. Branchez le câble réseau (fibre optique et/ou RJ45), E/S et d'alimentation. Pour plus d'informations sur les options de connectivité réseau, voir *Installation de la liaison réseau* page 48.

AXIS Q87 Bispectral PTZ Network Camera Series

3. Remplacez le couvercle, puis serrez les quatre vis du couvercle (couple de serrage 3,0 Nm).
4. Mettez le produit sous tension.

Comment ajuster la protection étanche



1. Desserrez les deux vis de la protection étanche.
2. Placez la protection étanche dans la position de votre choix.
3. Serrez les deux vis de la protection étanche (couple de serrage 0,8 Nm).

Comment accéder au produit

Si vous souhaitez rechercher des produits Axis sur le réseau ou leur affecter des adresses IP sous Windows®, nous recommandons l'utilisation des applications AXIS IP Utility et AXIS Camera Management. Ces deux applications sont gratuites et peuvent être téléchargées depuis www.axis.com/support


Le produit peut être utilisé avec les navigateurs suivants :

- Chrome™ (recommandé), Firefox®, Edge® ou Opera® avec Windows®
- Chrome™ (recommandé) ou Safari® avec OS X®
- Chrome™ ou Firefox® avec les autres systèmes d'exploitation.


Pour plus d'informations concernant l'utilisation du produit, consultez le manuel de l'utilisateur disponible sur le site www.axis.com

Réinitialiser les paramètres par défaut

⚠ATTENTION

 Risques de blessures. Pièces mobiles. Restez à l'écart du produit lorsqu'il est en cours de fonctionnement. Débranchez l'alimentation électrique avant d'installer le produit ou d'effectuer son entretien.

⚠ATTENTION

 Risques de blessures. Surfaces chaudes. Ne touchez pas le produit lorsqu'il est en cours de fonctionnement. Débranchez l'alimentation électrique et laissez les surfaces refroidir avant d'effectuer l'entretien du produit.

AVIS

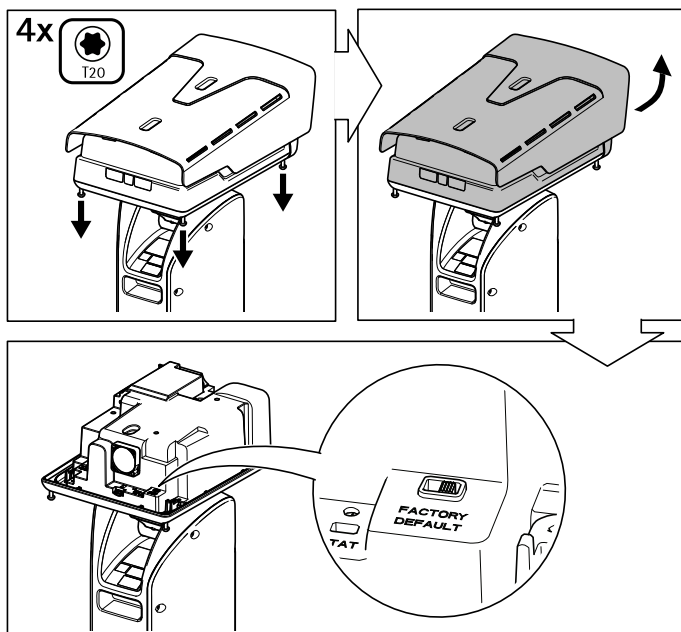
La dépose du couvercle supérieur expose des parties de la caméra visuelle sensibles aux chocs. Évitez de toucher la caméra sans protection avec le couvercle supérieur lors du démontage.

Important

La restauration des paramètres par défaut doit être effectuée avec prudence. Cette opération reconfigure tous les paramètres, y compris l'adresse IP, aux valeurs d'usine par défaut.

Note

Les logiciels d'installation et de gestion sont disponibles sur les pages d'assistance du site www.axis.com/support/downloads



1. Déconnectez l'alimentation de l'appareil.
2. Desserrez les quatre vis du couvercle supérieur pour le retirer.
3. Modifiez la position du commutateur Valeurs par défaut.
4. Replacez le couvercle supérieur et serrez les vis (couple de 2,0 Nm).
5. Remettez le produit sous tension.

Vous pouvez également rétablir les paramètres d'usine via les pages Web du produit. Cliquez sur **Paramètres > Système > Maintenance**, puis sur **Défaut**.

Informations complémentaires

- Pour obtenir la version la plus à jour de ce document, voir axis.com
- Le manuel d'utilisateur est disponible sur le site axis.com
- Pour vérifier s'il existe un firmware mis à jour pour votre appareil, voir axis.com/support
- Pour accéder à des formations et webinaires en ligne utiles, voir axis.com/academy

FR

Accessoires en option

Pour une liste complète des accessoires disponibles pour ce produit, accédez à la page du produit sur axis.com et sélectionnez Logiciel et accessoires.

Informations sur la garantie


Pour plus d'informations sur la garantie du produit Axis et les informations connexes, rendez-vous sur axis.com/warranty

Caractéristiques


Pour obtenir la dernière version de la fiche technique du produit, rendez-vous sur la page du produit sur le site axis.com et trouvez l'option Assistance et documentation.

Fente pour carte SD

⚠ATTENTION

 Risques de blessures. Pièces mobiles. Restez à l'écart du produit lorsqu'il est en cours de fonctionnement. Débranchez l'alimentation électrique avant d'installer le produit ou d'effectuer son entretien.

⚠ATTENTION

 Risques de blessures. Surfaces chaudes. Ne touchez pas le produit lorsqu'il est en cours de fonctionnement. Débranchez l'alimentation électrique et laissez les surfaces refroidir avant d'effectuer l'entretien du produit.

AVIS

- Risque de dommages à la carte SD. N'utilisez pas d'outils tranchants ou d'objets métalliques pour insérer ou retirer la carte SD, et ne forcez pas lors son insertion ou de son retrait. Utilisez vos doigts pour insérer et retirer la carte.
- Risque de perte de données et d'enregistrements corrompus. Ne retirez pas la carte SD pendant que le produit fonctionne. Démontez la carte SD de la page Web du produit avant de la retirer.

Cet appareil est compatible avec des cartes microSD/microSDHC/microSDXC (cartes non fournies).

Pour des recommandations sur les cartes SD, consultez axis.com

Connecteurs

Connecteur réseau

Connecteur Ethernet RJ45.

Connecteur SFP.

AVIS

Le produit doit être connecté à l'aide d'un câble réseau blindé (STP) ou d'un câble à fibres optiques. Tous les câbles reliant le produit au commutateur réseau doivent être destinés à leur usage spécifique. Assurez-vous que les périphériques réseau sont installés conformément aux instructions du fabricant. Pour plus d'informations sur les exigences réglementaires, consultez *Electromagnetic compatibility (EMC) on page 4*.

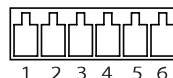
Connecteur d'E/S

Utilisez le connecteur d'E/S avec des périphériques externes, associés aux applications telles que la détection de mouvement, le déclenchement d'événements et les notifications d'alarme. En plus du point de référence 0 V CC et de l'alimentation (sortie CC), le connecteur d'E/S fournit une interface aux éléments suivants :

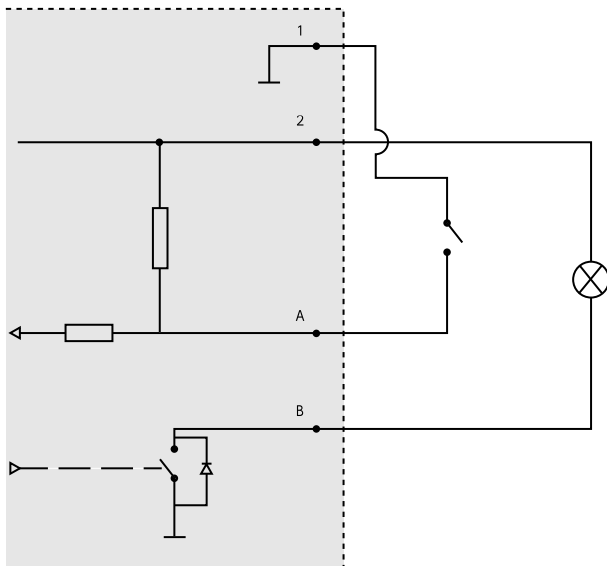
Entrée numérique – Pour connecter des dispositifs pouvant passer d'un circuit ouvert à un circuit fermé, par exemple capteurs infrarouge passifs, contacts de porte/fenêtre et détecteurs de bris de verre.

Sortie numérique – Permet de connecter des dispositifs externes, comme des relais ou des voyants. Les appareils connectés peuvent être activés par l'interface de programmation VAPIX® ou dans les pages Web des produits.

Bloc terminal configurable à 6 broches



Fonction	Broche	Remarques	Caractéristiques
0 V CC (-)	1	Masse CC	0 V CC
Sortie CC	2	Peut servir à alimenter le matériel auxiliaire. Remarque : cette broche ne peut être utilisée que comme sortie d'alimentation.	12 V CC Charge max. = 50 mA
Configurable (entrée ou sortie)	3-6	Entrée numérique – Connectez-la à la broche 1 pour l'activer ou laissez-la flotter (déconnectée) pour la désactiver.	0 à 30 V CC max.
		Sortie numérique – Connectée à la broche 1 lorsqu'elle est activée, flotte (déconnectée) lorsqu'elle est désactivée. Si vous l'utilisez avec une charge inductive, par exemple un relais, une diode doit être connectée en parallèle avec la charge, en guise de protection contre les tensions transitoires.	0 à 30 V CC max., drain ouvert, 100 mA



- 1 0 V CC (-)
- 2 Sortie CC 12 V, maxi. 50 mA
- A Entrée/sortie configurée comme entrée
- B Entrée/sortie configurée comme sortie

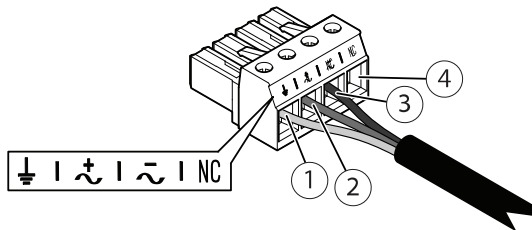
Connecteur d'alimentation

Bloc terminal à 4 broches pour l'alimentation.

Connecteur d'alimentation 24 V CA/CC

AVIS

Cette section concerne les produits alimentés en 24 V CA et 24 V CC uniquement.



Position	24 V CA	24 V CC
1	Terre de protection	Terre de protection
2	Phase 24 V CA	+ 24 V
3	24 V CA Neutre	0 V
4	Non connecté	Non connecté

Câbles

Épaisseur du câble

Le diamètre du câble, lors de l'utilisation de joints de câble fournis avec le produit, doit être comprise entre 5 et 11 mm (0,2 à 0,4 po).

AVIS

- Utilisez des câbles adaptés à la zone spécifiée
- Sélectionnez des câbles conformes à la législation locale
- Assurez-vous que les passages de câbles sont correctement scellés
- Utilisez des joints de câble et des presse-étoupes adaptés aux passages de câbles et à la zone de câble

Pour plus d'informations sur les accessoires, tels que les joints de câble et les presse-étoupes adaptés à d'autres zones de câble, consultez www.axis.com

Conditions d'utilisation

Le produit Axis est destiné à un usage en intérieur et en extérieur.

Température	Humidité
Température de fonctionnement : De -50°C à 55°C (-58°F à 131°F) Démarrage à froid (temps de démarrage < 1h, à entièrement fonctionnel) : -40°C (-40°F)	10–100 % HR (sans condensation)

Consommation d'énergie

Produit	Consommation type	Consommation maximale
AXIS Q8741-E 24 V CA/CC AXIS Q8742-E 24 V CA/CC	16 W	204 W

Important

*En cas d'utilisation d'un câble AXIS de 22 m (72 pi) 24 V CC/24–240 V CA, une alimentation capable de fournir 300 W est nécessaire pour compenser la perte d'alimentation dans le câble.

AVIS

Les valeurs de consommation électrique standard sont basées sur les éléments suivants :

- Toutes les pertes dans le câble d'alimentation sont ignorées
- Aucun moteurs panoramique/inclinaison/zoom/ essuie-glace actifs
- Température à 25°C (tous les régulateurs de chaleur éteints)
- Un flux H.264 à résolution maximale
- Flux MJPEG enregistré sur la carte SD

Sicherheitsinformationen

Gefährdungsstufen

▲GEFAHR

Weist auf eine gefährliche Situation hin, welche, falls nicht verhindert, zu Tod oder schweren Verletzungen führen kann.

▲WARNUNG

Weist auf eine gefährliche Situation hin, welche, falls nicht verhindert, zu Tod oder schweren Verletzungen führen kann.

▲VORSICHT

Weist auf eine gefährliche Situation hin, welche, falls nicht verhindert, zu geringfügiger oder mäßiger Verletzung führen kann.

HINWEIS

Weist auf eine gefährliche Situation hin, welche, falls nicht verhindert, zu Sachschäden führen kann.

Andere Meldeebenen

Wichtig

Weist auf wichtige Informationen hin, die den richtigen Betrieb des Produkts gewährleisten.

Beachten

Weist auf nützliche Informationen hin, die die optimale Verwendung des Produkts unterstützen.

Sicherheitsanweisungen


▲GEFAHR

Stromschlaggefahr. Vor der Installation oder Wartung des Produkts muss sichergestellt werden, dass an keinem der Kabel Spannung anliegt.


▲WARNUNG

Das Axis Produkt muss von fachmännischem Personal und unter Einhaltung der örtlich geltenden Bestimmungen installiert werden.

▲VORSICHT

 Verletzungsgefahr Gefahr durch bewegliche Teile Körperteile während des Betriebs vom Produkt fernhalten. Vor der Installation oder Wartung des Produkts alle Kabel von der Stromversorgung abklemmen.

▲VORSICHT

 Verletzungsgefahr Heiße Oberfläche Das Produkt während des Betriebs nicht berühren. Vor der Wartung des Produkts die Oberflächen abkühlen lassen.

HINWEIS

- Das Axis-Produkt muss unter Beachtung der geltenden Gesetze und Bestimmungen betrieben werden.
- Lagern Sie das Axis Produkt in einer trockenen und belüfteten Umgebung.
- Das Axis-Produkt weder Stößen noch starkem Druck aussetzen.
- Das Produkt nicht an instabilen Masten, Halterungen, Oberflächen oder Wänden anbringen.
- Verwenden Sie bei der Installation des Axis Produkts ausschließlich passende Werkzeuge. Ein zu großer Kraftaufwand mit elektrischen Werkzeugen kann das Produkt beschädigen.
- Verwenden Sie keine chemischen, ätzenden oder aerosolhaltigen Reinigungsmittel.
- Verwenden Sie zum Reinigen ein sauberes, mit destilliertem Wasser angefeuchtetes Tuch.
- Verwenden Sie nur Zubehör, das den technischen Vorgaben Ihres Produkts entspricht. Dieses ist von Axis oder Drittanbietern erhältlich. Axis empfiehlt die mit Ihrem Produkt kompatible Stromversorgung von Axis.
- Verwenden Sie ausschließlich Ersatzteile die von Axis angeboten oder empfohlen werden.
- Versuchen Sie nicht, dieses Produkt selbsttätig zu reparieren. Wenden Sie sich bezüglich Reparatur und Wartung an den Axis Support oder Ihren Axis Händler.
- Richten Sie das Kameraobjektiv nicht direkt auf die Sonne oder andere starke Lichtquellen, um eine Beschädigung der Kamera zu vermeiden.

Transport

HINWEIS

- Bei Bedarf transportieren Sie das Axis Produkt in der Originalverpackung oder einer entsprechenden Verpackung, so dass Schäden vermieden werden.

Batterie

Das Axis Produkt ist mit einer 3,0-V-BR2032-Lithium-Batterie ausgestattet, mit der die interne Echtzeituhr (RTC) versorgt wird. Unter normalen Bedingungen hat die Batterie eine Lebensdauer von mindestens fünf Jahren.

Eine ungenügend geladene Batterie beeinträchtigt den Betrieb der Echtzeituhr, die dann bei jedem Systemstart zurückgesetzt wird. Sie erhalten eine Protokollnachricht im Serverbericht des Produkts, wenn ein Batteriewechsel erforderlich ist. Weitere Informationen über den Serverbericht finden Sie auf den Setup-Seiten des Produkts, oder wenden Sie sich an den Axis Support.

Die Batterie nur bei Bedarf ersetzen. Wenden Sie sich in diesem Fall unter axis.com/support an den Support von Axis.

Lithium-Knopfzellen (3,0 V) enthalten 1,2-Dimethoxyethan; Ethylenglycoldimethylether (EGDME), CAS-Nr. 110-71-4.

⚠WARNUNG

- Explosionsgefahr bei fehlerhaftem Batteriewechsel.
- Die Batterie darf nur durch eine identische Batterie oder eine von Axis empfohlene Batterie ersetzt werden.
- Verbrauchte Batterien sind gemäß den örtlichen Vorschriften oder den Anweisungen des Herstellers zu entsorgen.

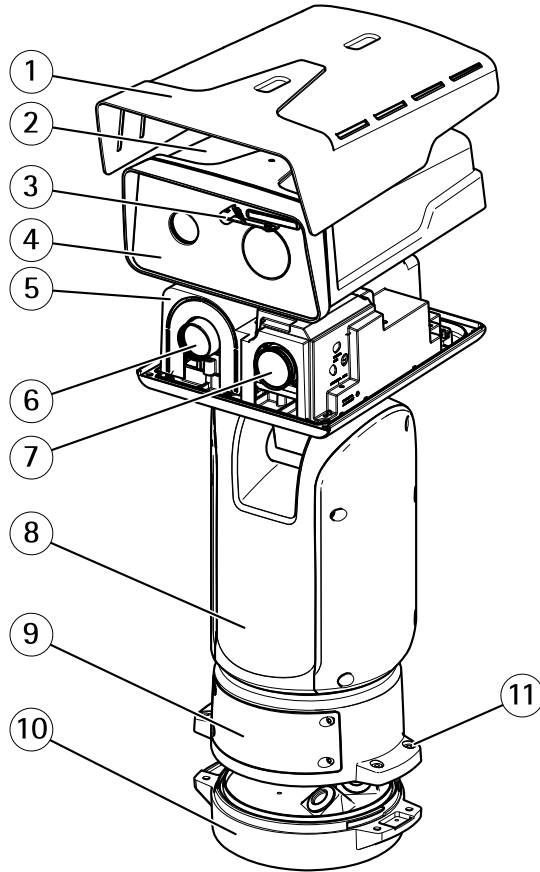
AXIS Q87 Bispectral PTZ Network Camera Series

Lieferumfang

- Bispektrale PTZ-Netzwerkamera AXIS Q87
- Netzanschluss
- E/A-Anschluss
- Torx® Bits T20 und T30
- Montagewerkzeug für RJ-45
- Gedrucktes Material
 - Installationsanleitung (dieses Dokument)
 - Zusätzliche Etiketten mit der Seriennummer (2 St.)
 - AVHS-Authentifizierungsschlüssel

Übersicht über die Hardware

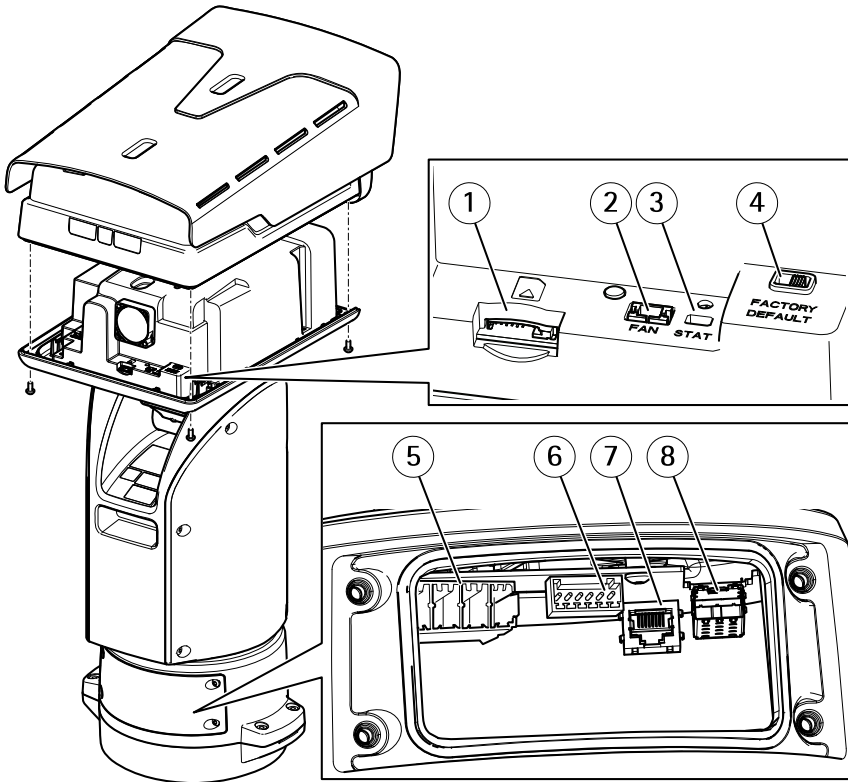
Die technischen Daten für Hardwarekomponenten finden Sie unter *Technische Daten auf Seite 80*.



- 1 Wetterschutz
- 2 Obere Abdeckung
- 3 Wischer
- 4 Front mit Schutzfolie
- 5 Innere Abdeckung
- 6 Wärmebildobjektiv
- 7 Lichtbildobjektiv
- 8 Positionierungseinheit

AXIS Q87 Bispectral PTZ Network Camera Series

- 9 Deckel
- 10 Basiseinheit
- 11 Schrauben der Basiseinheit



- 1 *SD-Speicherkarteneinschub (microSDHC UHS-I/microSDXC UHS-I)*
- 2 *Lüfteranschluss*
- 3 *LED Statusanzeige*
- 4 *Werkseinstellungsschalter*
- 5 *Anschluss Stromversorgung*
- 6 *E/A-Anschluss*
- 7 *Anschluss RJ-45*
- 8 *SFP-Einschub für SFP-Module (SFP-Modul nicht enthalten)*

Installieren des Produkts


▲GEFAHR

Stromschlaggefahr Vor der Installation oder Wartung des Produkts müssen alle Kabel von der Stromversorgung abgeklemmt werden.


▲VORSICHT

Die Installation der elektrischen Anschlüsse und Kabelkanäle darf nur von einem zugelassenen Elektriker in Übereinstimmung mit den geltenden Bestimmungen vorgenommen werden.

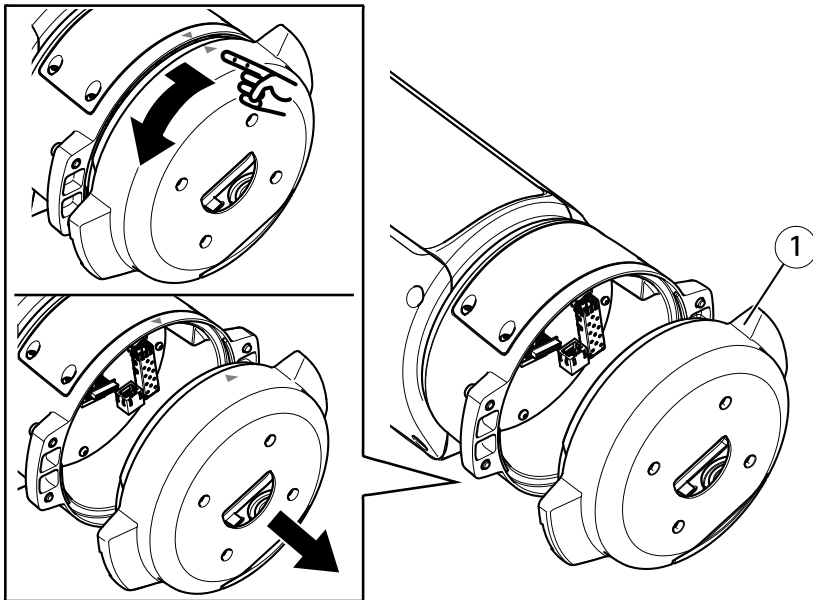
▲VORSICHT

 Verletzungsgefahr Gefahr durch bewegliche Teile Körperteile während des Betriebs vom Produkt fernhalten. Vor der Installation oder Wartung des Produkts alle Kabel von der Stromversorgung abklemmen.

▲VORSICHT

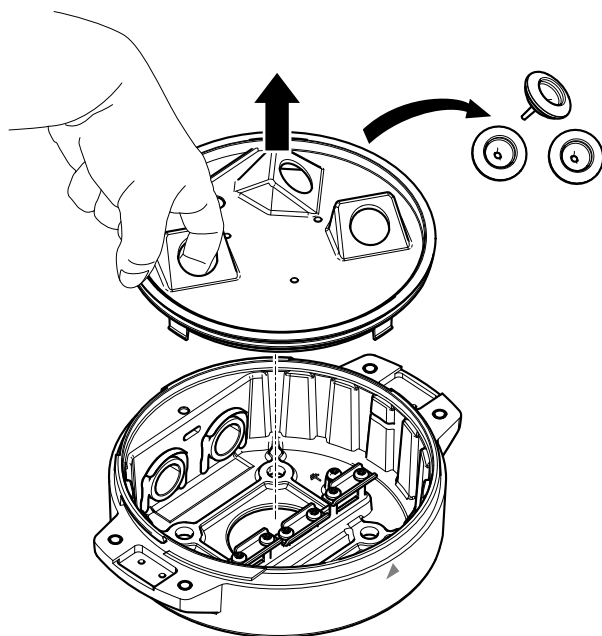
 Verletzungsgefahr Heiße Oberfläche Das Produkt während des Betriebs nicht berühren. Vor der Wartung des Produkts die Oberflächen abkühlen lassen.

Montieren der Gerätebasis



1 Gerätebasis

1. Die vier Schrauben (T30) der Gerätebasis entfernen.
2. Die Gerätebasis gleichzeitig ziehen und gegen den Uhrzeigersinn drehen, bis die Pfeile auf der Gerätebasis und dem Rest des Geräts in einer Linie stehen.
3. Die Gerätebasis entfernen.

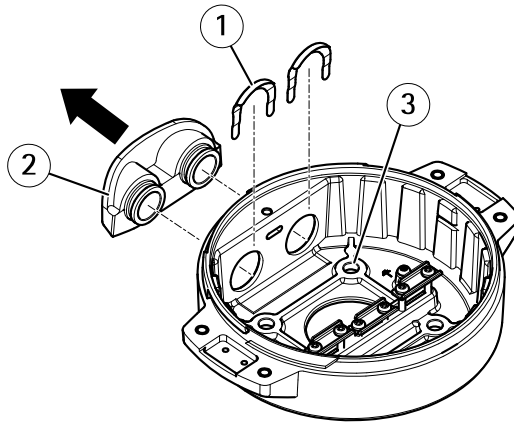


DE

HINWEIS

Beim Entfernen der transparenten Abdeckung der Gerätebasis keine spitzen Werkzeuge verwenden.

4. Die transparente Abdeckung der Gerätebasis entfernen.



- 1 *Klammer der Kabelführung*
- 2 *Abdeckung der Kabelführung*
- 3 *Schraubenbohrung (4 x)*

- 5. Nur bei Installationen über die Kabelführung: Zuerst die beiden Klammern der Kabelführung und anschließend die Abdeckung der Kabelführung entfernen.
- 6. Die Gerätebasis mit geeigneten Befestigungselementen für die vier Schraubenbohrungen an der Befestigungsfläche anbringen.

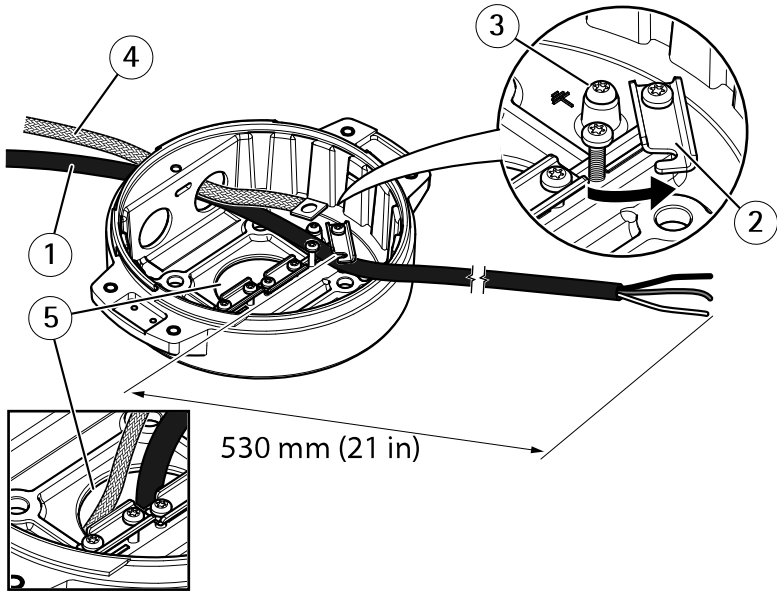
Die Kabel verlegen

⚠WARNUNG

Stromschlaggefahr Das Produkt muss geerdet werden. Dazu müssen sowohl der Schutzleiter im Stromversorgungskabel als auch das Erdungsband verwendet werden. Sicherstellen, dass beide Enden des Schutzleiters und des Erdungsbandes Kontakt mit den entsprechenden Erdungsflächen haben.

Wichtig

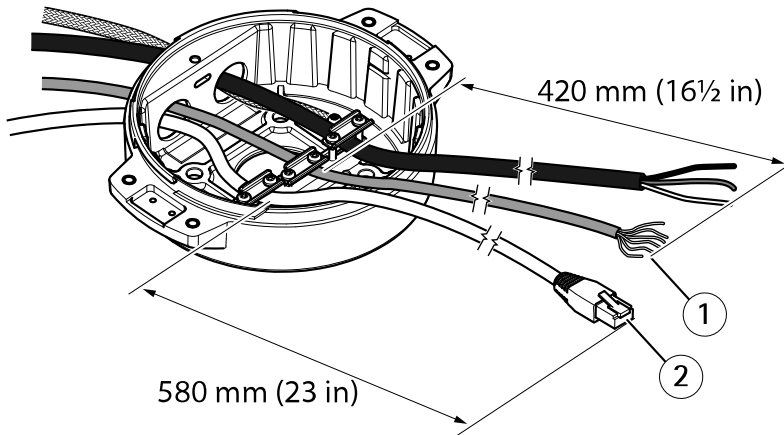
Nur Kabel mit dem vorgegebenen Kabelquerschnitt verwenden. Weitere Informationen finden Sie unter *Kabelstärke auf Seite 82*.



- 1 *Stromversorgungskabel (nicht im Lieferumfang enthalten)*
- 2 *Zugentlastung*
- 3 *Masseschraube*
- 4 *Erdungsband (nicht im Lieferumfang enthalten)*
- 5 *Kabelöffnung unten*

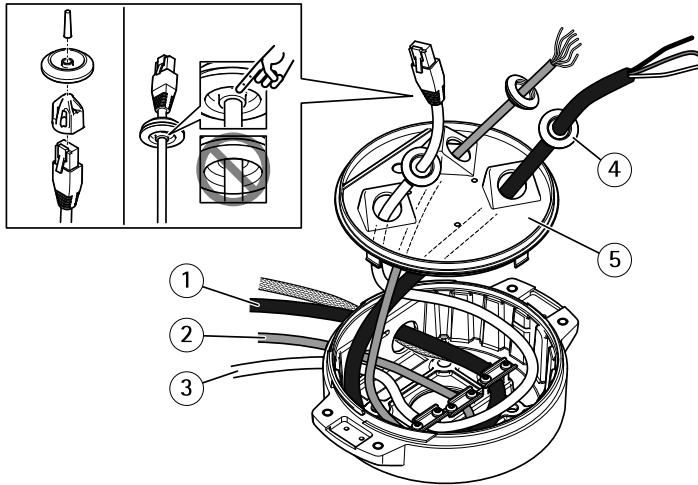
1. Die optionalen Kabelführungsadapter installieren (nicht im Lieferumfang enthalten).
2. Das Erdungskabel mit der Erdungsschraube befestigen.
3. Die Kabel für Stromversorgung, Netzwerk und E/A einschließlich der Kabelverschraubungen wie in der Abbildung oben durch die Öffnung des Basisgeräts führen. Alternativ die Kabel durch die untere Kabelöffnung einführen.
4. Das Stromversorgungskabel durch die Zugentlastung führen. Dabei eine Länge von 530 mm zwischen Zugentlastung und Kabelende einhalten.

AXIS Q87 Bispectral PTZ Network Camera Series



- 1 E/A-Kabel (optional, nicht im Lieferumfang enthalten)
- 2 Netzwerkkabel (nicht im Lieferumfang enthalten)

5. Das E/A-Kabel (optional) durch die Zugentlastung führen. Dabei eine Länge von 420 mm zwischen Zugentlastung und Kabelende einhalten.
6. Das Netzwerkkabel (Glasfaser oder Kabeltyp RJ-45) durch die Zugentlastung führen. Dabei eine Länge von 580 mm zwischen Zugentlastung und Anschlussende einhalten. Weitere Informationen zu den verschiedenen Anschlussoptionen an das Netzwerk, siehe *Einrichten der Netzwerkverbindung auf Seite 74*.
7. Die drei Zugentlastungen schließen und anziehen.



- 1 Stromversorgungskabel (nicht im Lieferumfang enthalten)
- 2 E/A-Kabel (optional, nicht im Lieferumfang enthalten)
- 3 Netzkabel (nicht im Lieferumfang enthalten)
- 4 Kabeldichtung
- 5 Transparente Abdeckung der Gerätebasis

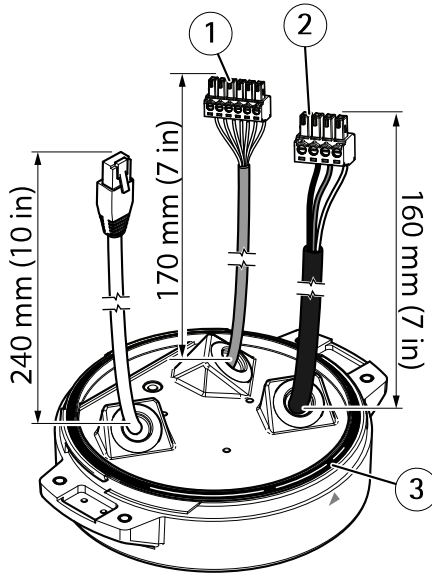
8. Die Kabeldichtungen auf die Kabel schieben. Siehe *Kabelstärke auf Seite 82*.
9. Die Kabel für Stromversorgung, Netzwerk und E/A einschließlich der Kabeldichtungen durch die Öffnungen der transparenten Abdeckung der Gerätebasis führen und die Kabel wie in der Abbildung oben dargestellt ausrichten.

HINWEIS

Wird sowohl ein Glasfaserkabel als auch ein Kabel des Typs RJ-45 verwendet, das Glasfaserkabel durch dieselbe Kabeldichtung führen wie das E/A-Kabel. Gegen das Eindringen von Feuchtigkeit zwischen Kabeln und Kabeldichtung ein Dichtmittel verwenden. Weitere Informationen zu verschiedenen Anschlussoptionen an das Netzwerk, siehe *Einrichten der Netzwerkverbindung auf Seite 74*.

10. Die transparente Abdeckung der Gerätebasis wieder aufsetzen und die Kabeldichtungen in die Öffnungen schieben.

AXIS Q87 Bispectral PTZ Network Camera Series



- 1 E/A-Anschluss
- 2 Netzanschluss
- 3 O-Ring

HINWEIS

Sicherstellen, dass die Erdungsleitung etwa 10 mm länger ist als die beiden anderen Leitungen (im Stromversorgungskabel), sodass diese bei Zugbelastung nicht unbeabsichtigt getrennt wird.

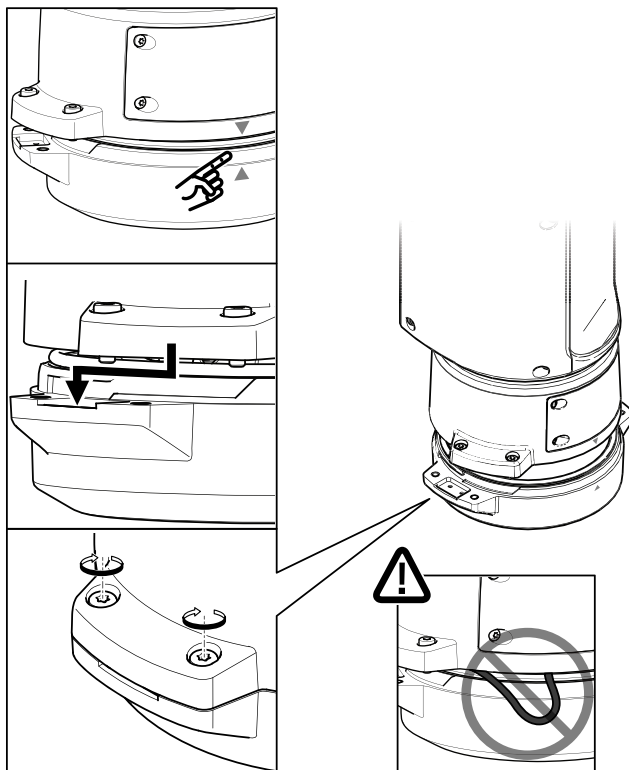
Beachten

Der Einbau wird erleichtert, wenn das Stromversorgungskabel etwa 70 mm und das E/A-Kabel etwa 90 mm abisoliert wird.

11. Zum Einbau der Stromversorgungs- und E/A-Anschlüsse siehe *Anschlüsse auf Seite 80*.
12. Die Kabel für Netzwerk, E/A und Stromversorgung so ausrichten, dass die Länge zwischen Kabeldichtung und Ende des Anschlusses jeweils 240 mm, 170 mm und 160 mm beträgt.

HINWEIS

Sicherstellen, dass der O-Ring richtig um die transparente Abdeckung der Gerätebasis herum eingepasst ist.

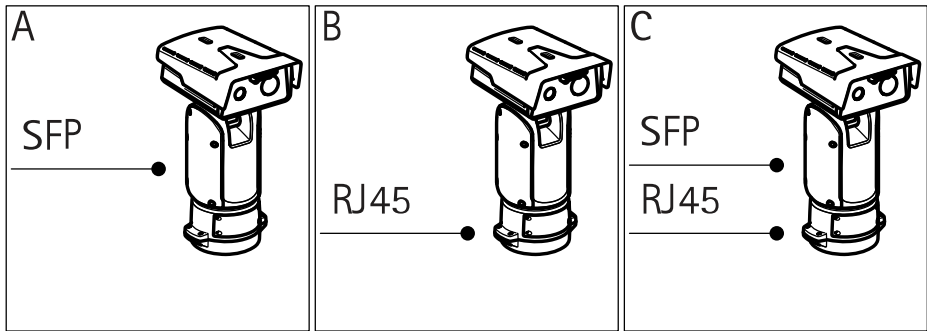


13. Das Positionierungsgerät wieder an der Gerätebasis anbringen und dabei sicherstellen, dass die Pfeile der beiden Geräte in einer Linie stehen.
14. Die Positionierungseinheit im Uhrzeigersinn in ihre Ausgangsstellung drehen und die vier Schrauben der Grundeinheit anziehen (Drehmoment 3,0 Nm).

HINWEIS

Sicherstellen, dass die Kabel beim Zusammenbauen der beiden Geräte nicht gequetscht werden.

Einrichten der Netzwerkverbindung



Es gibt verschiedenen Optionen, die Netzwerkverbindung einzubauen:

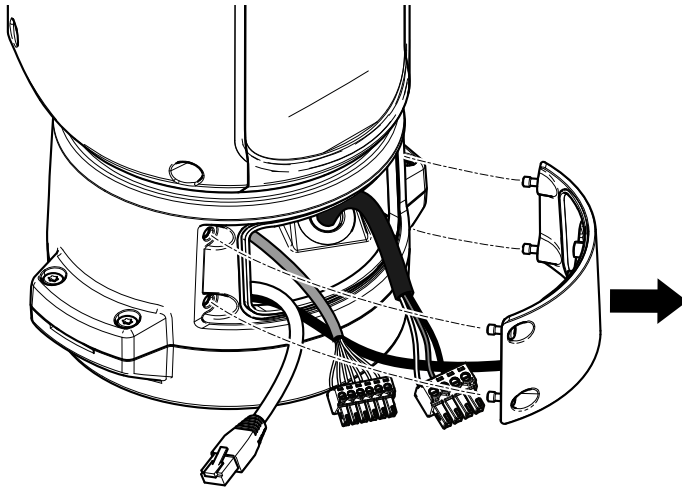
- A: Mithilfe eines Glasfaserkabels oder eines Kabels des Typs RJ-45, das (mit einem entsprechenden Anschluss) an das SFP-Modul im SFP-Einschub angeschlossen wird.
- B: Mithilfe eines Anschlusses des Typs RJ-45 an den festen Anschluss des Typs RJ-45.
- C: Mithilfe beider oben angeführten Möglichkeiten. In diesem Fall agiert der Anschluss über das SFP-Modul als die primäre Netzwerkverbindung und die Verbindung über den festen Anschluss des Typs RJ-45 als Fail-Over-Anschluss.

Weitere Informationen zur Lage der Netzwerksteckverbindungen, siehe *Anschlüsse auf Seite 80*.

Beachten

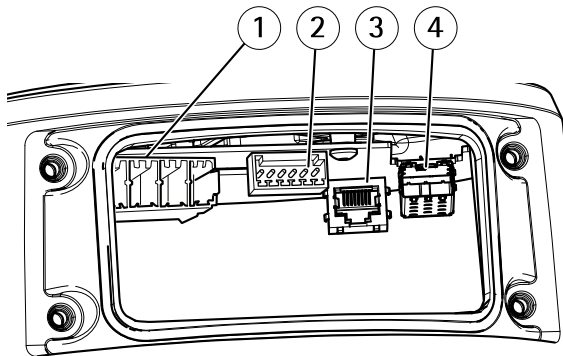
- SFP-Modul nicht im Lieferumfang enthalten. Weitere Informationen zu lieferbaren SFP-Modulen, siehe www.axis.com.
- Die Netzwerkverbindung ausschließlich über das Glasfaserkabel mittels des entsprechenden SFP-Moduls dient als eigenständige Lösung für Kabelinstallationen mit großer Reichweite.

Anschließen der Kabel



DE

1. Die vier Deckelschrauben (T20) lösen und den Deckel abnehmen.

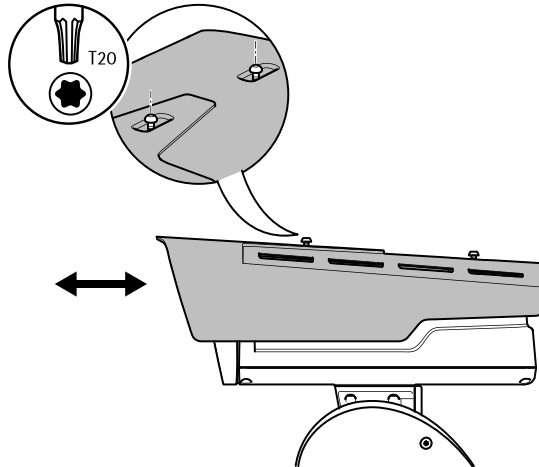


- 1 *Stromversorgungsanschluss Eingang*
 - 2 *E/A-Anschluss*
 - 3 *RJ-45-Anschluss*
 - 4 *SFP-Einschub für SFP-Module (SFP-Modul nicht enthalten)*
2. Das Netzwerk (Glasfaser und/oder RJ-45), E/A und die Stromversorgung anschließen
Weitere Informationen zu verschiedenen Anschlussoptionen an das Netzwerk, siehe *Einrichten der Netzwerkverbindung auf Seite 74.*

AXIS Q87 Bispectral PTZ Network Camera Series

3. Den Deckel austauschen und die vier Deckelschrauben anziehen (Drehmoment 3,0 Nm).
4. Das Produkt an die Stromversorgung anschließen.

Den Wetterschild einstellen



1. Die beiden Schrauben des Wetterschildes lösen.
2. Den Wetterschild in die gewünschte Position stellen.
3. Die beiden Schrauben des Wetterschildes anziehen (Drehmoment 0,8 Nm)

Zugriff auf das Produkt

Für die Suche nach Axis Produkten im Netzwerk und die Zuweisung einer IP-Adresse unter Windows® werden AXIS IP Utility und AXIS Camera Management empfohlen. Beide Anwendungen sind kostenlos und können von www.axis.com/support heruntergeladen werden.


Das Produkt kann mit den folgenden Browsern verwendet werden:

- Chrome™ (empfohlen), Firefox®, Edge® oder Opera® unter Windows®
- Chrome™ (empfohlen) und Safari® unter OS X®
- Chrome™ oder Firefox® unter anderen Betriebssystemen.


Weitere Informationen zur Nutzung dieses Produkts finden Sie im Benutzerhandbuch unter www.axis.com.

Zurücksetzen auf Werkseinstellungen

▲VORSICHT

 Verletzungsgefahr Gefahr durch bewegliche Teile Körperteile während des Betriebs vom Produkt fernhalten. Vor der Installation oder Wartung des Produkts alle Kabel von der Stromversorgung abklemmen.

▲VORSICHT

 Verletzungsgefahr Heiße Oberfläche Das Produkt während des Betriebs nicht berühren. Vor der Wartung des Produkts die Stromversorgung trennen und die Oberflächen abkühlen lassen.

HINWEIS

Wenn die obere Abdeckung entfernt ist, liegen stoßempfindliche Teile der Lichtbildkamera frei. Beim Auseinanderbauen die obere Abdeckung nicht gegen die ungeschützte Kamera schlagen lassen.

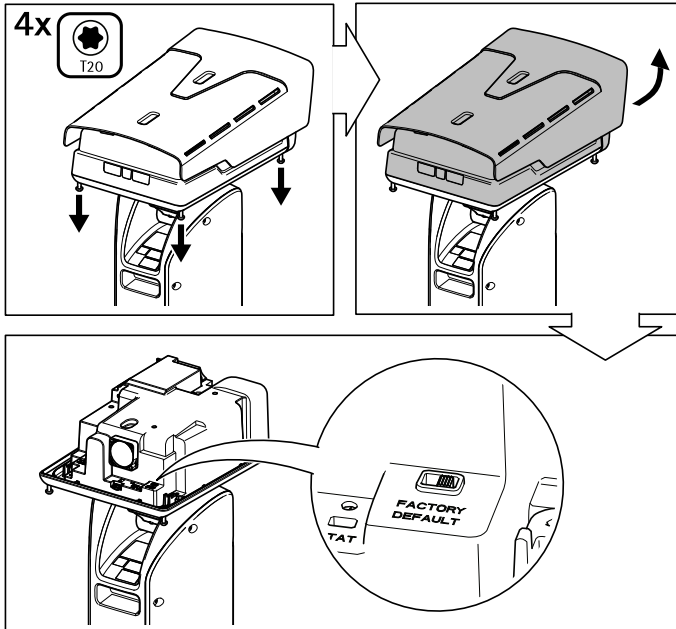
Wichtig

Das Zurücksetzen auf die Werkseinstellungen muss mit Umsicht geschehen. Beim Zurücksetzen auf die Werkseinstellungen werden alle Einstellungen einschließlich der IP-Adresse auf die Werkseinstellungen zurückgesetzt.

Beachten

Die Software-Tools für die Installation und Verwaltung sind über die Supportseiten unter www.axis.com/support/downloads verfügbar.

AXIS Q87 Bispectral PTZ Network Camera Series



1. Das Produkt von der Stromversorgung trennen.
2. Die vier Schrauben der oberen Abdeckung lösen und die Abdeckung abnehmen.
3. Die Stellung des Werkseinstellungsschalters ändern.
4. Die obere Abdeckung wieder anbringen und die Schrauben anziehen (Drehmoment 2,0 Nm).
5. Das Produkt wieder an die Stromversorgung anschließen.

Die Parameter können auch über die Weboberfläche des Produkts auf die Werkseinstellungen zurückgesetzt werden. **Einstellungen > System > Wartung** aufrufen und **Werkseinstellungen** anklicken.

Weitere Informationen

- Die aktuelle Version dieses Dokuments finden Sie auf axis.com
- Das Benutzerhandbuch steht auf axis.com zur Verfügung.
- Unter axis.com/support finden Sie die aktuellen Firmwareversionen für Ihr Gerät.
- Nützliches Onlinetraining und Webinare finden Sie unter axis.com/academy.

Optionales Zubehör

Eine vollständige Liste lieferbaren Zubehörs für dieses Produkt finden Sie auf axis.com unter Produkt, Software und Zubehör.

DE

Gewährleistungsinformationen

Informationen zur Gewährleistung für Axis-Produkte und andere in diesem Zusammenhang relevante Informationen finden Sie unter axis.com/warranty

Technische Daten

Die aktuelle Version des technischen Datenblatts für das Produkt finden Sie auf axis.com unter **Support und Dokumentation**.

Einschub für SD-Speicherkarte

▲VORSICHT



Verletzungsgefahr Gefahr durch bewegliche Teile Körperteile während des Betriebs vom Produkt fernhalten. Vor der Installation oder Wartung des Produkts alle Kabel von der Stromversorgung abklemmen.

▲VORSICHT



Verletzungsgefahr Heiße Oberfläche Das Produkt während des Betriebs nicht berühren. Vor der Wartung des Produkts die Oberflächen abkühlen lassen.

HINWEIS

- Gefahr von Schäden an der SD-Karte. Beim Einsetzen oder Entfernen der SD-Karte keine scharfen Werkzeuge oder Gegenstände aus Metall benutzen und keine übermäßige Kraft anwenden. Setzen Sie die Karte per Hand ein. Das Gleiche gilt für das Entfernen.
- Gefahr von Datenverlust und Beschädigung von Aufzeichnungen. Die SD-Karte darf nicht entfernt werden, während das Produkt in Betrieb ist. Vor dem Ausbau der SD-Karte diese von der Webseite des Produkts trennen.

Dieses Produkt unterstützt microSD-/microSDHC-/microSDXC-Karten (separat erhältlich).

Empfehlungen zu SD-Karten finden Sie auf axis.com.

Anschlüsse

Netzwerkanschluss

RJ45-Ethernetanschluss.

SFP-Anschluss.

HINWEIS

Das Produkt muss mit einem abgeschirmten Netzkabel (STP) oder einem Glasfaserkabel angeschlossen werden. Alle Kabel, die das Produkt mit dem Netzwerkschalter verbinden, müssen hierfür ausgelegt sein. Stellen Sie sicher, dass die Netzwerkgeräte gemäß den Anweisungen des Herstellers installiert wurden. Informationen zu gesetzlichen Bestimmungen finden Sie unter *Electromagnetic compatibility (EMC) on page 4*.

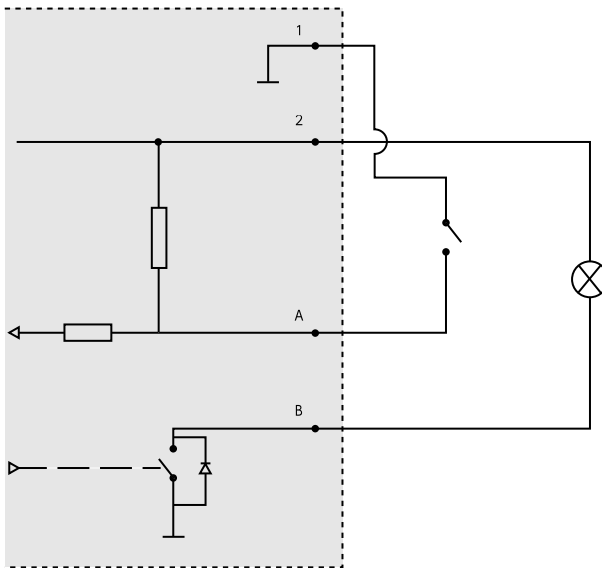
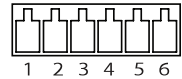
E/A-Anschluss

Über den E/A-Anschluss werden externe Geräte in Verbindung mit Manipulationsalarmen, Bewegungserkennung, Ereignisauslösung, Alarmbenachrichtigungen und anderen Funktionen angeschlossen. Außer dem Bezugspunkt 0 V Gleichstrom und Strom (Gleichstromausgang) besitzt der E/A-Anschluss über eine Schnittstelle zum:

Digitaleingang – Zum Anschluss von Geräten, die zwischen geöffnetem und geschlossenem Schaltkreis wechseln können wie etwa PIR-Sensoren, Tür- und Fensterkontakte sowie Glasbruchmelder.

Digitalausgang – Zum Anschluss externer Geräte wie Relais und LEDs. Angeschlossene Geräte können über das VAPIX® Application Programming Interface oder über die Produktwebsite aktiviert werden.

6-poliger konfigurierbarer Anschlussblock



- 1 0 V Gleichstrom (-)
- 2 Gleichstromausgang 12 V, max. 50 mA
- A E/A als Eingang konfiguriert
- B E/A als Ausgang konfiguriert

AXIS Q87 Bispectral PTZ Network Camera Series

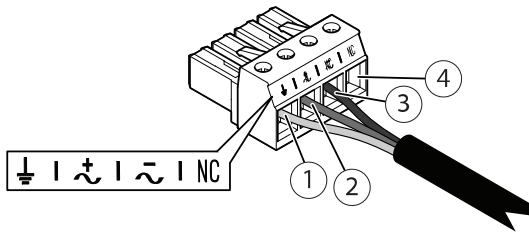
Netzanschluss

4-poliger Anschlussblock für den Stromeingang.

Netzanschluss 24 V, Wechselstrom/Gleichstrom

HINWEIS

Dieser Abschnitt bezieht sich nur auf Produkte mit Stromversorgung 24 V Wechselstrom und 24 V Gleichstrom.



Position	24 V Wechselstrom	24 V Gleichstrom
1	Schutzerde	Schutzerde
2	Phase 24 V Wechselstrom	+ 24 V
3	Nullleiter 24 V Wechselstrom	0 V
4	Nicht verbunden	Nicht verbunden

Kabel

Kabelstärke

Wenn die dem Produkt beiliegenden Kabeldichtungen verwendet werden, muss der Kabeldurchmesser zwischen 5 und 11 mm liegen.

HINWEIS

- Kabel verwenden, die der Querschnittsvorgabe entsprechen.
- Kabel verwenden, die den örtlichen Vorschriften entsprechen.
- Sicherstellen, dass alle Kabeldurchführungen ordnungsgemäß abgedichtet sind.
- Kabeldichtungen oder Kabelverschraubungen verwenden, die sowohl der Kabeldurchführung als auch dem Kabelquerschnitt entsprechen.

Für Informationen zu Zubehör wie Kabeldichtungen und Kabelverschraubungen für andere Kabelquerschnitte, siehe <1>www.axis.com.

Betriebsbedingungen

Das Axis-Produkt eignet sich sowohl für den Innen- als auch für den Außenbereich.

Temperatur	Luftfeuchtigkeit
Betriebstemperatur: -50 °C bis +55 °C Kaltstart (<1 Stunde Startzeit, bis voll funktionsfähig): -40 °C	Relative Luftfeuchtigkeit 10 bis 100 % (nicht kondensierend)

DE

Leistungsaufnahme

Produkt	Typischer Stromverbrauch	Max. Stromverbrauch
AXIS Q8741-E 24 V Wechselstrom/Gleichstrom AXIS Q8742-E 24 V Wechselstrom/Gleichstrom	16 W	204 W

Wichtig

Bei Verwendung des AXIS-Kabels 24 V Gleichstrom/24–240 V Wechselstrom mit 22 m Länge muss das Stromversorgungskabel 300 W liefern können, um Leitungsverluste auszugleichen.

HINWEIS

Die typischen Werte der Leistungsaufnahme basieren auf folgenden Annahmen:

- Leitungsverluste im Stromversorgungskabel nicht berücksichtigt
- Motoren für Schwenken/Neigen/Zoomen/Fokus/Wischer nicht aktiv
- Temperatur 25 °C (alle Heizungen aus)
- Ein H.264-Stream mit maximaler Auflösung
- Aufzeichnung eines MJPEG-Streams auf SD-Karte

Informazioni di sicurezza

Livelli di pericolo

▲PERICOLO

Indica una situazione pericolosa che, se non evitata, provoca morte o lesioni gravi.

▲AVVERTENZA

Indica una situazione pericolosa che, se non evitata, potrebbe provocare la morte o lesioni gravi.

▲ATTENZIONE

Indica una situazione pericolosa che, se non evitata, potrebbe provocare lesioni medie o minori.

AWISO

Indica una situazione che, se non evitata, potrebbe danneggiare la proprietà.

IT

Altri livelli di messaggio

Importante

Indica informazioni importanti, essenziali per il corretto funzionamento del dispositivo.

Nota

Indica informazioni utili che aiutano a ottenere il massimo dal dispositivo.

Informazioni di sicurezza

▲PERICOLO

Rischio di scosse elettriche. Tutti i cavi non saranno sotto tensione prima di installare o eseguire la manutenzione sul dispositivo.

▲AVVERTENZA

Il dispositivo Axis deve essere installato da un professionista qualificato, in conformità alle leggi e alle disposizioni locali.

▲ATTENZIONE



Rischio di lesioni. Parti in movimento. Tenere il corpo a distanza dal dispositivo durante il funzionamento. Scollegare dall'alimentazione prima di installare o eseguire la manutenzione sul dispositivo.

▲ATTENZIONE



Rischio di lesioni. Superficie calda. Non toccare il dispositivo durante il funzionamento. Scollegare dall'alimentazione e raffreddare le superfici prima di eseguire la manutenzione sul dispositivo.

AVVISO

- Il dispositivo Axis deve essere utilizzato in conformità alle leggi e alle disposizioni locali.
- Conservare il dispositivo Axis in un ambiente asciutto e ventilato.
- Evitare di esporre il dispositivo Axis a urti o pressioni eccessive.
- Non installare il dispositivo su supporti, superfici, pareti o pali instabili.
- Utilizzare solo strumenti applicabili quando si installa il dispositivo Axis. Se si utilizza una forza eccessiva con strumenti non adatti è possibile causare danni al dispositivo.
- Non utilizzare sostanze chimiche, agenti caustici o detergenti aerosol.
- Utilizzare un panno pulito inumidito in acqua pura per la pulizia.
- Utilizzare solo accessori compatibili con le specifiche tecniche del dispositivo. Questi possono essere forniti da Axis o da terze parti. Axis consiglia l'uso dell'apparecchiatura di alimentazione Axis compatibile con il dispositivo.
- Utilizzare solo parti di ricambio fornite o consigliate da Axis.
- Non tentare di riparare il dispositivo da soli. Contattare l'assistenza o il rivenditore Axis per questioni relative alla manutenzione.
- Non rivolgere l'obiettivo della telecamera verso il sole o altre sorgenti di radiazioni molto intense poiché si potrebbe danneggiare la telecamera.

Trasporto

AVVISO

- Durante il trasporto del dispositivo Axis, utilizzare l'imballaggio originale o equivalente per evitare danni al dispositivo.

Batteria

Il dispositivo Axis utilizza una batteria al litio da 3,0 V BR2032 come alimentazione per il suo real-time clock (RTC) interno. In condizioni normali questa batteria avrà una durata minima di cinque anni.

Una bassa carica della batteria influisce sul funzionamento del RTC, facendolo resettare a ogni accensione. Quando la batteria deve essere sostituita, un messaggio di registro viene visualizzato nel report server del dispositivo. Per ulteriori informazioni sul report server, vedere le pagine di configurazione del dispositivo o contattare l'assistenza Axis.

La batteria non deve essere sostituita se non richiesto, ma nel caso in cui questo fosse necessario, contattare il supporto Axis all'indirizzo axis.com/support per assistenza.

Batteria a bottone al litio 3,0 V contengono 1,2-dimetossietano; etere dimetilico di glicole etilenico (EGDME), CAS n. 110-71-4.

⚠AVVERTENZA

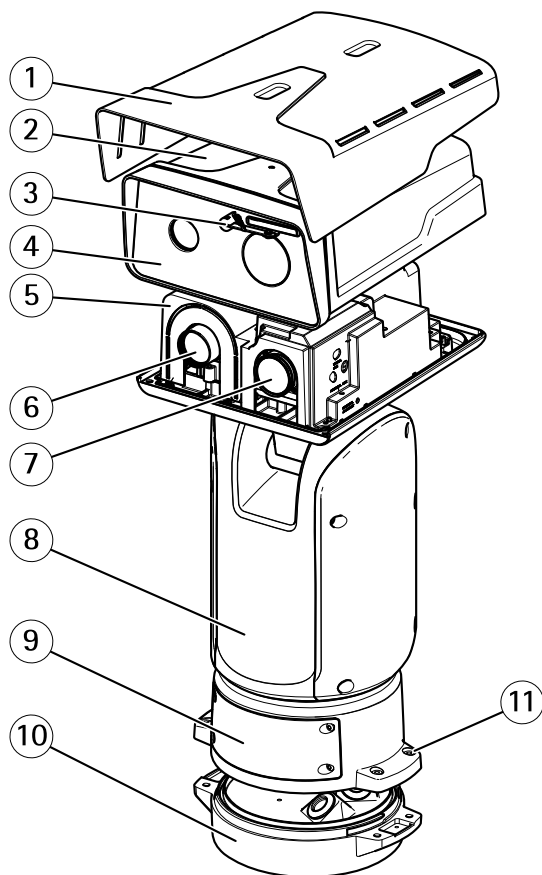
- Rischio di esplosione se la batteria viene sostituita in modo errato.
- Sostituire solo con una batteria identica o una batteria consigliata da Axis.
- Smaltire le batterie usate in base alle normative locali o alle istruzioni del produttore della batteria.

Contenuto della confezione

- Telecamera di rete bispettrale PTZ AXIS Q87
- Connettore di alimentazione
- Connettore I/O
- Punta Torx® T20 e T30
- Strumento di montaggio RJ45
- Documentazione
 - Guida all'installazione (il presente documento)
 - Etichetta aggiuntiva con numero di serie (2)
 - Chiave di autenticazione AVHS

Panoramica dell'hardware

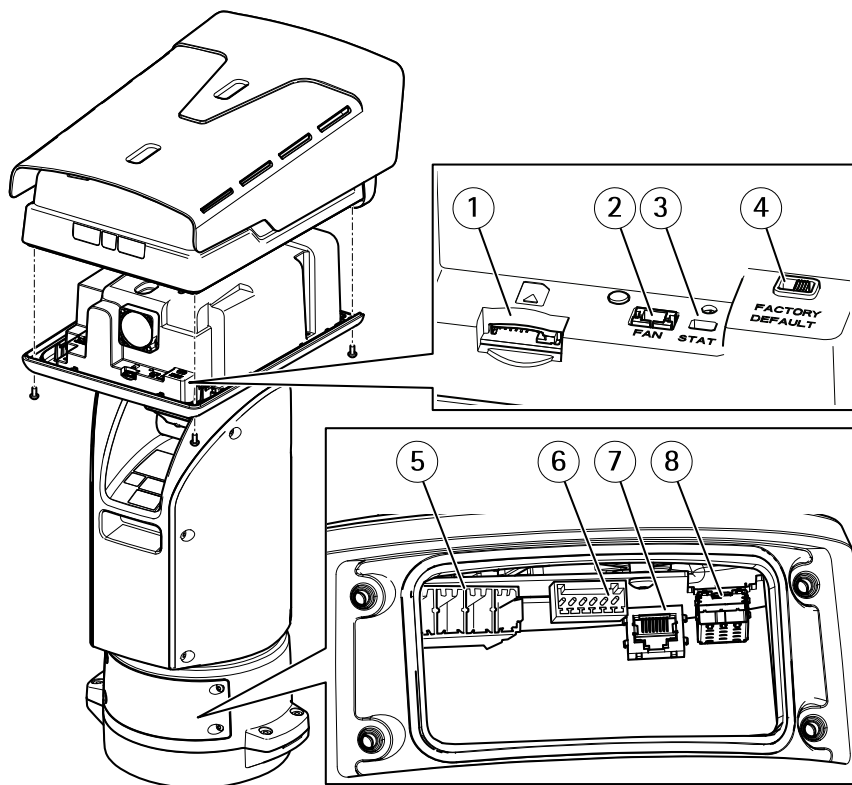
Per le specifiche dei componenti hardware, vedere *Specifiche alla pagina 107*.



- 1 Schermo di protezione dagli agenti atmosferici
- 2 Coperchio superiore
- 3 Tergicristallo
- 4 Anteriore con lamina protettiva
- 5 Coperchio interno
- 6 Obiettivo termico
- 7 Obiettivo visivo
- 8 Unità di posizionamento

AXIS Q87 Bispectral PTZ Network Camera Series

- 9 Coperchio
- 10 Unità base
- 11 Viti dell'unità base



- 1 Slot per scheda di memoria (microSDHC UHS-I/microSDXC UHS-I)
- 2 Connettore della ventola
- 3 LED di stato
- 4 Ripristino dei valori predefiniti di fabbrica
- 5 Connettore ingresso alimentazione
- 6 Connettore I/O
- 7 Connettore RJ45
- 8 Slot SFP per modulo SFP (modulo SFP non incluso)

Come installare il dispositivo


▲PERICOLO

Rischio di scosse elettriche. Tutti i cavi non saranno sotto tensione prima di installare il dispositivo.


▲ATTENZIONE

Le connessioni elettriche e l'installazione dei tubi protettivi devono essere effettuate da un elettricista certificato e in conformità alle normative locali.

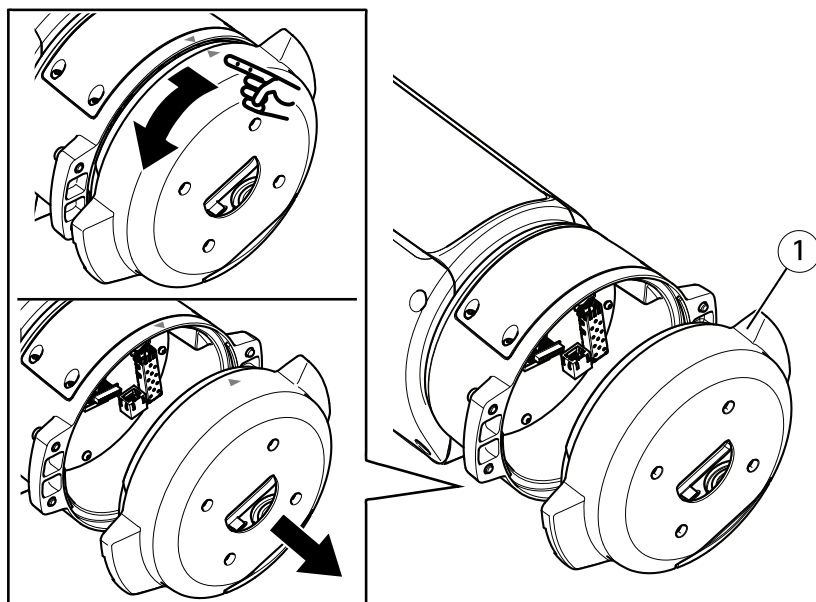
▲ATTENZIONE

 Rischio di lesioni. Parti in movimento. Tenere il corpo a distanza dal dispositivo durante il funzionamento. Scollegare dall'alimentazione prima di installare o eseguire la manutenzione sul dispositivo.

▲ATTENZIONE

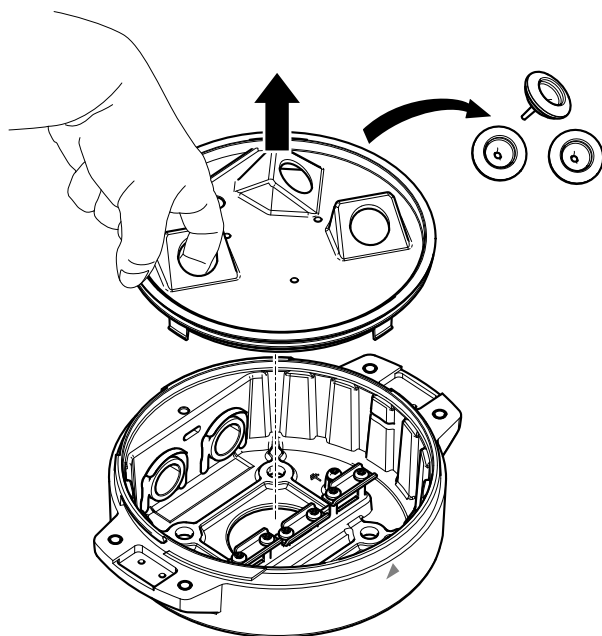
 Rischio di lesioni. Superficie calda. Non toccare il dispositivo durante il funzionamento. Scollegare dall'alimentazione e raffreddare le superfici prima di eseguire la manutenzione sul dispositivo.

Montaggio dell'unità base



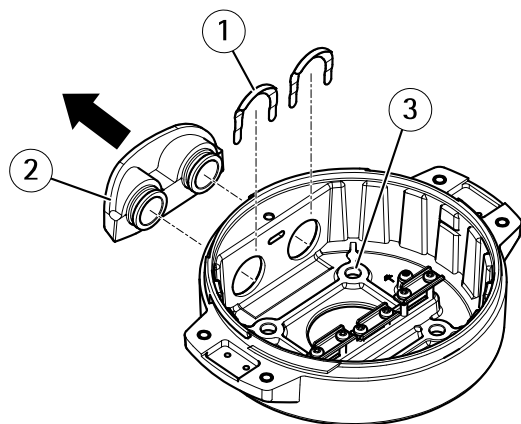
1 Unità base

1. Rimuovere le quattro viti (T30) dell'unità base.
2. Estrarre e ruotare simultaneamente l'unità base in senso antiorario finché le frecce sull'unità base e sul resto dell'unità non sono allineate.
3. Rimuovere l'unità base.

**AVISO**

Non utilizzare strumenti appuntiti durante la rimozione del coperchio trasparente dell'unità base.

4. Rimuovere il coperchio trasparente dell'unità base.



- 1 *Clip del coperchio del tubo protettivo*
- 2 *Coperchio del tubo protettivo*
- 3 *Foro per vite (x4)*

5. Solo per le installazioni di tubi protettivi: rimuovere le due clip del coperchio del tubo protettivo dal coperchio del tubo.
6. Fissare l'unità base alla superficie di montaggio utilizzando i fissaggi appropriati nei fori delle quattro viti.

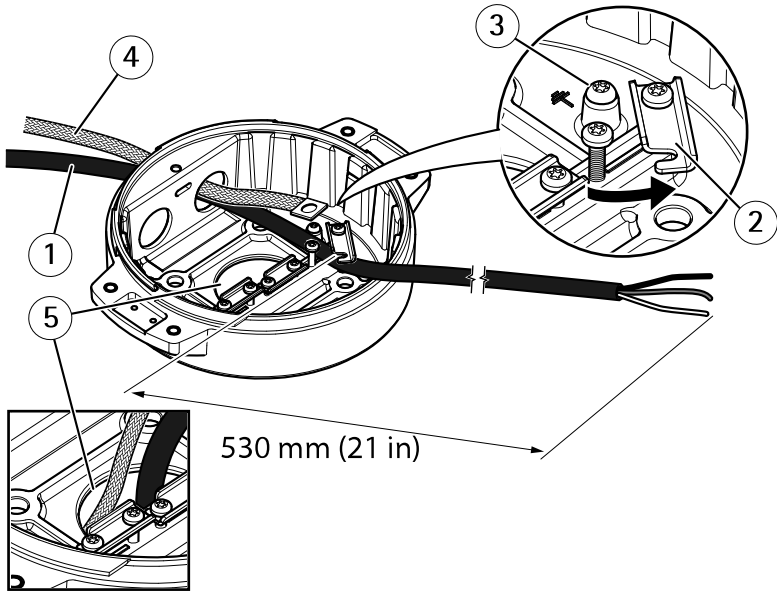
Installazione dei cavi

⚠AVVERTENZA

Rischio di scosse elettriche. Questo dispositivo deve disporre di messa a terra utilizzando il cavo di messa a terra di protezione nel cavo di alimentazione e la treccia di messa a terra. Assicurarsi che entrambe le estremità del cavo di messa a terra di protezione e della treccia di messa a terra siano in contatto con le rispettive superfici di messa a terra.

Importante

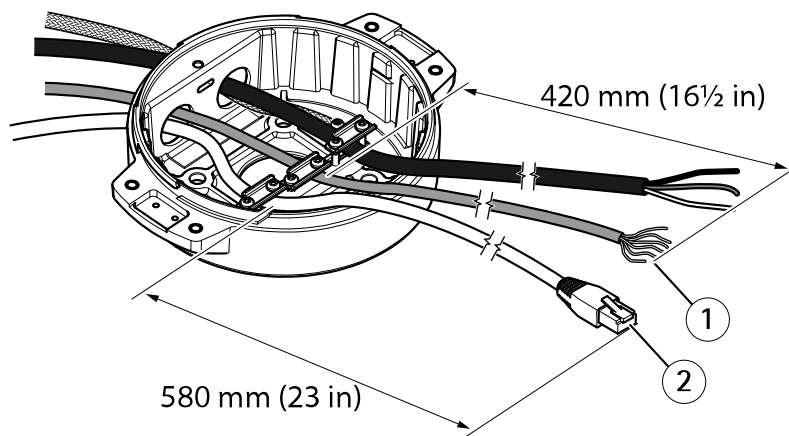
Utilizzare solo cavi conformi all'area dei cavi specificata. Per ulteriori informazioni, vedere *Spessore del cavo alla pagina 109*.



- 1 *Cavo di alimentazione (non incluso)*
- 2 *Dispositivo antistrappo*
- 3 *Vite di messa a terra*
- 4 *Treccia di messa a terra (non inclusa)*
- 5 *Foro per cavo inferiore*

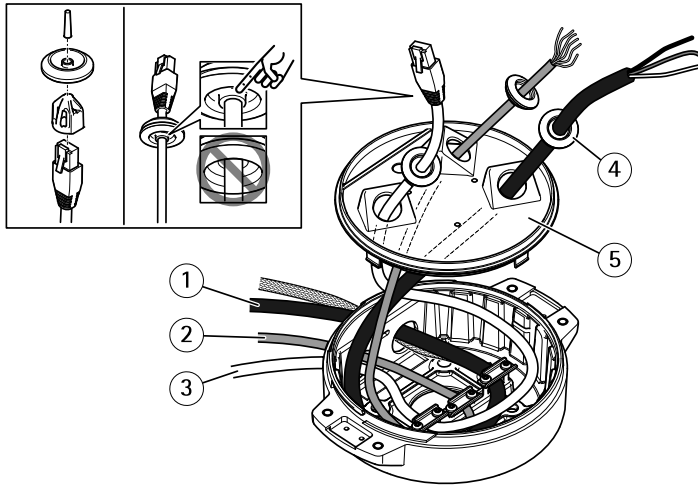
1. Installare gli adattatori dei tubi protettivi opzionali (non inclusi).
2. Collegare la treccia di messa a terra alla vite della messa a terra.
3. Inserire il cavo di alimentazione, il cavo di rete e il cavo I/O attraverso il foro nell'unità base come mostrato nell'illustrazione sopra riportata. In alternativa, inserirli nel foro del cavo inferiore.
4. Inserire il cavo di alimentazione nel dispositivo antistrappo con una distanza di 530 mm tra il dispositivo antistrappo e l'estremità del cavo.

AXIS Q87 Bispectral PTZ Network Camera Series



- 1 Cavo I/O (opzionale, non incluso)
- 2 Cavo di rete (non incluso)

5. Inserire il cavo I/O (opzionale) nel dispositivo antistrappo con una distanza di 420 mm (16½ pollici) tra il dispositivo antistrappo e l'estremità del cavo.
6. Inserire il cavo di rete (cavo in fibra ottica e/o cavo RJ45) nel dispositivo antistrappo ad una distanza di 580 mm dal dispositivo antistrappo all'estremità del connettore. Per ulteriori informazioni sulle differenti opzioni di connettività di rete, vedere *Installazione del collegamento di rete alla pagina 100*.
7. Chiudere e avvitare i tre dispositivi antistrappo.



- 1 Cavo di alimentazione (non incluso)
- 2 Cavo I/O (opzionale, non incluso)
- 3 Cavo di rete (non incluso)
- 4 Guarnizione per cavi
- 5 Coperchio trasparente dell'unità base

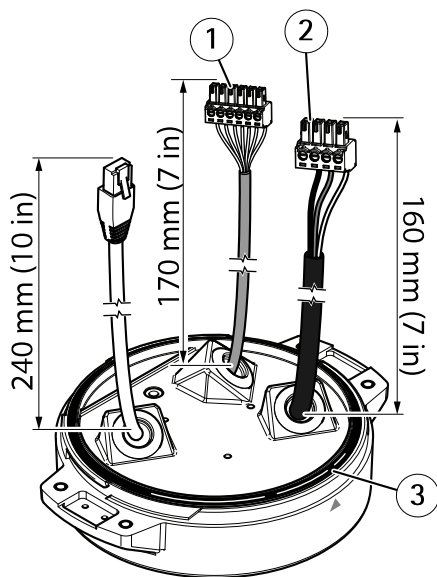
8. Inserire le guarnizioni sui cavi. Vedere *Spessore del cavo alla pagina 109*.
9. Inserire il cavo di alimentazione, di rete e I/O comprese le guarnizioni attraverso i fori nel coperchio trasparente dell'unità base e sistemare i cavi come mostrato nell'illustrazione sopra riportata.

AVVISO

Se si utilizzano un cavo in fibra ottica e un cavo RJ45 per la connettività di rete, instradare il cavo in fibra ottica attraverso la stessa guarnizione del cavo I/O. Applicare un sigillante tra i cavi e la guarnizione per evitare dispersioni. Per ulteriori informazioni sulle differenti opzioni di connettività di rete, vedere *Installazione del collegamento di rete alla pagina 100*.

10. Riposizionare il coperchio trasparente sull'unità base e inserire le guarnizioni dei cavi nei fori.

AXIS Q87 Bispectral PTZ Network Camera Series



- 1 Connettore I/O
- 2 Connettore di alimentazione
- 3 Anello di tenuta

AVVISO

Accertarsi che il cavo di messa a terra di protezione sia circa 10 mm più lungo degli altri due cavi (nel cavo di alimentazione) per evitare lo scollegamento accidentale.

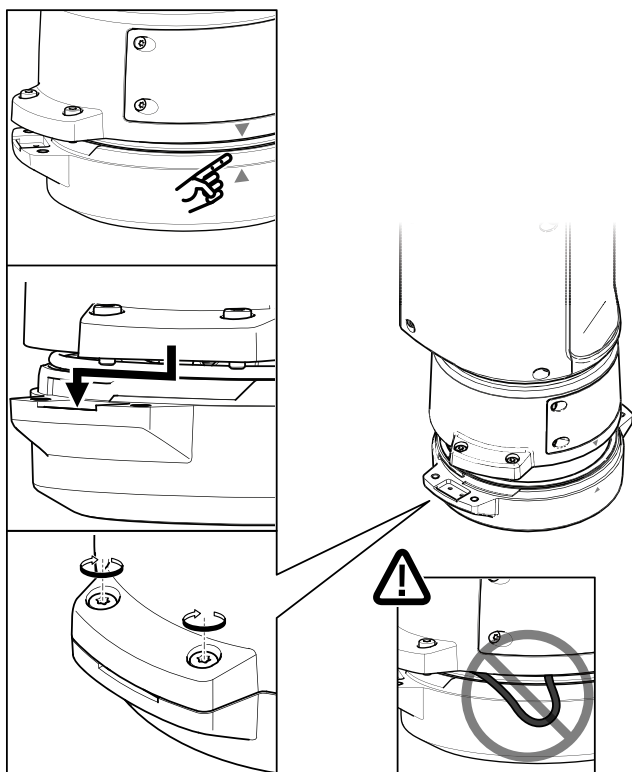
Nota

Si consiglia di togliere circa 90 mm (3½ pollici) di rivestimento del cavo di alimentazione e 70 mm (2¾ pollici) di rivestimento del cavo I/O per un'installazione più semplice.

11. Installare i connettori di alimentazione e I/O, vedere *Connettori alla pagina 107*.
12. Regolare i cavi di rete, I/O e di alimentazione in modo che la distanza dalla guarnizione del cavo all'estremità del connettore sia rispettivamente di 240 mm, 170 mm e 160 mm.

AVVISO

Assicurarsi che l'anello di tenuta sia correttamente fissato al coperchio trasparente dell'unità base.

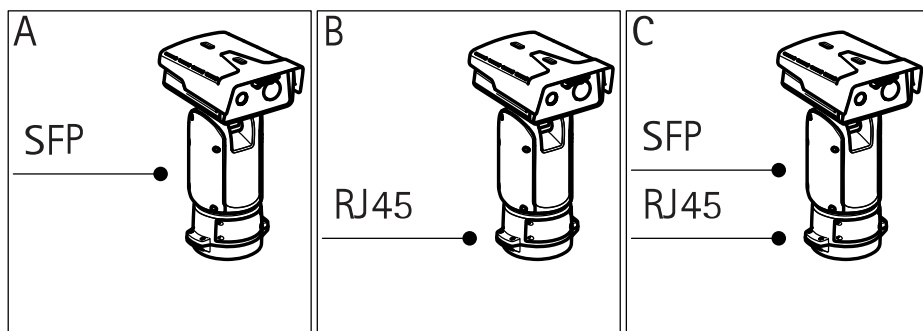


13. Riposizionare l'unità di posizionamento sull'unità base accertandosi che le frecce sulle due unità siano allineate.
14. Ruotare l'unità di posizionamento in senso orario facendola tornare alla posizione originale e serrare le quattro viti dell'unità base (serraggio 3,0 Nm).

AVVISO

Accertarsi che i cavi non vengano schiacciati durante il montaggio delle due unità.

Installazione del collegamento di rete



Per l'installazione di un collegamento di rete esistono diverse opzioni:

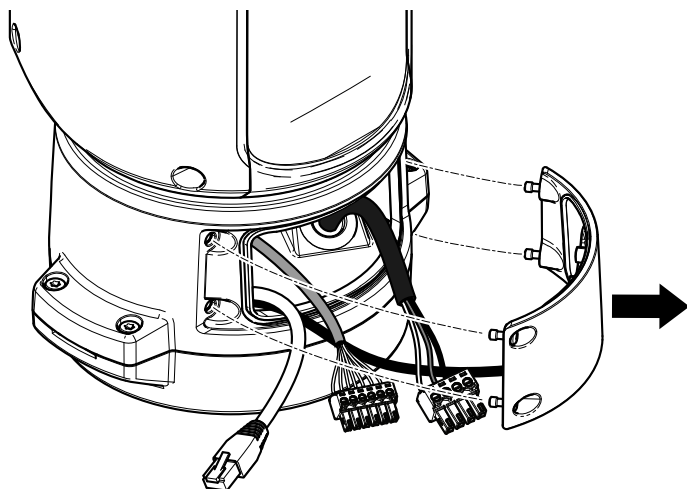
- A: tramite un cavo in fibra ottica o un cavo RJ45 collegato al modulo SFP (con un rispettivo connettore) nello slot SFP.
- B: tramite un cavo RJ45 collegato al connettore RJ45 fisso.
- C: tramite entrambe le opzioni precedenti. In tal caso la connessione tramite le funzioni del modulo SFP è il primo collegamento di rete e la connessione tramite connettore RJ45 è il collegamento di failover.

Per ulteriori informazioni sulle posizioni dei connettori di rete, vedere *Connettori alla pagina 107*.

Nota

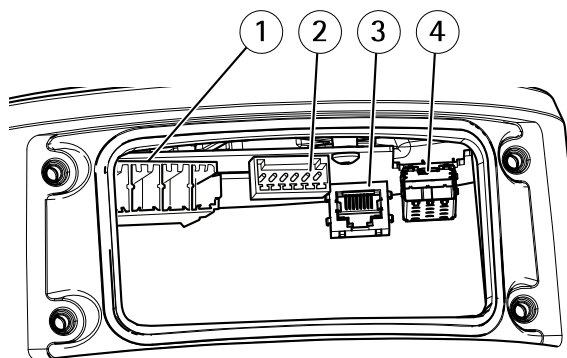
- Il modulo SFP non è incluso. Per ulteriori informazioni sui moduli SFP disponibili, vedere www.axis.com
- La creazione di un collegamento di rete solo tramite cavo in fibra ottica utilizzando il rispettivo modulo SFP funziona come soluzione indipendente per le installazioni di cablaggi a lungo raggio.

Collegamento dei cavi



IT

1. Allentare le quattro viti (T20) del coperchio e rimuoverlo.

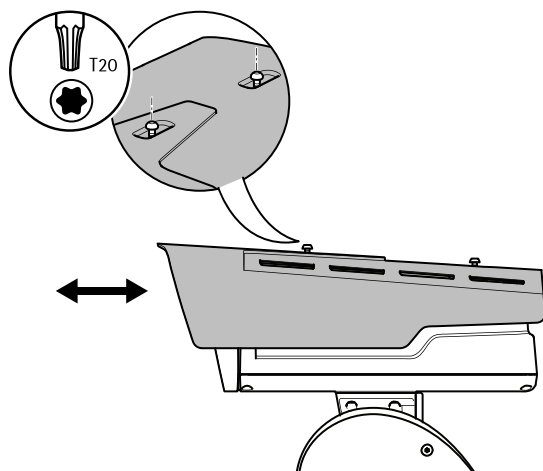


- 1 *Connettore ingresso alimentazione*
- 2 *Connettore I/O*
- 3 *Connettore RJ45*
- 4 *Slot SFP per modulo SFP (modulo SFP non incluso)*

AXIS Q87 Bispectral PTZ Network Camera Series

2. Collegare la rete (fibra ottica e/o RJ45), I/O e i cavi di alimentazione. Per ulteriori informazioni sulle differenti opzioni di connettività di rete, vedere *Installazione del collegamento di rete alla pagina 100*.
3. Riposizionare il coperchio e avvitare le quattro viti (serraggio 3,0 Nm).
4. Applicare l'alimentazione al dispositivo.

Regolazione dello schermo di protezione dagli agenti atmosferici



1. Allentare le due viti dello schermo di protezione dagli agenti atmosferici.
2. Regolare lo schermo di protezione dagli agenti atmosferici nella posizione desiderata.
3. Serrare le due viti dello schermo di protezione dagli agenti atmosferici (serraggio 0,8 Nm).

Come accedere al dispositivo

AXIS IP Utility e AXIS Camera Management sono i metodi consigliati per trovare i dispositivi Axis in rete e assegnare loro un indirizzo IP in Windows®. Queste applicazioni sono entrambe gratuite e possono essere scaricate dal sito Web www.axis.com/support

Il dispositivo può essere utilizzato con i browser seguenti:


- Chrome™ (consigliato), Firefox®, Edge® oppure Opera® con Windows®
- Chrome™ (consigliato) o Safari® con OS X®
- Chrome™ o Firefox® con altri sistemi operativi.

AXIS Q87 Bispectral PTZ Network Camera Series


Per ulteriori informazioni sull'utilizzo del dispositivo, consultare il Manuale per l'utente disponibile sul sito Web all'indirizzo: www.axis.com

Ripristino delle impostazioni predefinite di fabbrica

⚠ATTENZIONE

 Rischio di lesioni. Parti in movimento. Tenere il corpo a distanza dal dispositivo durante il funzionamento. Scollegare dall'alimentazione prima di installare o eseguire la manutenzione sul dispositivo.

⚠ATTENZIONE

 Rischio di lesioni. Superficie calda. Non toccare il dispositivo durante il funzionamento. Scollegare dall'alimentazione e raffreddare le superfici prima di eseguire la manutenzione sul dispositivo.

AVVISO

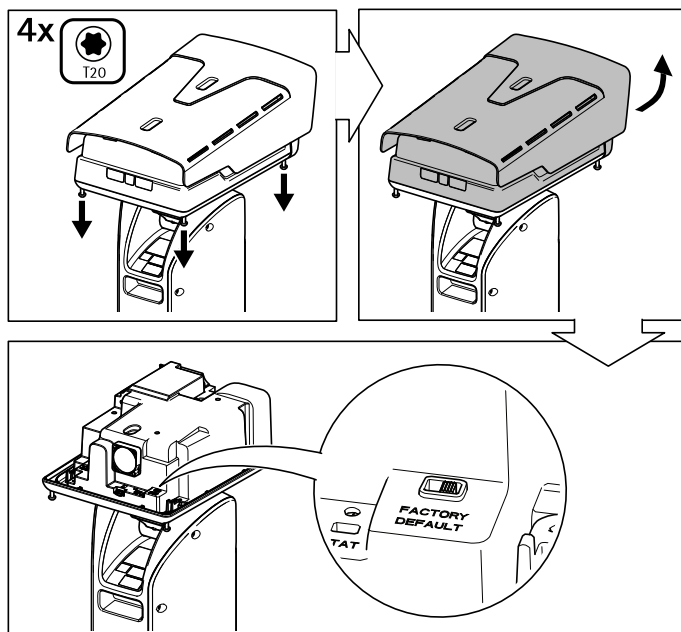
La rimozione del coperchio superiore espone le parti della telecamera visiva sensibili agli urti. Evitare di urtare la telecamera non protetta con il coperchio superiore durante lo smontaggio.

Importante

Il ripristino delle impostazioni predefinite di fabbrica deve essere utilizzato con cautela. Un ripristino delle impostazioni di fabbrica consentirà di ripristinare le impostazioni di fabbrica per tutti i parametri, incluso l'indirizzo IP.

Nota

Gli strumenti per l'installazione e la gestione del software sono disponibili nelle pagine dedicate all'assistenza sul sito Web www.axis.com/support/downloads



1. Scollegare l'alimentazione dal dispositivo.
2. Allentare le quattro viti della copertura superiore e rimuoverla.
3. Modificare la posizione dell'interruttore dei valori predefiniti di fabbrica.
4. Rimontare il coperchio superiore e serrare le viti (serraggio 2 Nm).
5. Ricollegare l'alimentazione al dispositivo.

È inoltre possibile reimpostare i parametri ai valori predefiniti di fabbrica mediante le pagine Web del dispositivo. Andare a **Settings > System > Maintenance** (Impostazioni > Sistema > Manutenzione) e fare clic su **Default (Predefinito)**.

Ulteriori Informazioni

- Per la versione più recente di questo documento, visitare il sito all'indirizzo axis.com
- Il manuale per l'utente è disponibile all'indirizzo axis.com
- Per verificare se sono stati pubblicati aggiornamenti del firmware per il proprio dispositivo, vedere axis.com/support
- Per servizi di formazione utili e webinar, visita il sito axis.com/academy

Accessori opzionali

Per un elenco completo degli accessori disponibili per questo dispositivo, andare alla pagina del dispositivo al sito axis.com e selezionare Software e accessori.

Informazioni sulla garanzia


Per informazioni sulla garanzia del dispositivo Axis e informazioni ad esso relative, consultare la pagina axis.com/warranty/

Specifiche


Per la versione più aggiornata della scheda tecnica del dispositivo, visitare il sito Web axis.com e trovare la sezione **Supporto e documentazione**.

Slot per scheda di memoria

ATTENZIONE

 Rischio di lesioni. Parti in movimento. Tenere il corpo a distanza dal dispositivo durante il funzionamento. Scollegare dall'alimentazione prima di installare o eseguire la manutenzione sul dispositivo.

ATTENZIONE

 Rischio di lesioni. Superficie calda. Non toccare il dispositivo durante il funzionamento. Scollegare dall'alimentazione e raffreddare le superfici prima di eseguire la manutenzione sul dispositivo.

AVVISO

- Rischio di danneggiamento della scheda di memoria. Non utilizzare strumenti appuntiti oppure oggetti metallici e non esercitare eccessiva forza durante l'inserimento o la rimozione della scheda di memoria. Utilizzare le dita per inserire e rimuovere la scheda.
- Rischio di perdita di dati e danneggiamento delle registrazioni. Non rimuovere la scheda di memoria mentre il dispositivo è in funzione. Smontare la scheda di memoria dalle pagine Web del dispositivo prima di rimuoverla.

Questo dispositivo supporta schede microSD/microSDHC/microSDXC (scheda di memoria non inclusa).

Visitare axis.com per i consigli sulla scheda SD

Connettori

Connettore di rete

Connettore Ethernet RJ45.

Connettore SFP.

AVVISO

Il dispositivo deve essere collegato con un cavo di rete schermato (STP) o con cavi in fibra ottica. Tutti i cavi che collegano il dispositivo alla rete sono destinati al loro uso specifico. Accertarsi che i dispositivi di rete siano installati secondo le istruzioni del produttore. Per maggiori informazioni sui requisiti normativi, consultare *Electromagnetic compatibility (EMC) on page 4*.

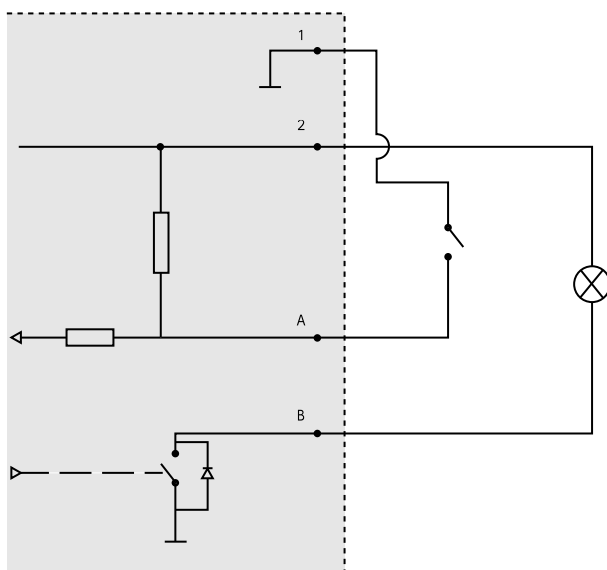
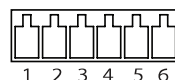
Connettore I/O

Utilizzare il connettore I/O con dispositivi esterni in combinazione con, ad esempio, rilevamento movimento, attivazione di eventi e notifiche di allarme. Oltre al punto di riferimento 0 V CC e all'alimentazione (uscita CC), il connettore I/O fornisce l'interfaccia per:

Ingresso digitale – Per il collegamento di dispositivi che possono passare dal circuito chiuso al circuito aperto, ad esempio i sensori PIR, i contatti porta/finestra e i rilevatori di rottura.

Uscita digitale – Per il collegamento di dispositivi esterni come relè e LED. I dispositivi collegati possono essere attivati tramite l'API (interfaccia per la programmazione di applicazioni) VAPIX® oppure nella pagina Web del dispositivo.

Morsettiera a 6 pin configurabile



- 1 0 V CC (-)
- 2 Uscita CC 12 V, max 50 mA
- A I/O configurato come input
- B I/O configurato come uscita

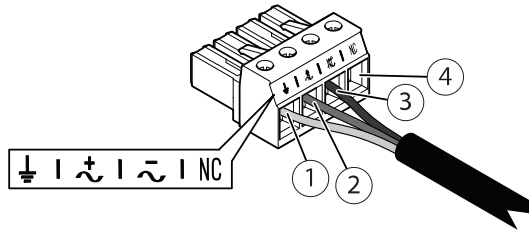
Connettore di alimentazione

Morsettiera a 4 pin per ingresso alimentazione.

Connettore di alimentazione 24 V CA/CC

AWISO

Questa sezione è valida solo per i dispositivi alimentati a 24 V CA e 24 V CC.



Posizione	24 V CA	24 V CC
1	Messa a terra di protezione	Messa a terra di protezione
2	Fase 24 V CA	+ 24 V
3	24 V CA Neutro	0 V
4	Non connesso	Non connesso

Cavi

Spessore del cavo

Quando si utilizzano le guarnizioni per cavo fornite con il dispositivo, il diametro del cavo deve essere compreso nell'intervallo tra 5 e 11 mm.

AWISO

- Utilizzare cavi di lunghezza adeguata all'area specificata
- Selezionare i cavi nel rispetto delle normative locali
- Verificare che tutti i fori dei cavi siano correttamente sigillati
- Utilizzare guarnizioni per cavi o pressacavi corrispondenti al foro e all'area dei cavi

Per informazioni sugli accessori disponibili, come ad esempio guarnizioni per cavi e pressacavi adatti per altre aree dei cavi, visitare il sito Web www.axis.com.

Condizioni di funzionamento

Il dispositivo Axis è destinato all'uso interno ed esterno.

Temperatura	Umidità
Temperatura di esercizio: da -50 °C a 55 °C (da -58 °F a 131 °F) Avvio a freddo (< di 1 h di tempo di avvio per essere completamente funzionale): -40 °C (-40 °F)	10 – 100% umidità relativa (senza condensa)

Consumo energetico

Dispositivo	Consumo tipico	Consumo massimo
AXIS Q8741-E 24 V CA/CC AXIS Q8742-E 24 V CA/CC	16 W	204 W

Importante

Quando si utilizza il cavo AXIS da 22 m 24 V CC/24 – 240 V CA, è necessario utilizzare un alimentatore in grado di fornire 300 W a compensazione della perdita di alimentazione del cavo.

AVVISO

I valori tipici di consumo energetico sono basati su:

- Perdite nei cavi di alimentazione ignorate
- Nessun motore di rotazione, inclinazione, zoom, messa a fuoco, tergcristallo attivo
- Temperatura di 25 °C (tutti i riscaldatori spenti)
- Un flusso H.264 alla massima risoluzione
- Flusso MJPEG registrato sulla scheda di memoria

Información de seguridad

Niveles de peligro

▲PELIGRO

Indica una situación peligrosa que, si no se evita, provocará lesiones graves o la muerte.

▲ADVERTENCIA

Indica una situación peligrosa que, si no se evita, puede provocar lesiones graves o la muerte.

▲ATENCIÓN

Indica una situación peligrosa que, si no se evita, puede provocar lesiones moderadas o leves.

AVISO

Indica una situación peligrosa que, si no se evita, puede provocar daños materiales.

Otros niveles de mensaje

Importante

Indica información importante que es fundamental para que el producto funcione correctamente.

Nota

Indica información útil que ayuda a aprovechar el producto al máximo.

Instrucciones de seguridad


⚠ PELIGRO

Riesgo de descarga eléctrica. Todos los cables deberán estar sin energía antes de realizar trabajos de instalación o mantenimiento en el producto.


⚠ ADVERTENCIA

El producto de Axis debe instalarlo un profesional formado conforme las leyes y normativas locales.

⚠ ATENCIÓN

 Riesgo de lesiones. Piezas móviles. No acerque ninguna parte del cuerpo al producto mientras esté funcionando. Desconecte la fuente de alimentación antes de realizar trabajos de instalación o mantenimiento en el producto.

⚠ ATENCIÓN

 Riesgo de lesiones. Superficie caliente. No toque el producto durante su funcionamiento. Desconecte la fuente de alimentación y deje que se enfríen las superficies antes de realizar trabajos de mantenimiento en el producto.

AVISO

- Este producto de Axis debe utilizarse de acuerdo con las leyes y normativas locales.
- Almacene el producto de Axis en un entorno seco y ventilado.
- Evite la exposición del producto de Axis a choques o a una fuerte presión.
- No instale el producto en postes, soportes, superficies o paredes inestables.
- Utilice solo las herramientas correspondientes cuando instale el producto de Axis. La aplicación de una fuerza excesiva con herramientas eléctricas puede provocar daños en el producto.
- No utilice limpiadores en aerosol, agentes cáusticos ni productos químicos.
- Limpie con un paño limpio humedecido con agua pura.
- Utilice solo accesorios que cumplan con las especificaciones técnicas de su producto. Estos accesorios los puede proporcionar Axis o un tercero. Axis recomienda utilizar un equipo de suministro de alimentación de Axis compatible con su producto.
- Utilice solo piezas de repuesto proporcionadas o recomendadas por Axis.
- No intente reparar el producto usted mismo. Póngase en contacto con el servicio de asistencia técnica de Axis o con su distribuidor de Axis para tratar asuntos de reparación.
- No coloque el objetivo de la cámara apuntando hacia el sol u otras fuentes de radiación de alta intensidad ya que podría dañar la cámara.

Transporte

AVISO

- Cuando transporte el producto de Axis, utilice el embalaje original o un equivalente para evitar daños en el producto.

Batería

Este producto de Axis utiliza una batería de litio BR2032 de 3,0 V como fuente de alimentación del reloj interno en tiempo real. En condiciones normales, esta batería durará un mínimo de cinco años.

Un nivel bajo de batería afectará al funcionamiento del reloj en tiempo real, lo que provocará el restablecimiento de este cada vez que se encienda el producto. Cuando sea necesario sustituir la batería, aparecerá un mensaje de registro en el informe del servidor del producto. Para obtener más información sobre el informe del servidor, consulte las páginas de configuración del producto o póngase en contacto con el servicio de asistencia técnica de Axis.

La batería no debe sustituirse a menos que sea necesario; no obstante, si precisa hacerlo, póngase en contacto con el servicio de asistencia técnica de Axis en axis.com/support para solicitar ayuda.

Las pilas de botón de litio de 3,0 V contienen 1,2-dimetoxietano; éter dimetílico de etilenglicol (EGDME), n.º CAS 110-71-4.

▲ADVERTENCIA

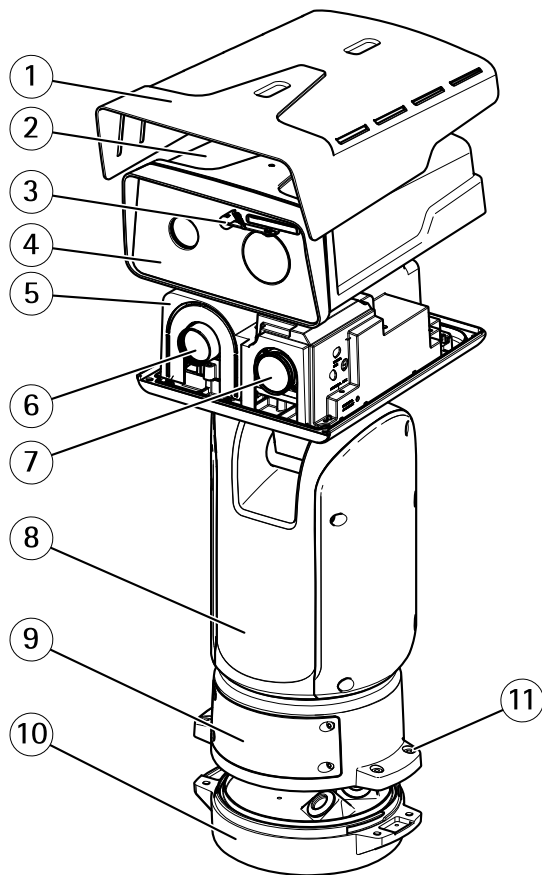
- La sustitución incorrecta de la batería implica riesgo de explosión.
- Sustituya la batería por una batería idéntica u otra batería recomendada por Axis.
- Deseche las baterías usadas de conformidad con la normativa local o las instrucciones del fabricante.

Contenido del paquete

- Cámara de red PTZ bispectral AXIS Q87
- Conector de alimentación
- Conector de E/S
- Torx® punta T20 y T30
- Herramienta de montaje RJ45
- Materiales impresos
 - Guía de instalación (este documento)
 - Etiqueta adicional con el número de serie (2)
 - Clave de autenticación AVHS

Información general del hardware

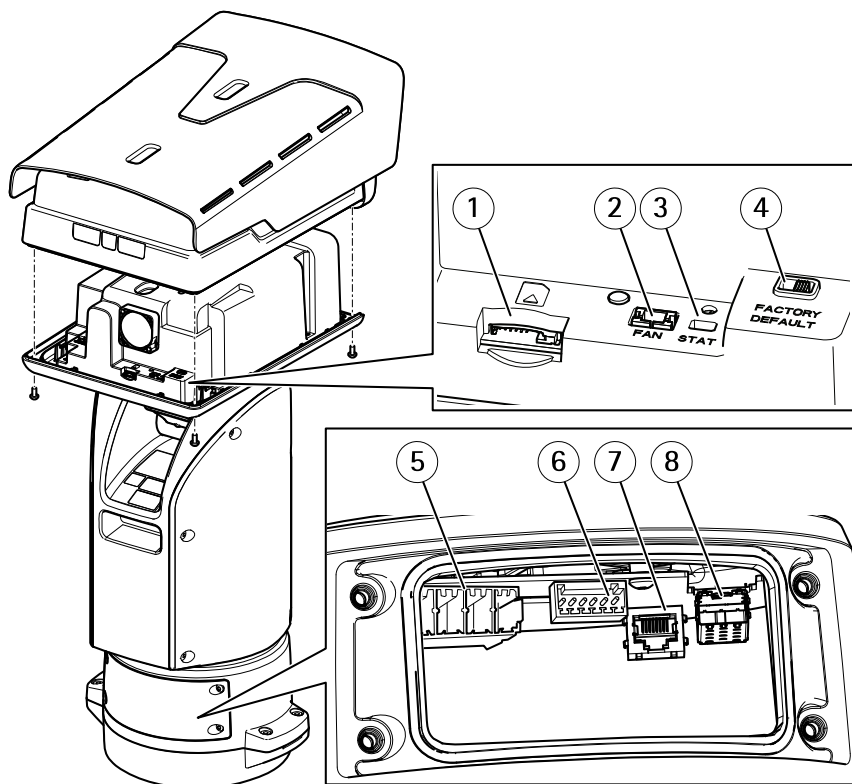
Para conocer las especificaciones de los componentes del hardware, vea *Especificaciones en la página 131*.



- 1 Parasol
- 2 Cubierta superior
- 3 Escobilla limpiadora
- 4 Parte delantera con cubierta protectora
- 5 Cubierta interna
- 6 Objetivo para cámara térmica
- 7 Objetivo para cámara visual

AXIS Q87 Bispectral PTZ Network Camera Series

- 8 Unidad de posicionamiento
- 9 Tapa
- 10 Unidad base
- 11 Tornillos de unidad base



- 1 Ranura para tarjetas SD (microSDHC UHS-I/microSDXC UHS-I)
- 2 Conector del ventilador
- 3 LED de estado
- 4 Conmutador predeterminado de fábrica
- 5 Conector de entrada de corriente
- 6 Conector de E/S
- 7 Conector RJ45
- 8 Ranura SFP para módulo SFP (módulo SFP no incluido)

Cómo instalar el producto


⚠ PELIGRO

Riesgo de descarga eléctrica. Todos los cables deben estar sin energía antes de instalar el producto.


⚠ ATENCIÓN

Las conexiones eléctricas y las instalaciones de los conductos debe realizarlas un electricista cualificado, de conformidad con la normativa local.

⚠ ATENCIÓN

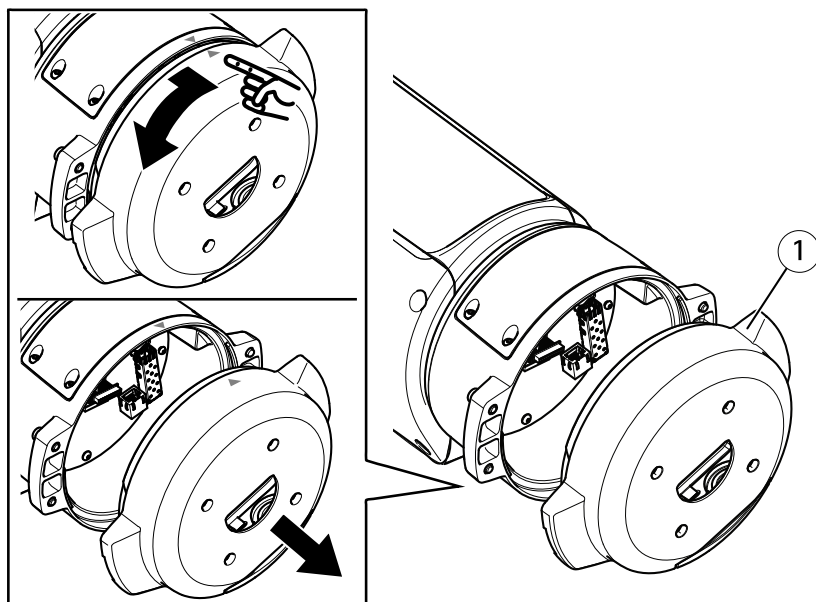
 Riesgo de lesiones. Piezas móviles. No acerque ninguna parte del cuerpo al producto mientras esté funcionando. Desconecte la fuente de alimentación antes de realizar trabajos de instalación o mantenimiento en el producto.

⚠ ATENCIÓN

 Riesgo de lesiones. Superficie caliente. No toque el producto durante su funcionamiento. Desconecte la fuente de alimentación y deje que se enfrien las superficies antes de realizar trabajos de mantenimiento en el producto.

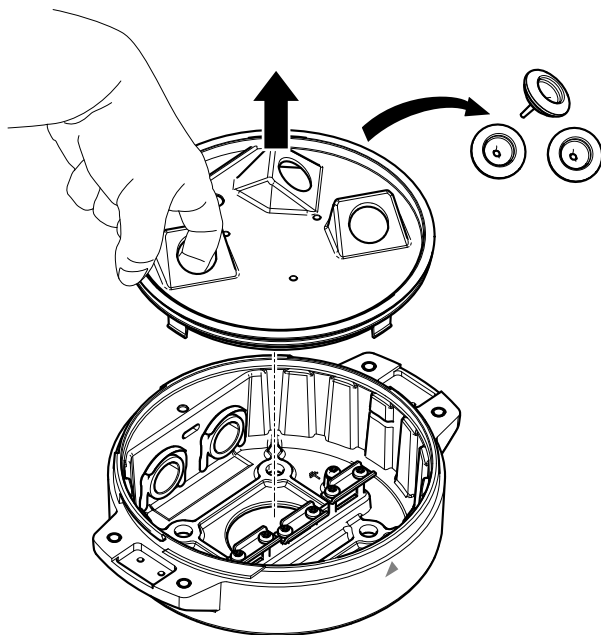
ES

Montaje de la unidad base



1 Unidad base

1. Quite los cuatro tornillos (T30) de la unidad base.
2. Tire de la base a la vez que la gira en sentido contrario a las agujas del reloj hasta que estén alineadas las flechas de la unidad base con el resto de la unidad.
3. Extraiga la unidad base.

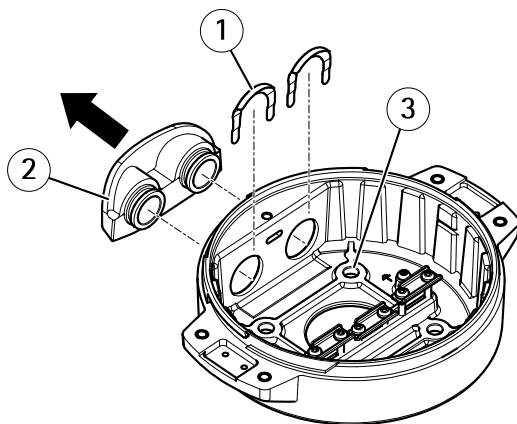


ES

AVISO

No utilice herramientas afiladas al quitar la cubierta transparente de la unidad base.

4. Extraiga la cubierta transparente de la unidad base.



- 1 Clip de cubierta de conducto

AXIS Q87 Bispectral PTZ Network Camera Series

- 2 *Cubierta de conducto*
- 3 *Orificio para tornillo (4)*

5. Para instalaciones con conducto solo: retire los dos clips de cubierta de conducto y la cubierta de conducto a continuación.
6. Fije la unidad base a la superficie de montaje con los fijadores adecuados en los cuatro orificios para tornillos.

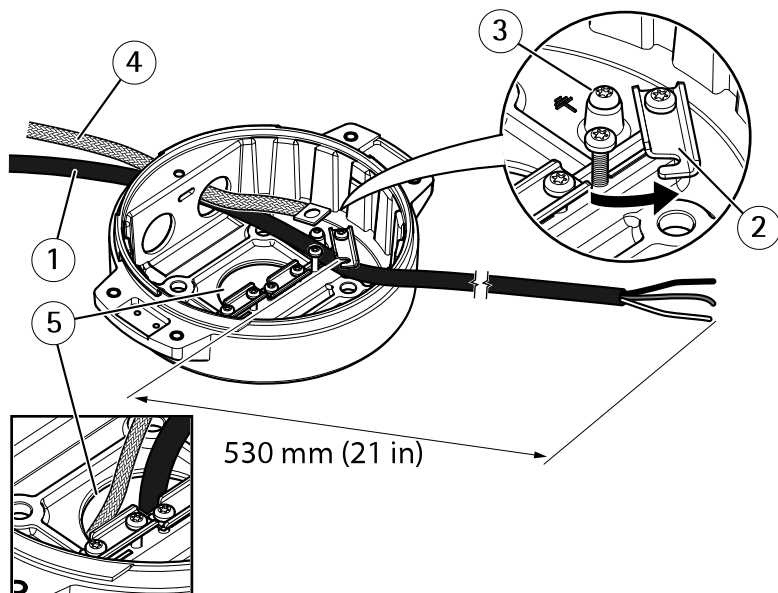
Guía de los cables

▲ADVERTENCIA

Riesgo de descarga eléctrica. El producto debe conectarse a tierra mediante el cable a tierra protector en el cable de alimentación y el cable trenzado de tierra. Asegúrese de que los dos extremos del cable de tierra protector y el cable trenzado de tierra estén en contacto con sus respectivas superficies de toma de tierra.

Importante

Utilice solo los cables que cumplan los requisitos del área de cableado especificada. Para obtener más información, consulte *Grosor del cable en la página 133*.

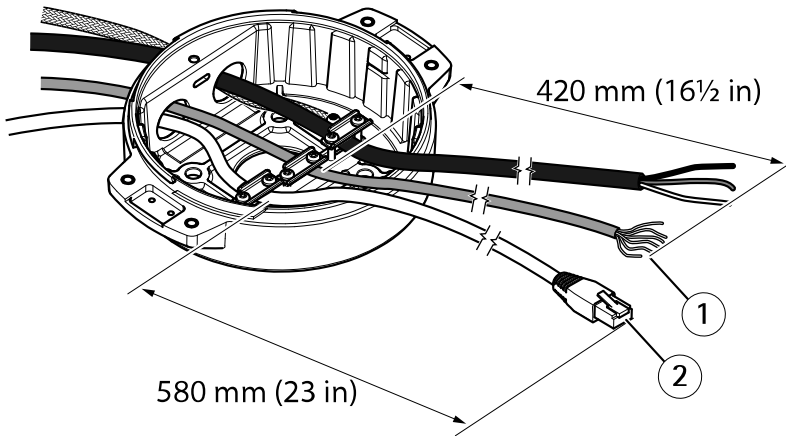


- 1 *Cable de alimentación (no incluido)*
- 2 *Descarga de tracción*
- 3 *Tornillo de toma de tierra*

AXIS Q87 Bispectral PTZ Network Camera Series

- 4 Cable trenzado de tierra (no incluido)
- 5 Orificio inferior para cable

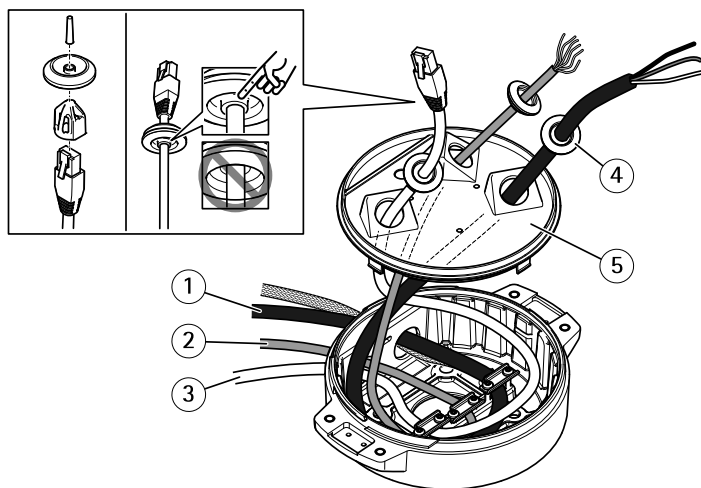
1. Instale los adaptadores de conducto opcionales (no incluidos).
2. Conecte el cable trenzado de tierra al tornillo de tierra.
3. Pase el cable de alimentación, el cable de E/S y el cable de red a través del orificio de la unidad base como se muestra en la ilustración anterior. También puede pasarlos por el orificio del cable inferior.
4. Pase el cable de alimentación por la descarga de tracción con una distancia de 530 mm entre esta y el extremo del cable.



- 1 Cable de E/S (opcional, no incluido)
- 2 Cable de red (no incluido)

5. Introduzca el cable de E/S (opcional) a través de la descarga de tracción con una distancia de 420 mm entre esta y el extremo del cable.
6. Introduzca el cable de red (cable de fibra óptica o cable RJ45) con una distancia de 580 mm entre la descarga de tracción y el extremo del conector. Para obtener más información sobre las opciones de conectividad de la red, consulte *Instalación del enlace de red en la página 125*.
7. Cierre y apriete las tres descargas de tracción.

ES



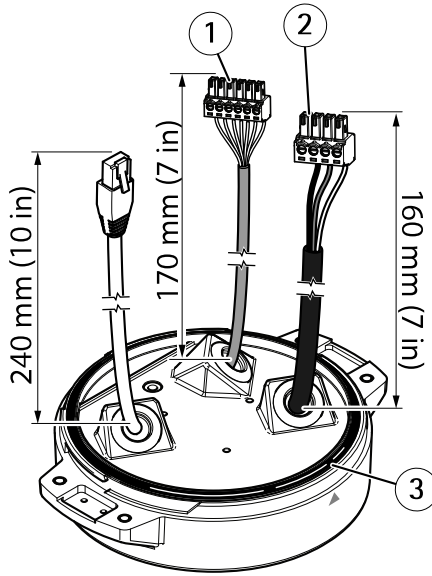
- 1 Cable de alimentación (no incluido)
- 2 Cable de E/S (opcional, no incluido)
- 3 Cable de red (no incluido)
- 4 Junta de cable
- 5 Cubierta transparente de la unidad base

8. Ponga juntas en los cables. Consulte *Grosor del cable en la página 133*.
9. Pase los cables de alimentación, E/S y red con las juntas por los orificios de la cubierta transparente de la unidad base y dispóngalos como se muestra en la ilustración anterior.

AVISO

Si usa un cable de fibra óptica y un cable RJ45 para la conexión de red, pase el cable de fibra óptica por la misma junta que el cable de E/S. Aplique un sellador entre los cables y la junta de cable para que no haya fugas. Para obtener más información sobre las opciones de conectividad de la red, consulte *Instalación del enlace de red en la página 125*.

10. Vuelva a poner la cubierta transparente de la unidad base en la unidad y ponga las juntas de cable en los orificios.



- 1 Conector de E/S
- 2 Conector de alimentación
- 3 Junta tórica

AVISO

Asegúrese de que el cable de tierra protector sea unos 10 mm más largo que los otros dos cables del cable de alimentación, de forma que no se desconecte accidentalmente si se tira de él.

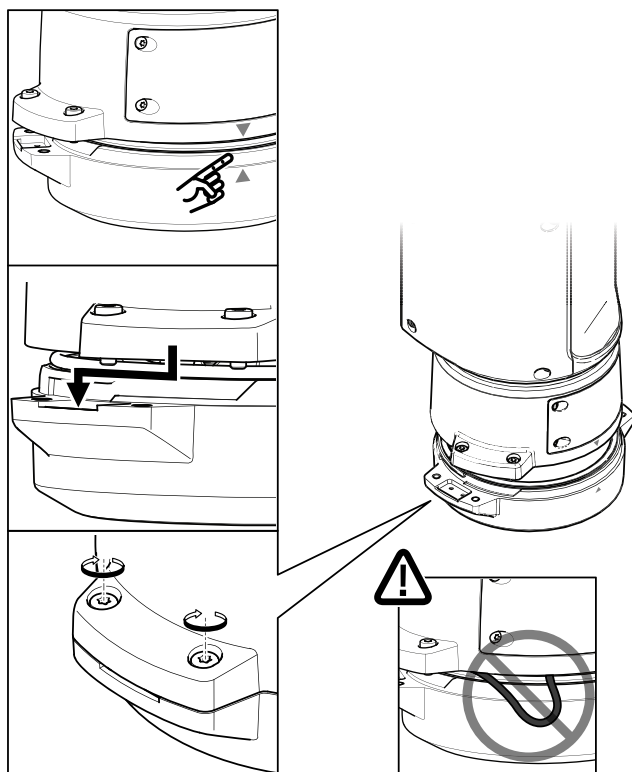
Nota

Recomendamos pelar unos 90 mm de la funda del cable de alimentación y unos 70 mm de la funda del cable de E/S para facilitar la instalación.

11. Para instalar los conectores de alimentación y E/S, consulte *Conectores en la página 131*.
12. Ajuste los cables de red, E/S y alimentación de forma que la distancia entre la junta de cable y el extremo del conector sea de 240 mm, 170 mm y 160 mm respectivamente.

AVISO

Compruebe que la junta tórica está bien puesta en torno a la cubierta transparente de la unidad base.

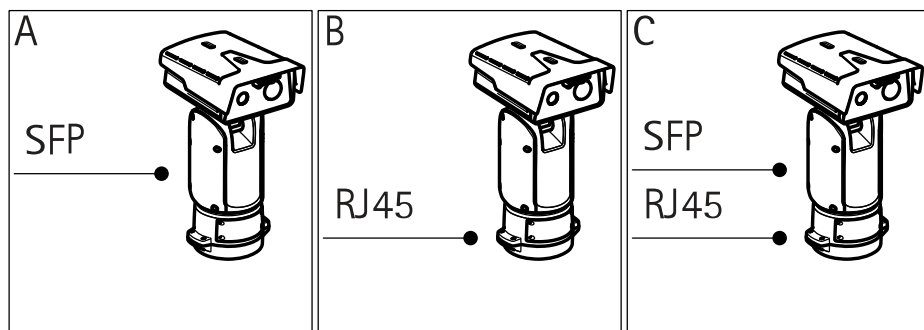


13. Vuelva a poner la unidad de posicionamiento en la unidad base, comprobando que las flechas de ambas unidades están alineadas.
14. Gire la unidad de posicionamiento en sentido horario hasta su posición original y apriete los cuatro tornillos de la base (par 3,0 Nm).

AVISO

Compruebe que los cables no quedan presionados al montar las dos unidades.

Instalación del enlace de red



Existen distintas opciones para instalar el enlace de red:

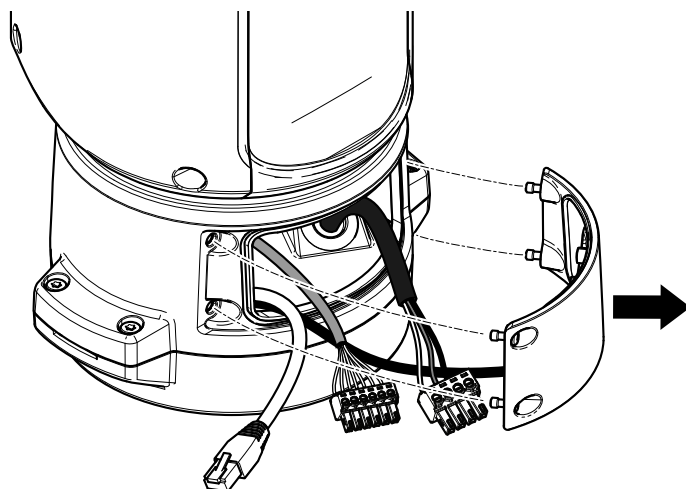
- A: a través de un cable de fibra óptica o RJ45 conectado al módulo SFP (el conector necesario) en la ranura SFP.
- B: con un cable RJ45 unido al conector RJ45 fijado.
- C: mediante las dos opciones anteriores, en cuyo caso la conexión a través del módulo SFP funciona como enlace de red principal y la conexión a través del conector RJ45 fijado es el enlace para casos de error.

Para obtener más información sobre las ubicaciones de los conectores de red, consulte *Conectores en la página 131*.

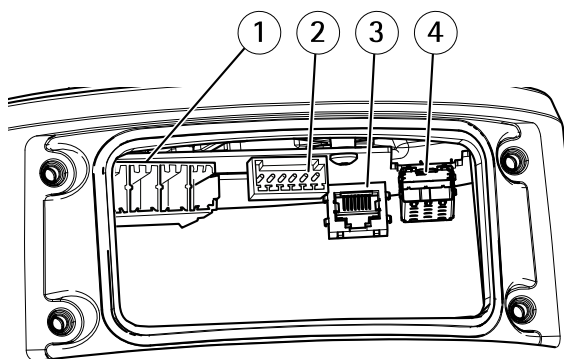
Nota

- El módulo SFP no se incluye. Para obtener información sobre los módulos SFP disponibles, consulte www.axis.com.
- El establecimiento del enlace de red únicamente con el cable de fibra óptica a través del módulo SFP respectivo funciona como solución independiente en instalaciones con cables de largo alcance.

Conexión de los cables



1. Afloje los cuatro tornillos (T20) de la tapa de la base y retírela.

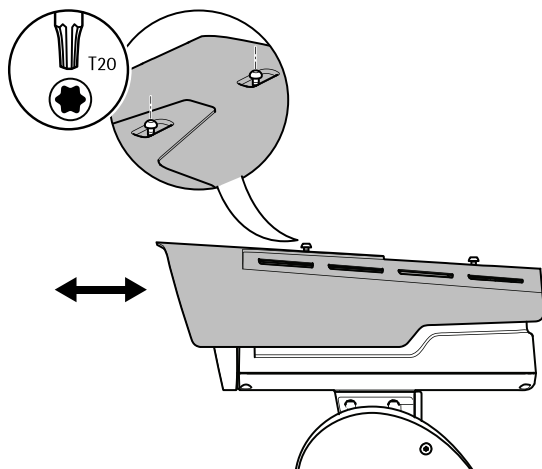


- 1 Conector de entrada de corriente
- 2 Conector de E/S
- 3 Conector RJ45
- 4 Ranura SFP para módulo SFP (módulo SFP no incluido)

2. Conecte la red (fibra óptica o RJ45), la E/S y los cables de alimentación. Para obtener más información sobre las opciones de conectividad de la red, consulte *Instalación del enlace de red* en la página 125.

3. Vuelva a colocar la tapa y apriete los cuatro tornillos de la tapa (par 3,0 Nm).
4. Conecte la alimentación del producto.

Cómo ajustar el parasol



1. Afloje los dos tornillos del parasol.
2. Coloque el parasol en la posición que prefiera.
3. Apriete los dos tornillos del parasol (par 0,8 Nm).

Cómo acceder al producto

Se recomiendan AXIS IP Utility y AXIS Camera Management como métodos para buscar los productos de Axis en la red y asignarles direcciones IP en Windows®. Ambas aplicaciones son gratuitas y pueden descargarse de www.axis.com/support


El producto se puede utilizar con los siguientes navegadores:

- Chrome™ (recomendado), Firefox®, Edge® u Opera® con Windows®
- Chrome™ (recomendado) o Safari® con OS X®
- Chrome™ o Firefox® con otros sistemas operativos.


Para obtener más información sobre el uso del producto, consulte el manual del usuario, disponible en www.axis.com.

Restablecimiento a la configuración predeterminada de fábrica

⚠️ ATENCIÓN

 Riesgo de lesiones. Piezas móviles. No acerque ninguna parte del cuerpo al producto mientras esté funcionando. Desconecte la fuente de alimentación antes de realizar trabajos de instalación o mantenimiento en el producto.

⚠️ ATENCIÓN

 Riesgo de lesiones. Superficie caliente. No toque el producto durante su funcionamiento. Desconecte la fuente de alimentación y deje que se enfrien las superficies antes de realizar trabajos de mantenimiento en el producto.

AVISO

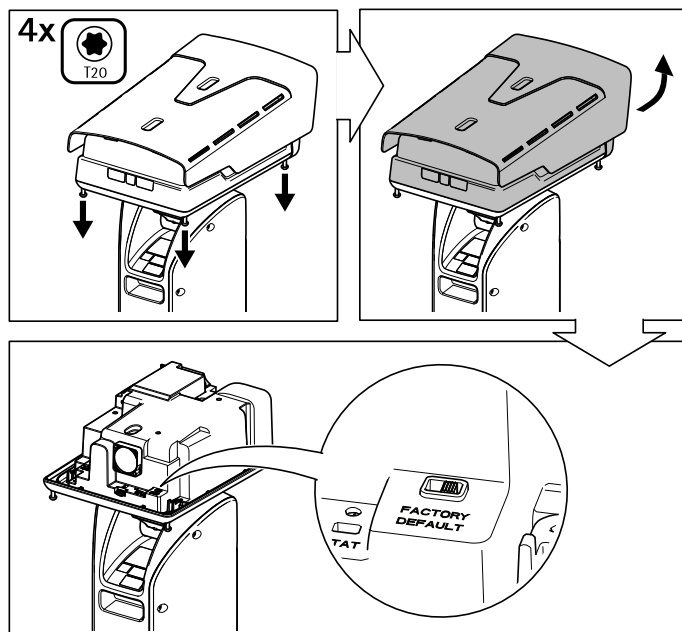
Retire las partes expuestas de la cubierta superior de la cámara visual que sean sensibles al impacto. Evite golpear la cámara cuando no esté protegida por tener la cubierta superior desmontada.

Importante

La función de restablecer los ajustes predeterminados de fábrica debe utilizarse con precaución. Todos los valores, incluida la dirección IP, se restablecerán a la configuración predeterminada de fábrica.

Nota

Las herramientas del software de instalación y gestión están disponibles en las páginas de asistencia técnica en www.axis.com/support/downloads.



1. Desconecte la alimentación del producto.
2. Afloje los cuatro tornillos de la cubierta superior y retírela.
3. Cambie la posición del conmutador predeterminado de fábrica.
4. Vuelva a colocar la cubierta superior y apriete los tornillos (par 2,0 Nm).
5. Vuelva a conectar la alimentación del producto.

También puede restablecer los parámetros a los ajustes predeterminados de fábrica a través de las páginas web. Vaya a **Settings (Configuración) > System (Sistema) > Maintenance (Mantenimiento)** y haga clic en **Default (Predeterminado)**.

Más información

- Para consultar la versión más reciente de este documento, vaya a axis.com.
- El manual de usuario se encuentra disponible en axis.com.
- Para comprobar si existe un firmware actualizado disponible para su dispositivo, vaya a axis.com/support.
- Para consultar webinars y cursos en línea que pueden resultarle útiles, vaya a axis.com/academy.

Accesorios opcionales

Para conocer una lista completa de los accesorios disponibles para este producto, vaya a la página de productos en axis.com y seleccione Software y accesorios.

Información de garantía


Para obtener más detalles sobre la garantía del producto Axis y la información relacionada con ella, visite axis.com/warranty.

Especificaciones


Para acceder a la versión más reciente de la hoja de datos del producto, visite la página del producto en axis.com y localice **Soporte técnico y documentación**.

Ranura para tarjetas SD

⚠️ ATENCIÓN

 Riesgo de lesiones. Piezas móviles. No acerque ninguna parte del cuerpo al producto mientras esté funcionando. Desconecte la fuente de alimentación antes de realizar trabajos de instalación o mantenimiento en el producto.

⚠️ ATENCIÓN

 Riesgo de lesiones. Superficie caliente. No toque el producto durante su funcionamiento. Desconecte la fuente de alimentación y deje que se enfríen las superficies antes de realizar trabajos de mantenimiento en el producto.

AVISO

- Riesgo de daños en la tarjeta SD. No emplee herramientas afiladas, objetos de metal ni demasiada fuerza al insertar o extraer la tarjeta SD. Utilice los dedos para insertar o extraer la tarjeta.
- Riesgo de pérdida de datos y grabaciones dañadas. No extraiga la tarjeta SD mientras el producto esté en funcionamiento. Desinstale la tarjeta SD desde la página web de producto antes de retirarla.

Este producto admite tarjetas microSD/microSDHC/microSDXC (no incluidas).

Para conocer las recomendaciones de tarjeta SD, consulte axis.com.

Conectores

Conector de red

Conector Ethernet RJ45.

Conector SFP.

AVISO

El producto debe conectarse mediante un cable de red blindado (STP) o un cable de fibra óptica. Todos los cables que conecten el producto a la red deberán estar blindados para su uso específico. Asegúrese de que los dispositivos de red estén instalados de conformidad con las instrucciones del fabricante. Para obtener información sobre los requisitos normativos, vea *Electromagnetic compatibility (EMC) on page 4*.

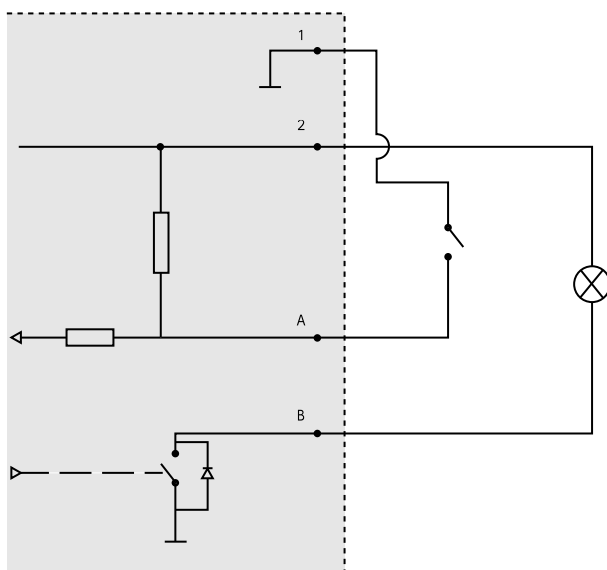
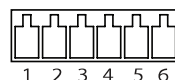
Conector de E/S

Utilice el conector de E/S con dispositivos externos en combinación con detección de movimiento, activación de eventos y notificaciones de alarma, por ejemplo. Además del punto de referencia de 0 V CC y la alimentación (salida de CC), el conector de E/S ofrece una interfaz para:

Entrada digital – Conectar dispositivos que puedan alternar entre circuitos cerrados y abiertos, por ejemplo, sensores PIR, contactos de puertas y ventanas o detectores de cristales rotos.

Salida digital – Conectar dispositivos externos como relés y LED. Los dispositivos conectados se pueden activar mediante la interfaz de programación de aplicaciones VAPIX® o en la página web del producto.

Bloque de terminales configurable de 6 pines



- 1 0 V CC (-)
- 2 Salida de CC 12 V, 50 mA máx.
- A E/S configurada como entrada
- B E/S configurada como salida

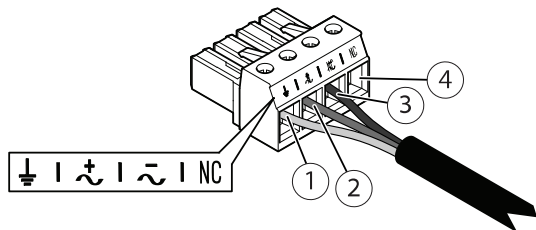
Conector de alimentación

Bloque de terminales de 4 pines para la entrada de alimentación.

Conector de alimentación de 24 V CA/CC

AVISO

Esta sección solo es válida para los productos con alimentación de 24 V CA y 24 V CC.



Posición	24 V CA	24 V CC
1	Conexión a tierra de protección	Conexión a tierra de protección
2	Fase de 24 V CA	+ 24 V
3	Neutro de 24 V CA	0 V
4	No conectado	No conectado

Cables

Grosor del cable

El diámetro del cable, si se usan las juntas para cables suministradas con este producto, debe ser de entre 5 y 11 mm.

AVISO

- Utilice cables que puedan permanecer dentro del área de cableado especificada.
- Elija cables que cumplan la normativa local aplicable.
- Asegúrese de que todos los orificios para cables estén debidamente sellados.
- Utilice juntas de cable o prensaestopas que se ajusten tanto al orificio para cable como al área de cableado.

Para obtener información acerca de los accesorios, como juntas de cable y prensaestopas permitidos para otras áreas de cableado, visite www.axis.com.

Condiciones de funcionamiento

El producto de Axis se ha creado para su uso en interiores y exteriores.

Temperatura	Humedad
Temperatura de funcionamiento: de -50 °C a 55 °C Arranque en frío (tiempo de arranque inferior a 1 hora para estar completamente operativa): -40 °C	Humedad relativa: 10-100 % (sin condensación)

Consumo de energía

Producto	Consumo normal	Consumo máximo
AXIS Q8741-E 24 V CA/CC AXIS Q8742-E 24 V CA/CC	16 W	204 W

Importante

Cuando se utilice el cable AXIS de 22 m de 24 V CC/24-240 V CA, se necesitará una fuente de alimentación capaz de suministrar 300 W para compensar la pérdida de potencia en el cable.

AVISO

Los valores de consumo de energía normales se basan en lo siguiente:

- No se tienen en cuenta las pérdidas en el cable de alimentación
- No hay motores de movimiento horizontal/vertical, zoom y foco activados
- La temperatura es de 25 °C (todos los calefactores están apagados)
- Una transmisión H.264 a resolución máxima
- La transmisión MJPEG se graba en una tarjeta SD

安全情報

危険レベル

▲危険

回避しない場合、死亡または重傷につながる危険な状態を示します。

▲警告

回避しない場合、死亡または重傷につながるおそれのある危険な状態を示します。

▲注意

回避しない場合、軽傷または中程度の怪我につながるおそれのある危険な状態を示します。

注記

回避しない場合、器物の破損につながるおそれのある状態を示します。

その他のメッセージレベル

重要

製品を正しく機能させるために不可欠な重要情報を示します。

注意

製品を最大限に活用するために役立つ有用な情報を示します。

安全手順


▲危険

感電の危険があります。製品の設置やメンテナンスを行う前にすべてのケーブルの通電を切ってください。


▲警告

本製品の設置は、お使いになる地域の法律や規制に準拠して、訓練を受けた専門技術者が行ってください。

▲注意

 損傷の危険があります。可動部分。動作中は、体を製品に近づけないでください。製品の設置やメンテナンスを行う前に、電源を切ってください。

▲注意

 損傷の危険があります。表面が熱くなります。動作中は、本製品に触れないでください。製品のメンテナンスを行う前に、電源を切り、表面が冷えるまで待ってください。

注記

- 本製品は、お使いになる地域の法律や規制に準拠して使用してください。
- 本製品は乾燥した換気のよい環境に保管してください。
- 本製品に衝撃または強い圧力を加えないでください。
- 本製品を不安定なポール、ブラケット、表面、または壁に設置しないでください。
- 本製品を設置する際には、適切な工具のみを使用してください。電動工具を使用して過剰な力をかけると、製品が損傷することがあります。
- 化学薬品、腐食剤、噴霧式クリーナーは使用しないでください。
- 清掃には、きれいな水に浸した清潔な布を使用してください。
- 製品の技術仕様に準拠したアクセサリーのみを使用してください。これらのアクセサリーは、Axisまたはサードパーティから入手できます。Axisは、ご使用の製品と互換性のあるAxis給電ネットワークスイッチの使用を推奨します。
- Axisが提供または推奨する交換部品のみを使用してください。
- 製品を自分で修理しないでください。修理については、Axisサポートまたは販売代理店にお問い合わせください。
- 太陽などの高輝度の光源にはカメラのレンズを向けないでください。カメラが損傷することがあります。

輸送

注記

- 本製品を運搬する際は、製品が損傷しないよう、元の梱包か同等の梱包を使用してください。

バッテリー

本製品は、内部リアルタイムクロック (RTC) 用電源として、3.0V BR2032 リチウムバッテリーを使用します。このバッテリーは、通常条件下で最低5年間使用できます。

バッテリーが低電力状態になると、RTCの動作に影響し、電源を入れるたびにRTCがリセットされます。バッテリーの交換が必要になると、製品のサーバーレポートにログメッセージが表示されます。サーバーレポートの詳細については、製品の設定ページを参照するか、Axisサポートまでお問い合わせください。

必要な場合以外はバッテリーを交換しないでください。バッテリーの交換が必要な場合は、Axisサポート axis.com/support までご連絡ください。

リチウムコイン型3.0V電池は、1,2-ジメトキシエタン (エチレングリコールジメチルエーテル (EGDME)、CAS番号110-71-4) を含有しています。

警告

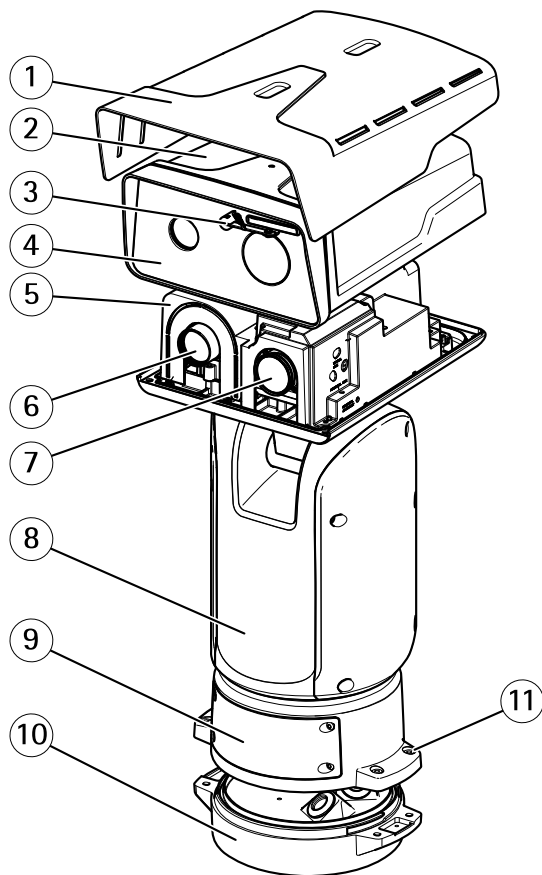
- バッテリーは、正しく交換しないと爆発する危険があります。
- 交換用バッテリーとしては、同一品またはAxisが推奨するバッテリーのみを使用してください。
- 使用済みバッテリーは、地域の規制またはバッテリーメーカーの指示に従って廃棄してください。

パッケージの内容

- AXIS Q87バイスペクトルPTZネットワークカメラ
- 電源コネクタ
- I/Oコネクタ
- Torx® ビットT20およびT30
- RJ45用取付ツール
- 印刷物
 - インストールガイド (本書)
 - 予備のシリアル番号ラベル (×2)
 - AVHS認証キー

ハードウェアの概要

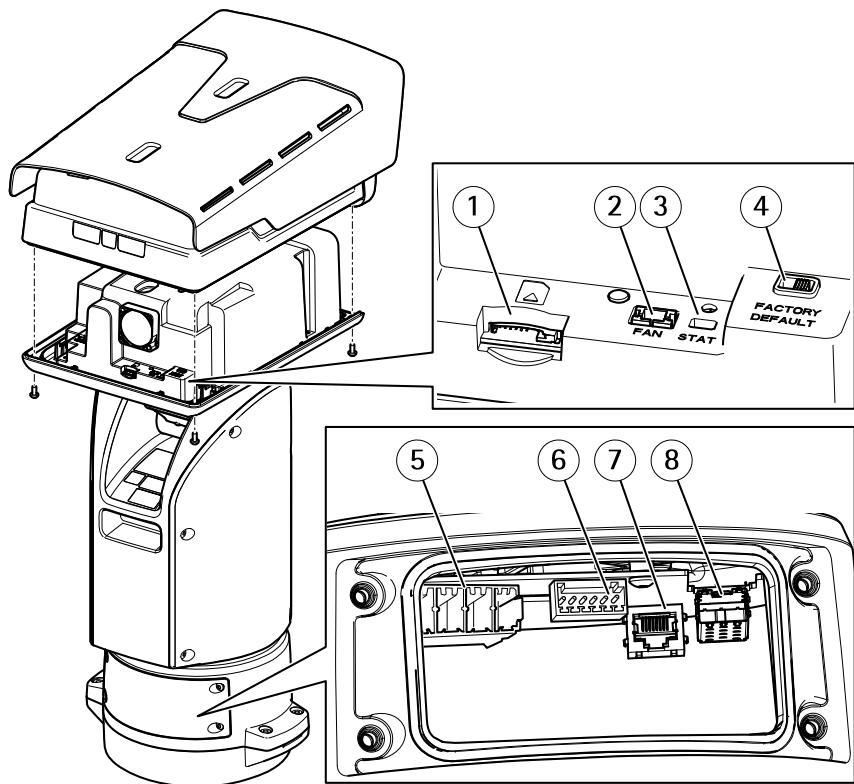
ハードウェアコンポーネントの仕様については、155ページの、仕様を参照してください。



- 1 ウェザーシールド
- 2 上蓋
- 3 ワイパー
- 4 保護フィルムを備えたフロント
- 5 内部カバー
- 6 サーマルレンズ
- 7 ビジュアルレンズ

AXIS Q87 Bispectral PTZ Network Camera Series

- 8 ポジショニングユニット
- 9 蓋
- 10 ベースユニット
- 11 ベースユニットのネジ



- 1 SDカードスロット (microSDHC UHS-I/microSDXC UHS-I)
- 2 ファンコネクタ
- 3 ステータスLED
- 4 工場出荷時の設定スイッチ
- 5 入力電力コネクタ
- 6 I/Oコネクタ
- 7 RJ45コネクタ
- 8 SFPモジュール用SFPスロット (SFPモジュールは付属していません)

製品の取り付け方法

▲危険

感電の危険があります。製品を設置する前に、すべてのケーブルの通電を切ってください。

▲注意

電気接続およびコンジットの取り付けは、必ず資格のある電気技師が地域の規制に従って行ってください。

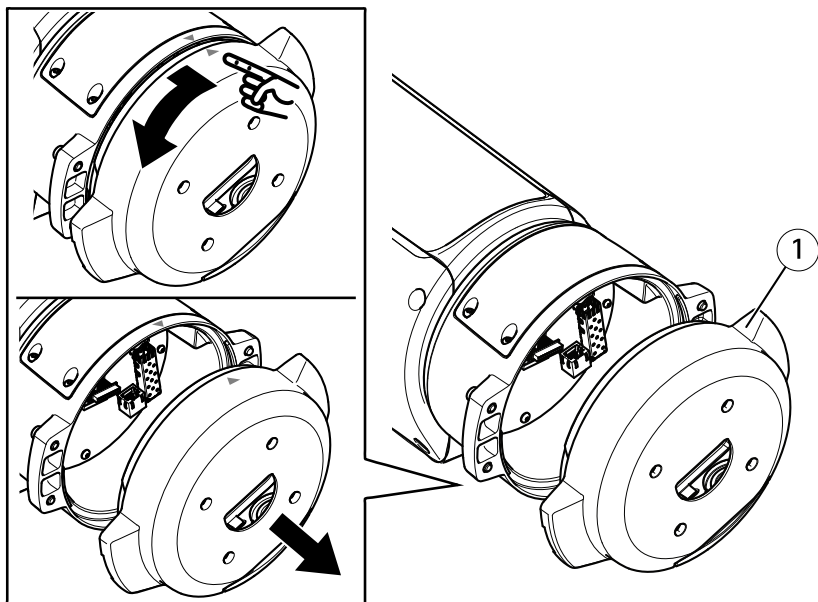
▲注意

⚠ 損傷の危険があります。可動部分。動作中は、体を製品に近づけないでください。製品の設置やメンテナンスを行う前に、電源を切ってください。

▲注意

⚠ 損傷の危険があります。熱くなっている表面。動作中は、本製品に触れないでください。製品のメンテナンスを行う前に、電源を切り、表面が冷えるまで待ってください。

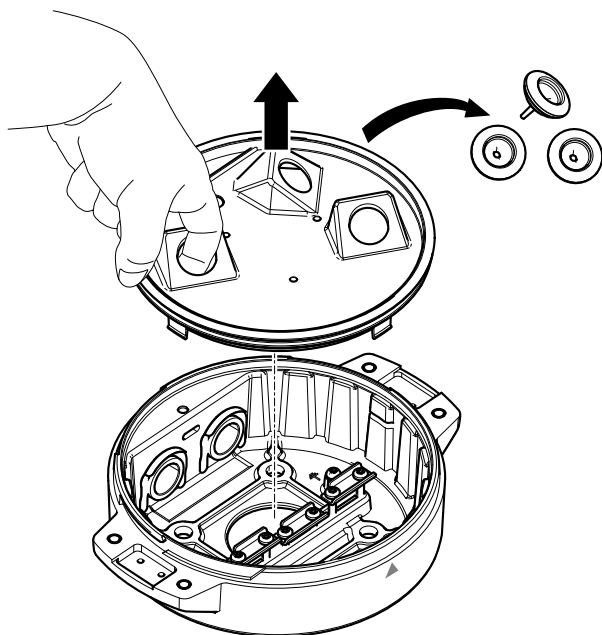
ベースユニットの取り付け



1 ベースユニット

AXIS Q87 Bispectral PTZ Network Camera Series

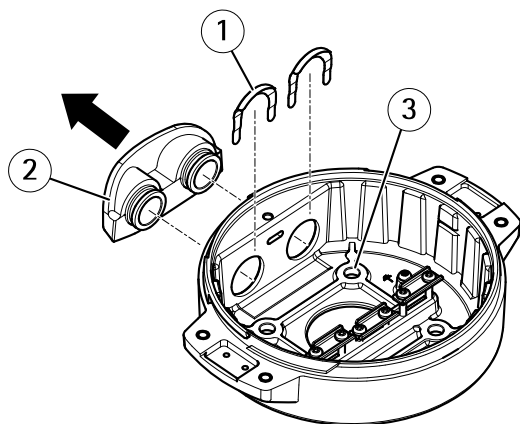
1. ベースユニットのネジ4本 (T30) を外します。
2. ベースユニットを引きながら反時計回りに回し、ベースユニット上の矢印と他のユニット上の矢印の位置を合わせます。
3. ベースユニットを取り外します。



注記

透明ベースユニットカバーの取り外しの際には、鋭利な工具を使用しないでください。

4. 透明ベースユニットカバーを取り外します。



- 1 コンジットカバークリップ
- 2 コンジットカバー
- 3 ネジ穴 (x4)

5. コンジットの取り付けの場合にのみ、2つのコンジットカバークリップを取り外し、コンジットカバーを取り外します。
6. 4つのネジ穴に適したファスナーを使用して、ベースユニットを取付面に取り付けます。

JA

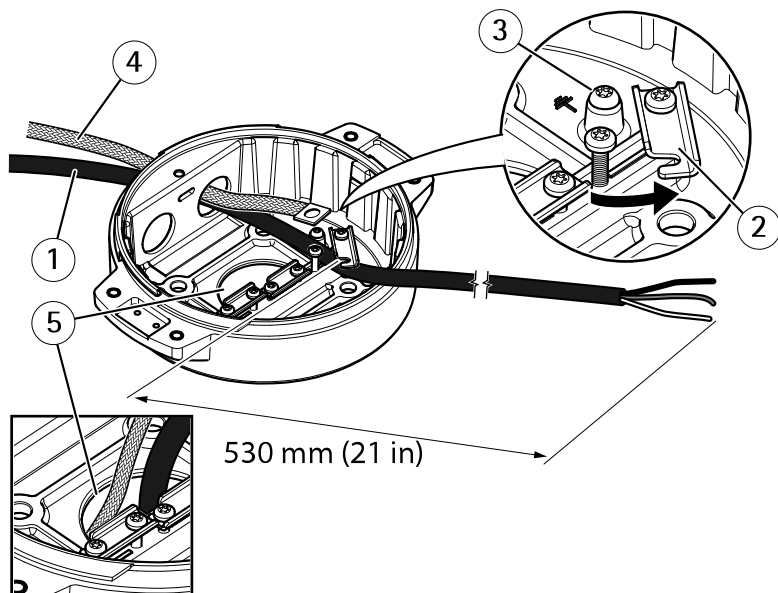
ケーブルの配線

▲警告

感電の危険があります。本製品は、電源ケーブルおよび接地編組の両方に保護アース線を使用して接地するものとします。保護アース線と接地編組のそれぞれの両端がいずれもアース面と接触していることを確認してください。

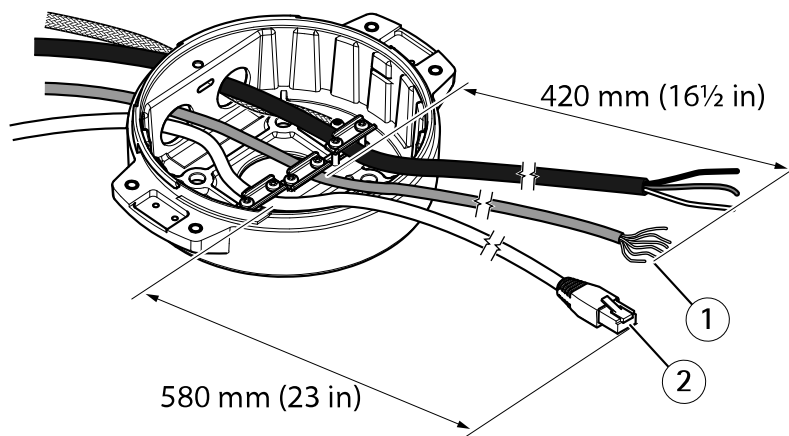
重要

指定のケーブルエリアでの仕様に準拠したケーブルのみ使用してください。詳細については、157ページの、ケーブルの太さを参照してください。



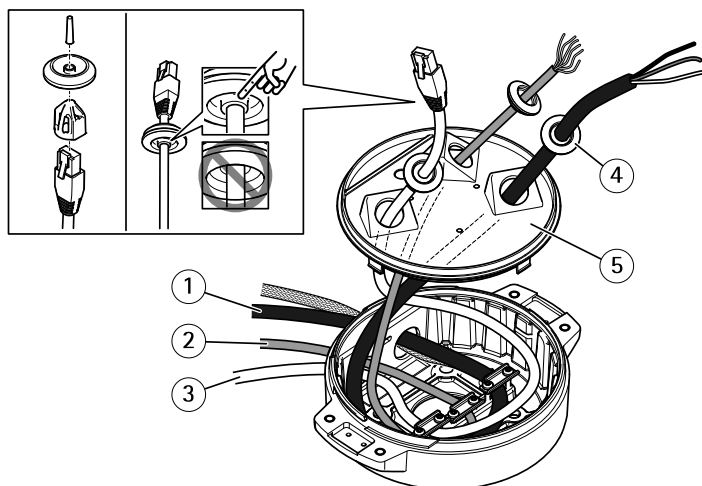
- 1 電源ケーブル (付属していません)
- 2 ストレインリリーフ
- 3 アース端子ネジ
- 4 接地編組 (付属していません)
- 5 底部ケーブル孔

1. オプションのコンジットアダプター (付属していません) を取り付けます。
2. 接地編組をアース端子ネジに接続します。
3. 上図に示すように、ベースユニットの穴から電源ケーブル、I/Oケーブル、およびネットワークケーブルを挿入します。あるいは、それらを底部ケーブル孔から挿入します。
4. ストレインリリーフからケーブルの先端までの距離が530 mmになるように、ストレインリリーフを通じて電源ケーブルを挿入します。



- 1 I/Oケーブル(オプション、付属していません)
- 2 ネットワークケーブル(付属していません)

5. ストレインリリーフからケーブルの先端までの距離が420 mmになるように、ストレインリリーフを通じてI/Oケーブル(オプション)を挿入します。
6. ストレインリリーフからコネクタの先端までの距離が580 mmになるように、ストレインリリーフを通じてネットワークケーブル(光ファイバーケーブルやRJ45ケーブル)を挿入します。さまざまなネットワーク接続オプションの詳細については、149ページの、ネットワークリンクのインストールを参照してください。
7. 3つのストレインリリーフを閉じて締めます。



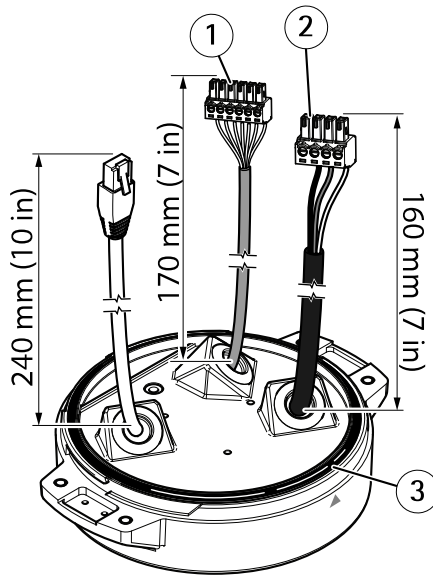
- 1 電源ケーブル (付属していません)
- 2 I/Oケーブル (オプション、付属していません)
- 3 ネットワークケーブル (付属していません)
- 4 ケーブルガスケット
- 5 透明ベースユニットカバー

8. ケーブルに合ったケーブルガスケットを取り付けます。157ページの、ケーブルの太さを参照してください。
9. 上図に示すように、ケーブルガスケットを含めて、電源ケーブル、I/Oケーブル、ネットワークケーブルを透明ベースユニットのカバー孔から挿入し、ケーブルの配置を調整します。

注記

光ファイバーとRJ45ケーブルの両方をネットワーク接続に使用している場合、光ケーブルはI/Oケーブルと同じケーブルガスケットを通します。漏電防止のために、シーラントをケーブルとケーブルガスケットの間に貼り付けます。さまざまなネットワーク接続オプションの詳細については、149ページの、ネットワークリンクのインストールを参照してください。

10. ベースユニットの透明ベースユニットカバーを交換し、穴の内側にケーブルガスケットをはめ込みます。



- 1 I/Oコネクタ
- 2 電源コネクタ
- 3 O-リング

注記

保護アース線は他の2本の線(電源ケーブル)より10 mmほど長くし、引っ張られたときに不意に切断しないようにしてください。

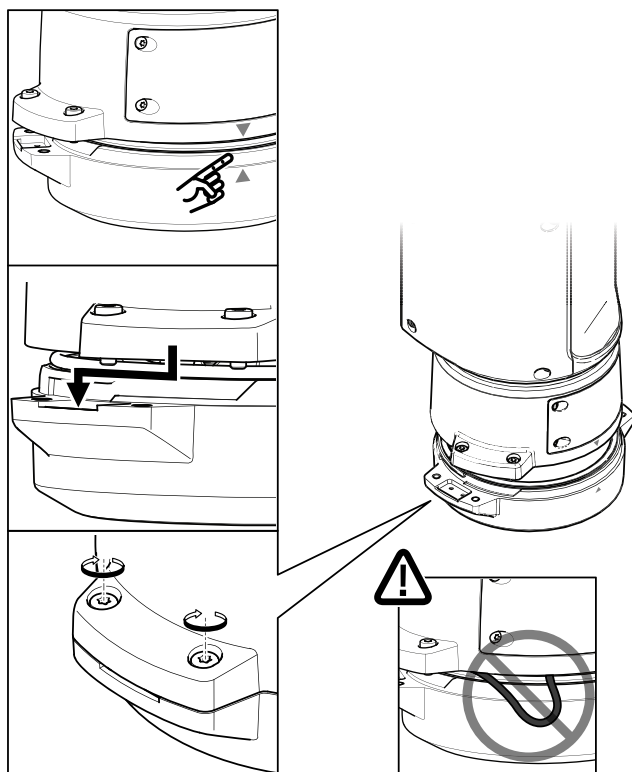
注意

簡単に取り付けるために、電源ケーブルジャケットを約90 mm、およびI/Oケーブルジャケットを70 mm剥ぐことをお勧めします。

11. 155ページの、コネクタを参照して電源およびI/Oコネクタを取り付けます。
12. ネットワークケーブル、I/Oケーブル、および電源ケーブルのケーブルガasketからコネクタの端までの距離が、それぞれ240 mm、170 mm、160 mmになるように調整します。

注記

O-リングが透明ベースユニットカバーに正しく取り付けられていることを確認します。

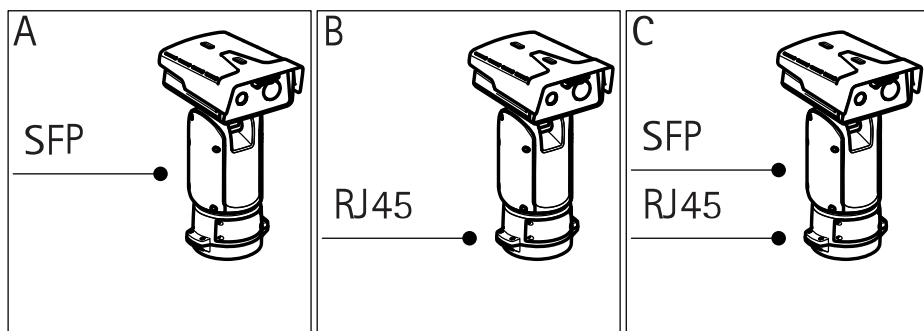


13. ポジショニングユニットをベースユニットの上に戻し、2つのユニット上の矢印の位置が合っていることを確認します。
14. ポジショニングユニットを元の位置に戻るまで時計回りに回し、ベースユニットのネジ4本を締めます(トルク3.0 Nm)。

注記

2つのユニットを取り付けるときにケーブルが締め付けられないように注意してください。

ネットワークリンクのインストール



ネットワークリンクのインストールには、次のようにさまざまなオプションがあります。

- A: SFPポートで(それぞれのコネクタを使用して)SFPモジュールに接続された光ファイバーまたはRJ45ケーブルを介して接続。
- B: 固定RJ45コネクタに接続されたRJ45ケーブルを介して接続。
- C: 上記の両方を使用して接続。この場合、SFPモジュール経由の接続をプライマリネットワークリンクとして使用し、固定RJ45コネクタ経由の接続はフェイルオーバーリンクとして使用します。

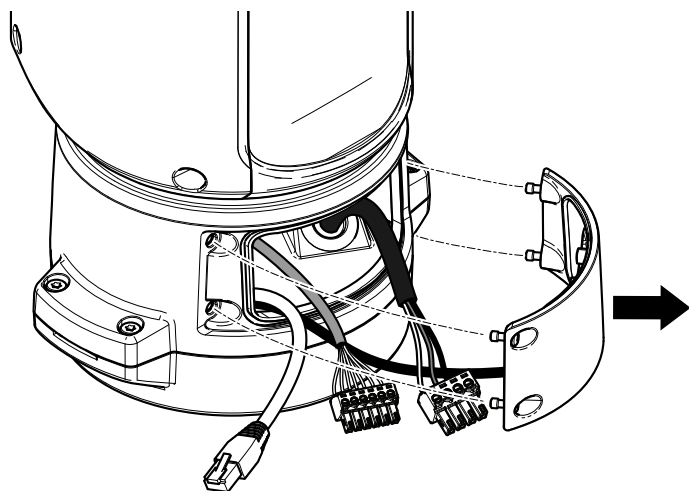
JA

ネットワークコネクタの位置の詳細については、155ページの、コネクタを参照してください。

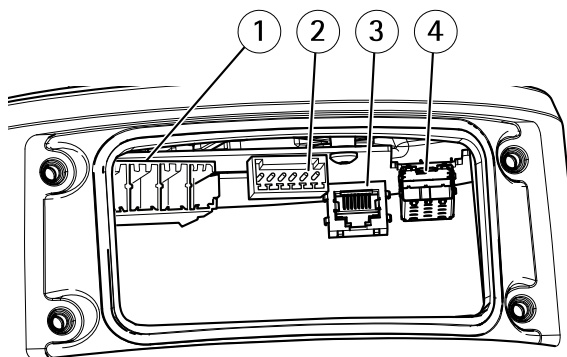
注意

- SFPモジュールは付属していません。利用可能なSFPモジュールについては、www.axis.comを参照してください。
- 当該SFPモジュールを使用する光ファイバーケーブルのみを介してネットワークリンクを確立する方法は、ケーブルを長距離に設置するスタンドアロンのソリューションとして有効です。

ケーブルの接続



1. 4つの蓋止めネジ (T20) をゆるめ、蓋を取り外します。

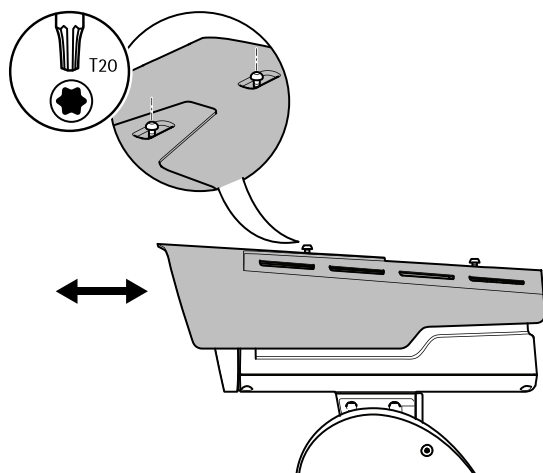


- 1 入力電力コネクタ
 - 2 I/Oコネクタ
 - 3 RJ45コネクタ
 - 4 SFPモジュール用SFPスロット (SFPモジュールは付属していません)
2. ネットワーク (光ファイバーまたはRJ45) に接続し、I/Oおよび電源ケーブルを接続します。さまざまなネットワーク接続オプションの詳細につ

いては、149ページの、ネットワークリンクのインストールを参照してください。

3. 蓋を元に戻し、4つの蓋止めネジを締めます (トルク3.0 Nm)。
4. 製品の電源を入れます。

ウェザーシールドの調整方法



1. ウェザーシールドの2つのネジを緩めます。
2. 希望位置にウェザーシールドを取り付けます。
3. ウェザーシールドの2つのネジを締めます (トルク0.8 Nm)。

製品のアクセス方法

ネットワーク上でAxis製品を検索したり、Windows®でそれにIPアドレスを割り当てるには、AXIS IP UtilityまたはAXIS Camera Managementの使用をお勧めします。いずれのアプリケーションも無料で、www.axis.com/supportからダウンロードできます。


製品は次のブラウザで使用できます。

- Chrome™ (推奨)、Firefox®、Edge®、またはOpera® (Windows®を使用する場合)
- Chrome™ (推奨)、またはSafari® (OS X®を使用する場合)
- Chrome™またはFirefox® (その他のオペレーティングシステムの場合)


製品の使用の詳細については、Axisのホームページ (www.axis.com) でユーザーズマニュアルを参照してください

工場出荷時の設定にリセットする

▲注意

 損傷の危険があります。可動部分があります。動作中は、体を製品に近づけないでください。製品の設置やメンテナンスを行う前に、電源を切ってください。

▲注意

 損傷の危険があります。表面が熱くなります。動作中は、本製品に触れないでください。製品のメンテナンスを行う前に、電源を切り、表面が冷えるまで待ってください。

注記

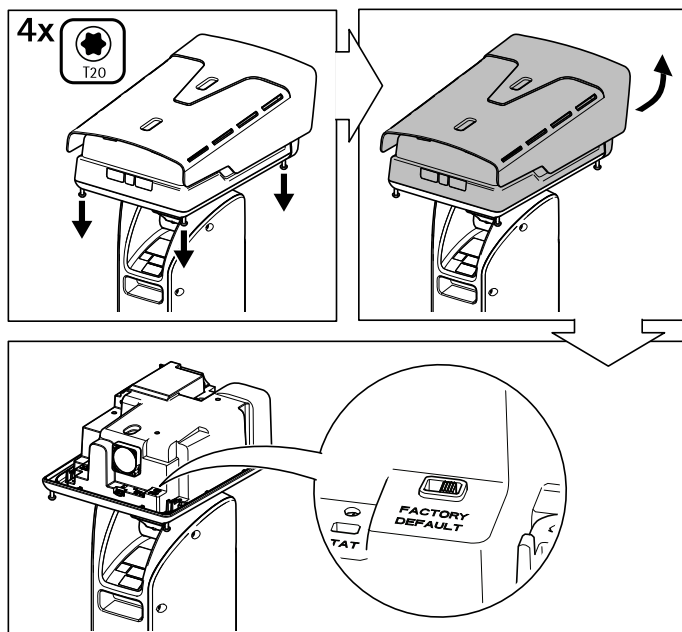
上蓋を取り外すと、ビジュアルカメラの衝撃に繊細な部分が現れます。分解時に上蓋で保護されていないカメラを叩かないでください。

重要

工場出荷時の設定へのリセットは慎重に行ってください。工場出荷時の設定へのリセットを行うと、IPアドレスを含むすべての設定が工場出荷時の値にリセットされます。

注意

www.axis.com/support/downloadsのサポートページに、インストールおよび管理用のソフトウェアツールが用意されています。



1. 本製品の電源を切ります。
2. トップカバー用ネジ4本を緩めて、トップカバーを取り外します。
3. 工場出荷時の設定スイッチの位置を変更します。
4. 上蓋を取り付けて、ネジを締めます (トルク 2.0 Nm)。
5. 本製品に電源を再投入します。

本製品のWebページを使用して、各種パラメーターを工場出荷時の設定に戻すこともできます。[Settings (設定)] > [System (システム)] > [Maintenance (メンテナンス)] を選択し、[Default (デフォルト)] をクリックします。

関連情報

- 本書の最新バージョンについては、axis.comにアクセスしてください。
- ユーザーズマニュアルは、axis.comで入手できます。
- ご使用のデバイスの新しいファームウェアがリリースされていないかを確認するには、axis.com/supportにアクセスしてください。
- 役に立つオンライントレーニングおよびWebセミナーをご用意しております。axis.com/academyをご覧ください。

オプションアクセサリ

本製品で利用可能なすべてのアクセサリについては、axis.comで本製品のページを開いて「ソフトウェア&アクセサリ」を参照してください。

保証情報


Axisの製品保証と関連情報については、axis.com/warrantyをご覧ください

仕様


最新バージョンの製品のデータシートについては、axis.comで本製品のページを開いて「サポートとドキュメント」へお進みください。

SDカードスロット

▲注意

 損傷の危険があります。可動部分。動作中は、体を製品に近づけないでください。製品の設置やメンテナンスを行う前に、電源を切ってください。

▲注意

 損傷の危険があります。表面が熱くなります。動作中は、本製品に触れないでください。製品のメンテナンスを行う前に、電源を切り、表面が冷えるまで待ってください。

注記

- SDカード損傷の危険があります。SDカードの挿入と取り外しの際には、鋭利な工具や金属性の物を使用したり、過剰な力をかけたりしないでください。カードの挿入や取り外しは指で行ってください。
- データ損失や録画データ破損の危険があります。本製品の稼働中はSDカードを取り外さないでください。取り外しの前に、製品のWebページからSDカードをマウント解除してください。

本製品は、microSD/microSDHC/microSDXCカードに対応しています (別売)。

推奨するSDカードについては、axis.comを参照してください

コネクタ

ネットワークコネクタ

RJ45イーサネットコネクタ。

SFPコネクタ。

注記

本製品は、シールドネットワークケーブル (STP) または光ファイバーケーブルを使用して接続してください。本製品は、用途に合ったケーブルを使用してネットワークに接続してください。ネットワーク装置がメーカーの指示どおりに設置されていることを確認します。法的要件については、*Electromagnetic compatibility (EMC) on page 4*を参照してください。

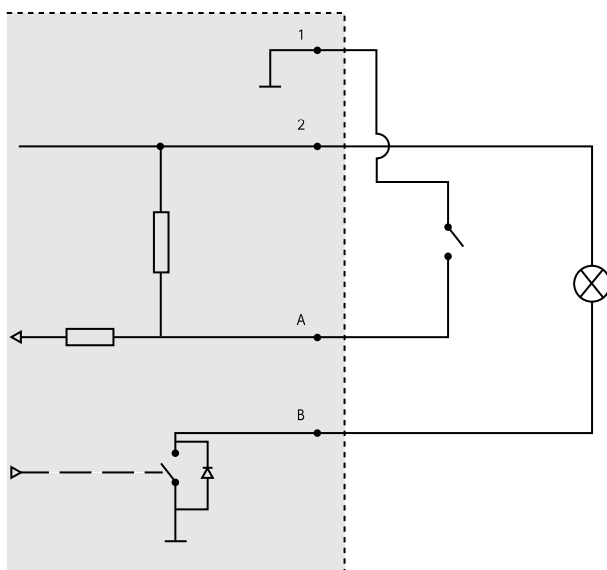
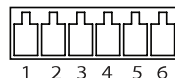
I/Oコネクタ

I/Oコネクタに外部装置を接続し、動体検知、イベントトリガー、アラーム通知などと組み合わせて使用することができます。I/Oコネクタは、0VDC基準点と電力(DC出力)に加えて、以下のインターフェースを提供します。

デジタル入力 - オープンサーキットとクローズサーキットの切り替えが可能なデバイス(PIRセンサー、ドア/窓の接触、ガラス破損検知器など)を接続するための入力です。

デジタル出力 - リレーやLEDなどの外部デバイスを接続します。接続されたデバイスは、VAPIX®アプリケーションプログラミングインターフェースまたは製品のWebページで有効にすることができます。

設定可能な6ピンターミナルブロック



- 1 0VDC (-)
- 2 DC出力12V、最大50mA
- A I/O(入力として設定)
- B I/O(出力として設定)

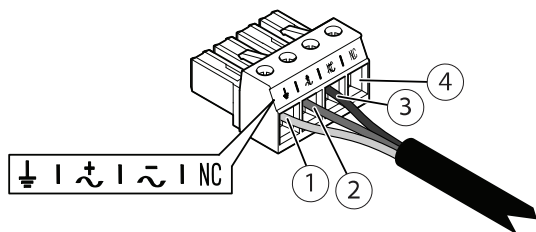
電源コネクタ

電源入力用4ピンターミナルブロック。

24V AC/DC 電源コネクタ

注記

このセクションは、24V AC/DC電源を使用する製品にのみ有効です。



位置	24 V AC	24 V DC
1	保護アース	保護アース
2	24 V ACフェーズ	+ 24 V
3	24 V ACニュートラル	0 V
4	未接続	未接続

JA

ケーブル

ケーブルの太さ

本製品に付属のケーブルガasketを使用する際、ケーブルは直径が5~11 mmのものを使用する必要があります。

注記

- 指定のケーブルエリアに収まるケーブルを使用してください
- 地域の規制に適合したケーブルを選択してください
- すべてのケーブル孔が適切に密封されていることを確認してください
- ケーブル孔とケーブルエリアの両方に適合するケーブルガasketまたはケーブルグランドを使用してください

他のケーブルエリアに対応するケーブルガasket、ケーブルグランドなどのアクセサリーについては、www.axis.comを参照してください。

動作条件

本製品は屋内および屋外対応モデルです。

温度	湿度
動作温度: -50 ° C ~ 55 ° C コールドスタートアップ (完全に機能するためには1時間未満の起動時間が必要) : -40 ° C	10 ~ 100% RH (結露不可)

消費電力

製品	通常消費電力	最大消費電力
AXIS Q8741-E 24 V AC/DC AXIS Q8742-E 24 V AC/DC	16 W	204 W

重要

22 mのAXISケーブル(24 V DC/24 ~ 240 V AC)を使用する場合、ケーブル内の電力損失を補償するために、300 Wの供給が可能な電源が必要です。

注記

通常消費電力値は以下の条件で算出されます。

- 電源ケーブル内の電力損失は考慮しない
- モーターのパン/チルト/ズーム/フォーカス/ワイパーは非アクティブ
- 温度は25 ° C (すべてのヒーターは切る)
- 最大解像度でのH.264ストリーミング1回
- MJPEGストリームはSDカードに録画

安全信息

危险等级

▲危险

表示如果不避免则会导致死亡或严重伤害的危险情况。

▲警告

表示如果不避免则可能导致死亡或严重伤害的危险情况。

▲小心

表示如果不避免则可能导致轻微或中度伤害的危险情况。

注意

表示如果不避免则可能导致财产损失的情况。

其他消息等级

重要

表示产品正常工作所必需的重要信息。

备注

表示有助于充分利用产品的有用信息。

安全说明


⚠危险

电击风险。安装产品或执行产品维护之前，所有电缆都应断电。


⚠警告

安讯士产品应由受过培训的专业人员进行安装，并遵守当地法律和法规。

⚠小心

 伤害风险。活动部件。操作期间，请保持身体部位远离产品。安装或维护产品时，请断开电源。

⚠小心

 伤害风险。灼热的表面。请勿在操作期间触摸该产品。执行产品维护时，请断开电源并让表面冷却。

注意

- 使用安讯士产品时应遵守当地法律和法规。
- 在干燥通风的环境中存放安讯士产品。
- 避免将安讯士产品暴露在冲击或高压环境下。
- 请勿将产品安装在不稳固的立杆、支架、表面或墙壁上。
- 安装安讯士产品时，仅使用适用的工具。使用电动工具过度施力可能导致产品损坏。
- 请勿使用化学品、腐蚀剂或气雾剂。
- 使用蘸纯净水的干净布进行清洁。
- 仅使用符合产品技术规格的附件。这些附件可由安讯士或第三方提供。安讯士推荐使用与产品兼容的安讯士电源设备。
- 仅使用安讯士提供或推荐的备件。
- 请勿尝试自行维修产品。有关服务事项，请联系安讯士支持部门或安讯士经销商。
- 请勿将摄像机镜头对准太阳或其他高强度辐射源，因为这可能会损坏摄像机。

运输

注意

- 安讯士产品运输途中，应使用其原包装或等效包装，以防对产品造成损坏。

电池

安讯士产品使用 3.0 V BR2032 锂电池作为其内部实时时钟 (RTC) 的电源。在正常情况下，此电池将持续至少五年。

蓄电池电量过低会影响实时时钟的运行，从而导致实时时钟在每次上电时重置。当电池需要更换时，产品的服务器报告中将显示一条日志消息。有关服务报告的更多信息，请参见产品的设置页面或与安讯士支持部门联系。

除非有需要，否则不应更换蓄电池，但是如果确实需要更换蓄电池，则请在 axis.com/support 上联系安讯士支持以寻求帮助。

3.0 V 纽扣锂电池包含 1,2-二甲氧基乙烷 (EGDME)，CAS 编码为 110-71-4。

警告

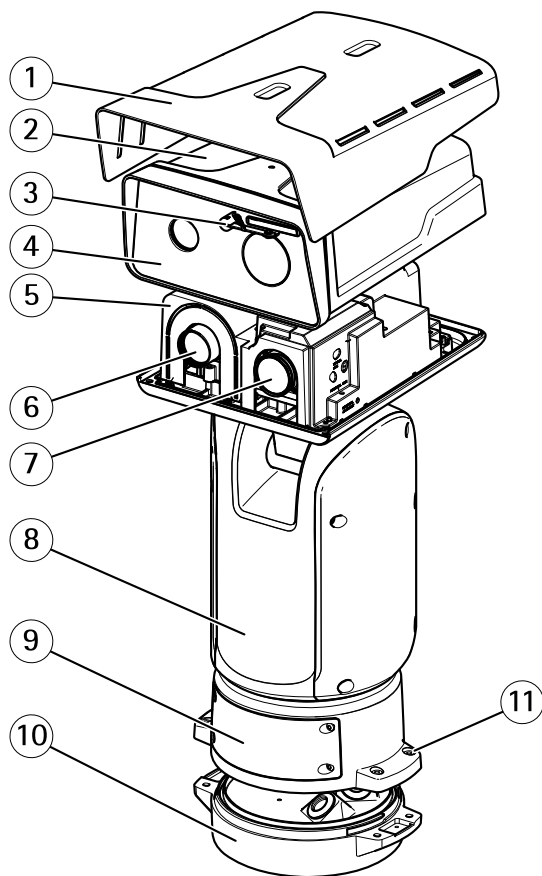
- 如果未正确更换电池，则存在爆炸危险。
- 仅可使用相同电池或安讯士推荐的电池进行更换。
- 根据当地法规或电池制造商的说明处理废电池。

包装内容

- AXIS Q87 双谱 PTZ 网络摄像机
- 电源连接器
- I/O 连接器
- Torx® bit T20 和 T30
- RJ45 安装工具
- 印刷材料
 - 安装指南（本文档）
 - 额外序号标签（2 个）
 - AVHS 身份验证密钥

硬件概览

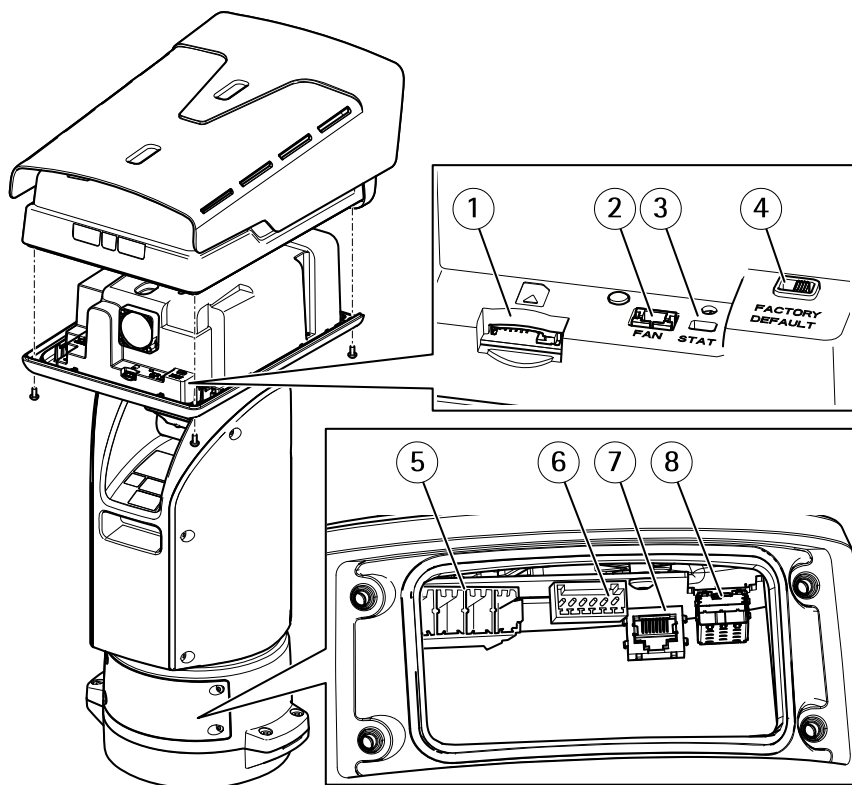
有关硬件组件的规格，请参见规格 在第179页。



- 1 耐候保护罩
- 2 顶罩
- 3 雨刮器
- 4 前部带有保护膜
- 5 内罩
- 6 热透镜
- 7 视觉镜头
- 8 定位装置

AXIS Q87 Bispectral PTZ Network Camera Series

- 9 盖
- 10 底座装置
- 11 底座装置螺丝



- 1 SD 卡槽 (microSDHC UHS-I/microSDXC UHS-I)
- 2 风扇连接器
- 3 状态 LED
- 4 出厂默认设置开关
- 5 输入电源连接器
- 6 I/O 连接器
- 7 RJ45 连接器
- 8 SFP 模块的 SFP 插槽 (不包括 SFP 模块)

如何安装产品

▲危险

电击风险。安装产品之前，所有电缆都应断电。

▲小心

电气连接和导线管安装应由经过认证的电工执行，并遵守当地法规。

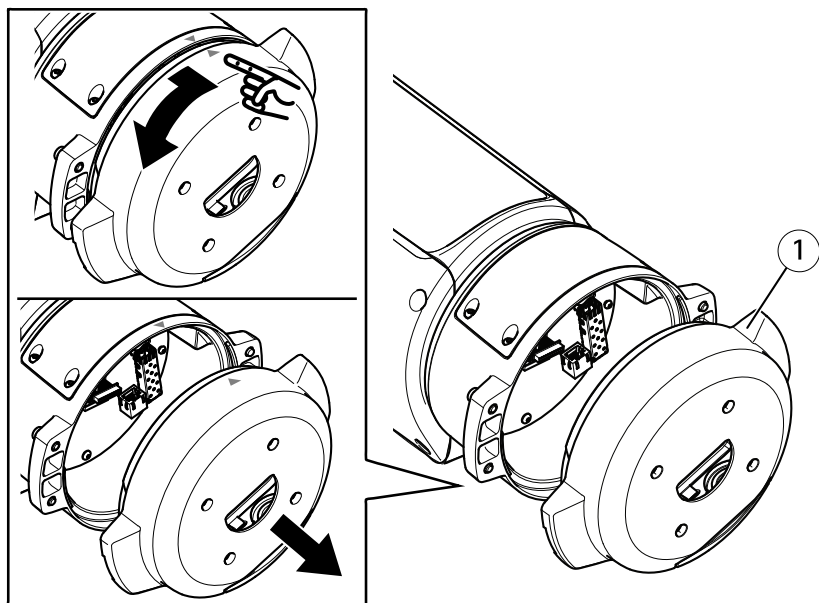
▲小心

▲伤害风险。活动部件。操作期间，请保持身体部位远离产品。安装或维护产品时，请断开电源。

▲小心

▲伤害风险。灼热的表面。请勿在操作期间触摸该产品。执行产品维护时，请断开电源并让表面冷却。

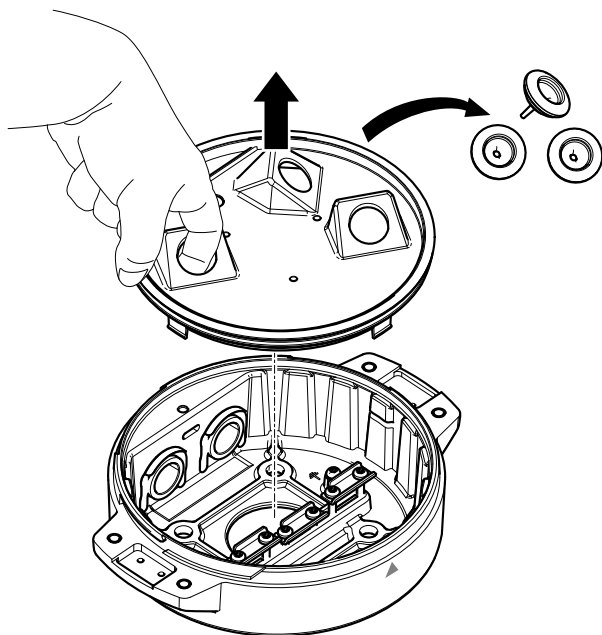
安装底座单元



1 底座单元

1. 移除四颗底座单元螺丝 (T30)。

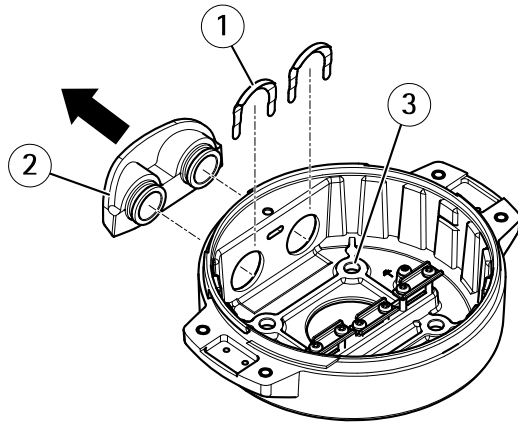
2. 同时逆时针拉转底座单元，直到底座单元和该单元其余部分的箭头对齐。
3. 移除底座单元。



注意

移除透明底座单元盖板时，请勿使用尖锐工具。

4. 移除透明底座单元盖板。



- 1 导线管盖夹
- 2 导线管盖
- 3 螺丝孔 (4 个)

- 5. 仅适用于导线管安装：取下两个导线管盖夹，然后取下导线管盖。
- 6. 在四个螺丝孔中使用适当的紧固件将底座单元固定到安装表面。

ZH

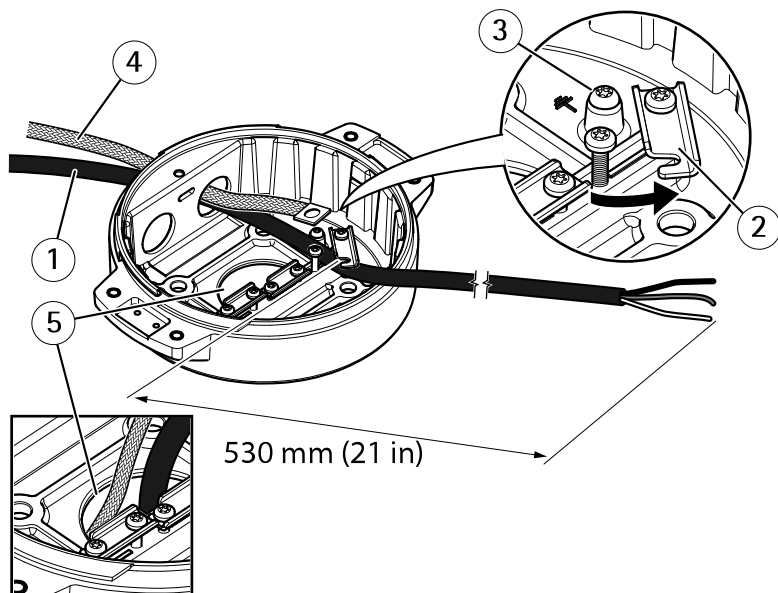
布线

警告

电击风险。本产品应同时使用电源线中的保护地线和接地编织层进行接地。确保保护地线和接地编织层的两端与其各自的接地表面接触。

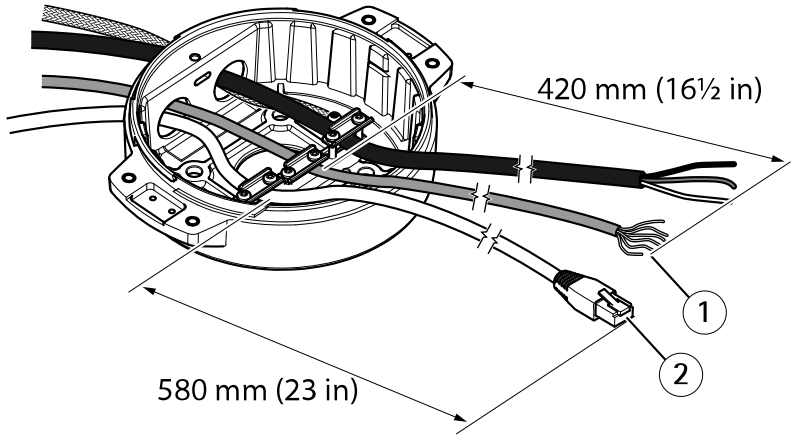
重要

仅使用符合指定电缆区域要求的电缆。有关详细信息，请参见 *电缆厚度* 在第181页。



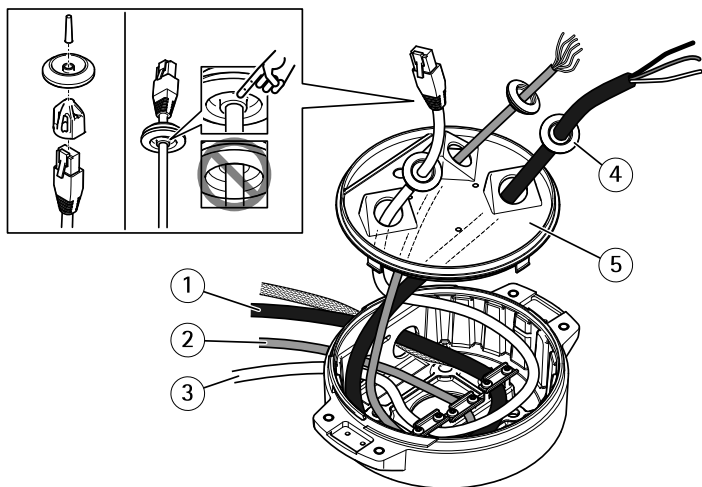
- 1 电源线 (不包括)
- 2 应力消除器
- 3 接地螺丝
- 4 接地编织层 (不包括)
- 5 底部电缆孔

1. 安装可选的导线管适配器 (不包括)。
2. 将接地编织层连接到接地螺丝。
3. 将电源线、I/O 电缆和网络电缆穿过底座单元上的孔 (如上图所示)。或者, 将其穿过底部电缆孔。
4. 将电源线穿过应力消除器, 并保持应力消除器与电缆末端距离为 530 毫米 (21 英寸)。



- 1 I/O 电缆 (可选, 不包括)
- 2 网络电缆 (不包括)

5. 将 I/O 电缆 (可选) 穿过应力消除件, 并使应力消除件至电缆端的距离为 420 毫米 (16½ 英寸)。
6. 将网络电缆 (光纤电缆和/或 RJ45 电缆) 穿过应力消除器, 并保持应力消除器与连接器末端的距离为 580 毫米 (23 英寸)。有关不同网络连接选项的详细信息, 请参见 [安装网络链路](#) 在第 173 页。
7. 合上并拧紧这三个应力消除器。



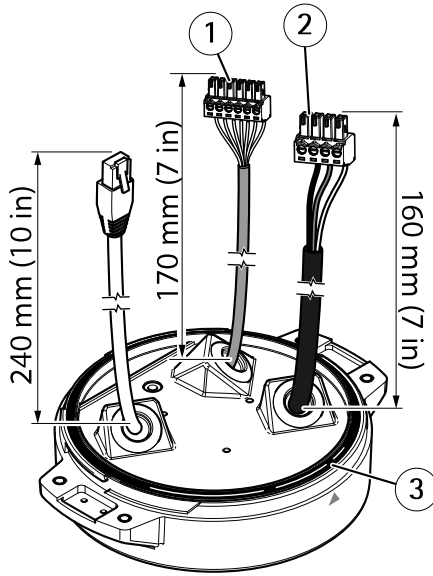
- 1 电源线 (不包括)
- 2 I/O 电缆 (可选, 不包括)
- 3 网络电缆 (不包括)
- 4 电缆垫片
- 5 透明底座单元盖板

8. 将电缆垫片安装到电缆上。请参见 [电缆厚度](#) 在第181页。
9. 将电源线、I/O 电缆和网络电缆 (包括电缆垫片) 穿过透明底座单元盖板上的孔, 然后按照上图所示进行布线。

注意

如果您同时使用光纤电缆和 RJ45 电缆进行网络连接, 请将光纤电缆与 I/O 电缆穿过同一电缆垫片。在电缆和电缆垫片之间涂抹密封剂以防电缆滑出。有关不同网络连接选项的详细信息, 请参见 [安装网络链路](#) 在第173页。

10. 更换底座单元上的透明底座单元盖板, 并将电缆垫片安装在孔内。



- 1 I/O 连接器
- 2 电源连接器
- 3 O 形环

注意

保护地线务必比其他两条线（在电源线中）长约 10 毫米（3/8 英寸），以免拉扯时意外断开。

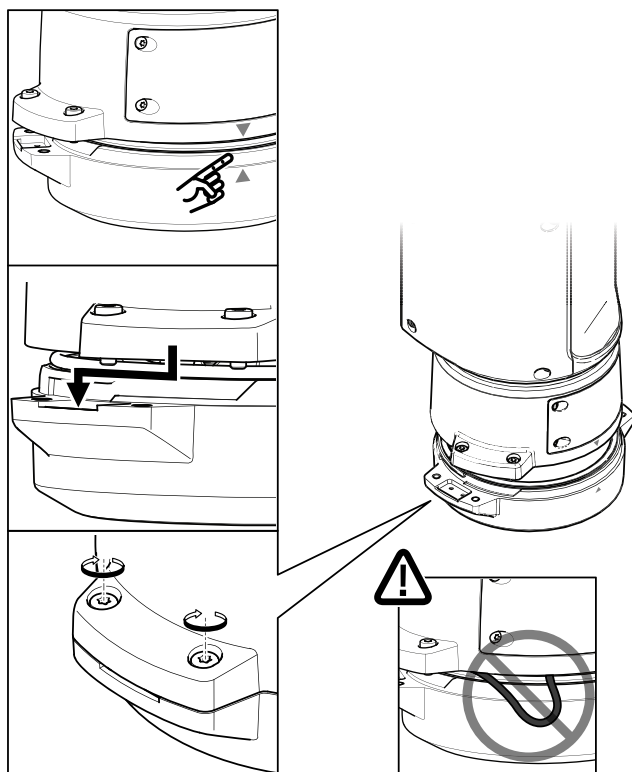
备注

我们建议您分别将电源电缆护套和 I/O 电缆护套剪下大约 90 毫米（3½ 英寸）和 70 毫米（2¾ 英寸），以便安装。

11. 安装电源连接器和 I/O 连接器，请参见 [接口](#) 在第 179 页。
12. 调整网络、I/O 和电源线，以使电缆垫片与连接器末端的距离分别为 240 毫米（10 英寸）、170 毫米（7 英寸）及 160 毫米（7 英寸）。

注意

确保 O 型环正确安装在透明底座单元盖板周围。

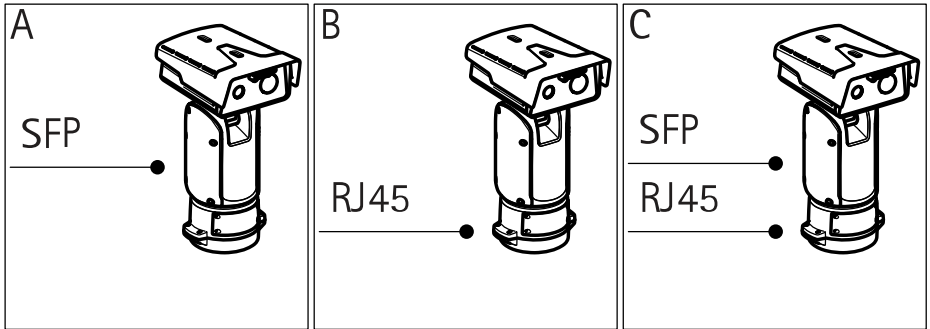


13. 调整底座单元上的定位单元，从而确保两个单元上的箭头对齐。
14. 按顺时针方向将定位装置转回至其初始位置并拧紧 4 个底座装置螺丝（扭矩 3.0 牛米）。

注意

在安装 2 个装置时，请确保电缆未被夹扁。

安装网络链路



您有不同的网络链路安装选项：

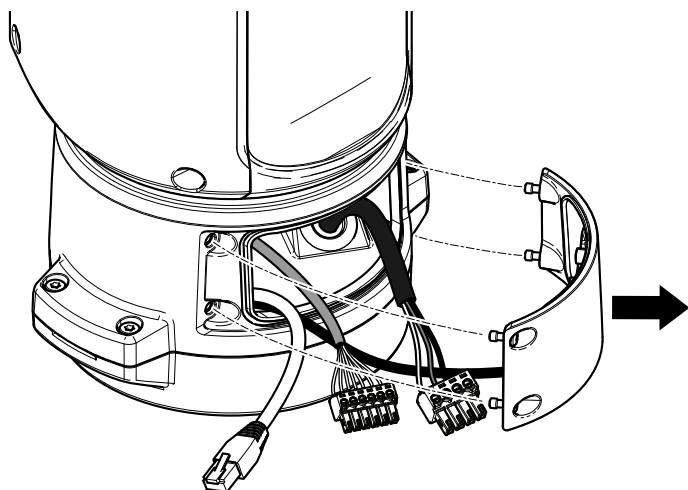
- A：通过光纤电缆或与 SFP 插槽中的 SFP 模块（带有相应的连接器）连接的 RJ45 电缆。
- B：通过与固定式 RJ45 连接器连接的 RJ45 电缆。
- C：同时连接上述两种电缆，在此情况下，通过 SFP 模块实现的连接用作主网络链路，而通过固定式 RJ45 连接器实现的连接用作故障转移链路。

有关网络连接器位置的详细信息，请参见 [接口](#) 在第 179 页。

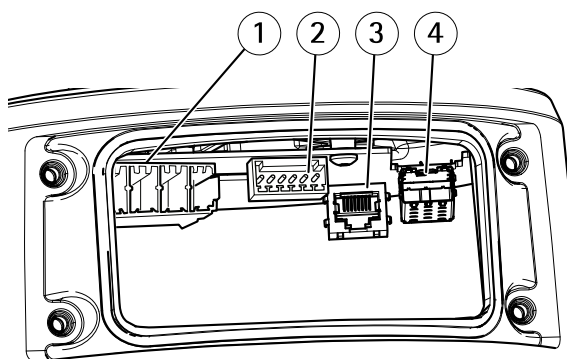
备注

- 不包括 SFP 模块。有关可用 SFP 模块的详细信息，请参见 www.axis.com
- 仅通过使用相应 SFP 模块的光纤电缆建立网络链路可用作远程布线安装的独立解决方案。

连接电缆



1. 松开四颗盖子螺丝 (T20)，然后取下盖子。

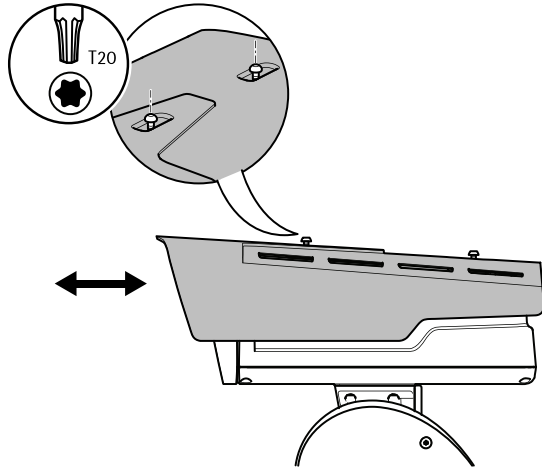


- 1 输入电源连接器
- 2 I/O 连接器
- 3 RJ45 连接器
- 4 SFP 模块的 SFP 插槽 (不包括 SFP 模块)

2. 连接网络 (光纤和/或 RJ45)、I/O 和电源线。有关不同网络连接选项的详细信息，请参见 [安装网络链路](#) 在第173页。

3. 更换盖子，然后拧紧四颗盖子螺丝（扭矩 3.0 Nm）。
4. 接通产品电源。

如何调节耐候保护罩



1. 拧松耐候保护罩的 2 个螺丝。
2. 将耐候保护罩设置在首选位置。
3. 拧紧耐候保护罩的 2 个螺丝（扭矩 0.8 牛米）。

如何访问产品

AXIS IP Utility 和 AXIS Camera Management 是用于在网络上查找安讯士产品以及在 Windows® 中为其分配 IP 地址的建议方法。这两种应用程序都是免费的，可以从 www.axis.com/support 上进行下载


该产品可与以下浏览器兼容：

- Chrome™（推荐）、Firefox®、Edge® 或 Opera®，用于 Windows®
- Chrome™（推荐）或 Safari®，用于 OS X®
- Chrome™ 或 Firefox®，用于其他操作系统。


有关使用产品的更多信息，请参阅 www.axis.com 上提供的用户手册

重置为出厂默认设置

小心

 伤害风险。活动部件。操作期间，请保持身体部位远离产品。安装或维护产品时，请断开电源。

小心

 伤害风险。灼热的表面。请勿在操作期间触摸该产品。在维修产品前，请先断开产品电源并让表面冷却。

注意

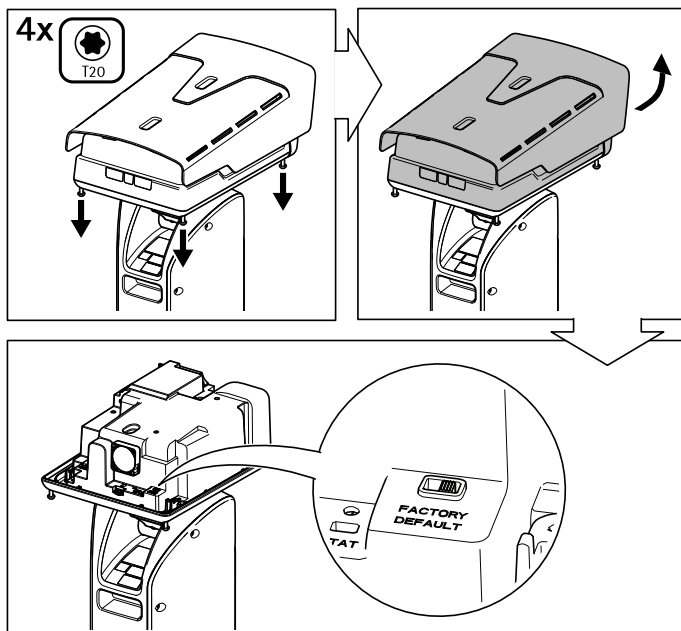
拆下顶罩以显露易受碰撞影响的视觉摄像机部件。在拆卸时，避免让顶罩撞击无保护摄像机。

重要

重置为出厂默认设置时应谨慎。重置为出厂默认设置将会把所有设置重置为出厂默认值，包括 IP 地址。

备注

安装和管理软件工具可从 www.axis.com/support/downloads 上的支持页面获取



1. 断开产品电源。

2. 旋松 4 个顶罩螺丝并拆下顶罩。
3. 更改出厂默认设置开关的位置。
4. 更换顶罩并拧紧螺丝（扭矩 2.0 牛米）。
5. 重新连接产品电源。

您还可以通过产品网页将参数重置为出厂默认设置。转到 **设置 > 系统 > 维护** 并点击 **默认设置**。

更多信息

- 有关本文档的最新版本，请参见 axis.com
- 用户手册可从 axis.com 获取
- 要检查是否有设备的可用更新固件，请参见 axis.com/support
- 如需有用的在线培训和在线研讨会，请参见 axis.com/academy

可选附件

欲查看本产品可用附件的完整列表，请转到 axis.com 上的产品页并选择“软件和附件”。

质保信息


有关安讯士产品质保的信息及相关信息，请转到 axis.com/warranty

规格


要查找最新版本的产品数据表，请转到 axis.com 上的产品页并查找 **支持和文档**。

SD 卡插槽

小心

 伤害风险。活动部件。操作期间，请保持身体部位远离产品。安装或维护产品时，请断开电源。

小心

 伤害风险。灼热的表面。请勿在操作期间触摸该产品。执行产品维护时，请断开电源并让表面冷却。

注意

- 损坏 SD 卡的风险。插入或取出 SD 卡时，请勿使用锋利的工具、金属物体或过大力气。使用手指插入和取出该卡。
- 数据丢失和录制内容损坏的风险。产品正在运行时，请勿取出 SD 卡。在移除之前，请从产品的网页卸载 SD 卡。

本产品支持 microSD/microSDHC/microSDXC 卡（不包括）。

有关 SD 卡的建议，请参见 axis.com

ZH

接口

网络连接器

RJ45 以太网连接器。

SFP 连接器。

注意

该产品应使用屏蔽网络电缆 (STP) 或光纤电缆进行连接。将产品连接到网络的所有电缆应专用于其特定用途。确保根据制造商的说明安装网络设备。有关法规要求的信息，请参见 *Electromagnetic compatibility (EMC) on page 4*。

I/O 连接器

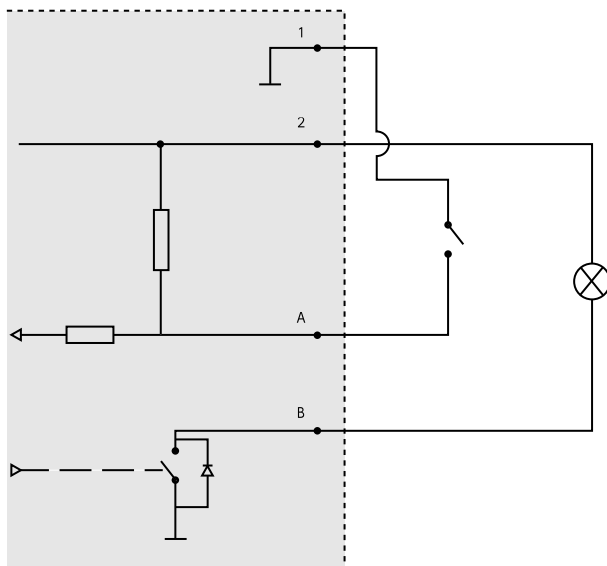
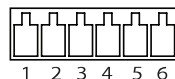
在外部设备结合了移动侦测、事件触发和报警通知等功能的情况下，使用 I/O 连接器。除 0 V DC 参考点和电源（DC 输出）外，I/O 连接器还提供连接至以下模块的接口：

数字输入 – 用于连接可在开路和闭路之间切换的设备，例如 PIR 传感器、门/窗触点和玻璃破碎侦测器。

AXIS Q87 Bispectral PTZ Network Camera Series

数字输出 – 用于连接继电器和 LED 等外部设备。已连接的设备可通过 VAPIX® 应用程序编程接口或在产品网页上进行激活。

6 针可配置接线端子



- 1 0 V DC (-)
- 2 DC 输出 12 V, 最大 50 mA
- A I/O 已配置为输入
- B I/O 已配置为输出

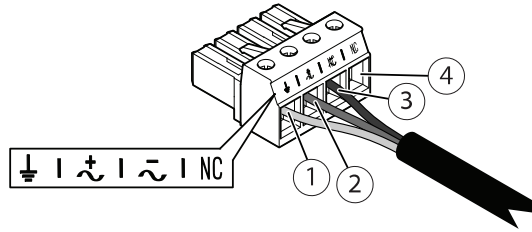
电源连接器

4 针接线端子，用于电源输入。

24 V AC/DC 电源连接器

注意

本部分仅适用于由 24 V AC 和 24 V DC 供电的产品。



位置	24 V AC	24 V DC
1	保护接地	保护接地
2	24 V AC 相	+ 24 V
3	24 V AC 零线	0 V
4	未连接	未连接

电缆

电缆厚度

使用本产品随附的电缆垫片时，电缆直径应在 5 至 11 毫米（0.2 至 0.4 英寸）的范围内。

注意

- 使用保持在指定电缆区域内的电缆
- 选择符合当地法规的电缆
- 确保所有电缆孔都已正确密封
- 使用与电缆孔和电缆区域相匹配的电缆垫圈或电缆套管

有关附件（如适合其他电缆区域的电缆垫圈和电缆套管）的信息，请参见 www.axis.com

工作条件

安讯士产品可供室内和室外使用。

AXIS Q87 Bispectral PTZ Network Camera Series

温度	湿度
工作温度：-50 ° C 至 55 ° C (-58 ° F 至 131 ° F) 冷启动 (启动时间 < 1 小时, 到全面启动) : -40 ° C (-40 ° F)	10-100% RH (非冷凝)

功耗

产品	标准功耗	最大功耗
AXIS Q8741-E 24 V AC/DC AXIS Q8742-E 24 V AC/DC	16 W	204 W

重要

使用 22 米 (72 英尺) 安讯士电缆 24 V DC/24-240 V AC 时, 需要能够供应 300 W 的电源来补偿电缆中的功率损耗。

注意

标准功耗值基于以下因素:

- 忽略电源线中任何损耗
- 没有运行的水平转动/垂直转动/变焦/对焦/雨刷电机
- 温度为 25 ° C (关闭所有加热器)
- 具有最大分辨率的一个 H.264 流
- 录制到 SD 卡的 MJPEG 流

