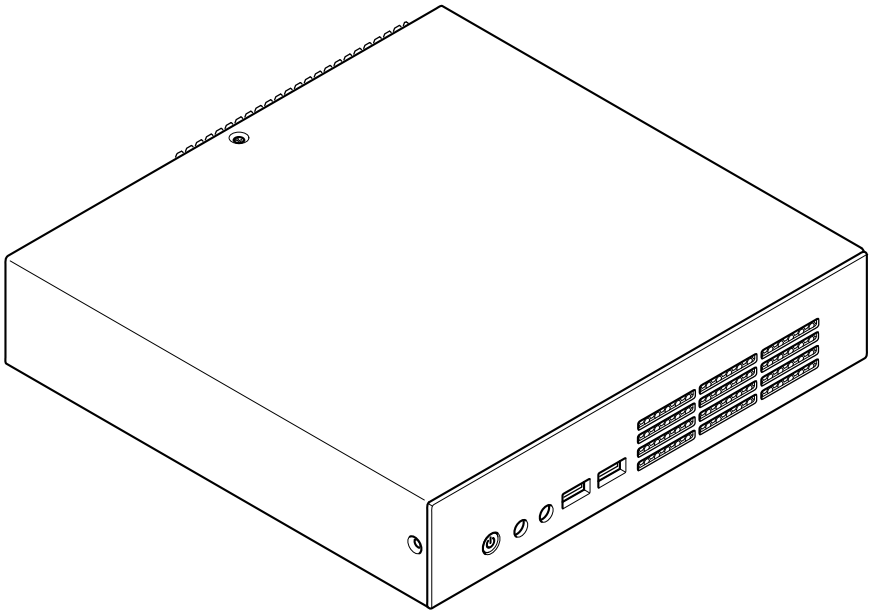


## AXIS Camera Station S9101 Mk II Desktop Terminal



## Installation Guide

## Read this first

Read through this Installation Guide carefully before installing the product. Keep the Installation Guide for future reference.

## Legal considerations

This product is subject to US EAR export control regulations. You should always consult and comply with the regulations of the appropriate export control authorities.

## Liability

Every care has been taken in the preparation of this document. Please inform your local Axis office of any inaccuracies or omissions. Axis Communications AB cannot be held responsible for any technical or typographical errors and reserves the right to make changes to the product and manuals without prior notice. Axis Communications AB makes no warranty of any kind with regard to the material contained within this document, including, but not limited to, the implied warranties of merchantability and fitness for a particular purpose. Axis Communications AB shall not be liable nor responsible for incidental or consequential damages in connection with the furnishing, performance or use of this material. This product is only to be used for its intended purpose.

## Intellectual property rights

Axis AB has intellectual property rights relating to technology embodied in the product described in this document. In particular, and without limitation, these intellectual property rights may include one or more of the patents listed at [axis.com/patent](http://axis.com/patent) and one or more additional patents or pending patent applications in the US and other countries.

## Equipment modifications

This equipment must be installed and used in strict accordance with the instructions given in the user documentation. This equipment contains no user-serviceable components. Unauthorized equipment changes or modifications will invalidate all applicable regulatory certifications and approvals.

## Trademark acknowledgements

AXIS COMMUNICATIONS, AXIS, ARTPEC and VAPIX are registered trademarks of Axis AB in various jurisdictions. All other trademarks are the property of their respective owners.

## Regulatory information

### Europe



This product complies with the applicable CE marking directives and harmonized standards:

- Electromagnetic Compatibility (EMC) Directive 2014/30/EU. See *Electromagnetic compatibility (EMC) on page 2*.
- Low Voltage Directive (LVD) 2014/35/EU. See *Safety on page 3*.
- Restriction of Hazardous Substances (RoHS) Directive 2011/65/EU and 2015/863, including any amendments, updates or replacements. See *Disposal and recycling on page 3*.

A copy of the original declaration of conformity may be obtained from Axis Communications AB. See *Contact information on page 3*.

## Electromagnetic compatibility (EMC)

This equipment has been designed and tested to fulfill applicable standards for:

- Radio frequency emission when installed according to the instructions and used in its intended environment.
- Immunity to electrical and electromagnetic phenomena when installed according to the instructions and used in its intended environment.

### USA

This device complies with part 15 of the FCC Rules. Operation is subject to the following two conditions:

1. This device may not cause harmful interference, and
2. this device must accept any interference received, including interference that may cause undesired operation.

This equipment has been tested and found to comply with the limits for a Class B digital device, pursuant to part 15 of the FCC Rules. These limits are designed to provide reasonable protection against harmful interference in a residential installation. This equipment generates, uses and can radiate radio frequency energy and, if not installed and used in accordance with the instructions, may cause harmful interference to radio communications. However, there is no guarantee that interference will not occur in a particular installation. If this equipment does cause harmful interference to radio or television reception, which can be determined by turning the equipment off and on, the user is encouraged to try to correct the interference by one or more of the following measures:

- Reorient or relocate the receiving antenna.
- Increase the separation between the equipment and receiver.
- Connect the equipment into an outlet on a circuit different from that to which the receiver is connected.
- Consult the dealer or an experienced radio/TV technician for help.

### Contact information

Axis Communications Inc.  
300 Apollo Drive  
Chelmsford, MA 01824  
United States of America  
Tel: +1 978 614 2000

### Canada

This digital apparatus complies with CAN ICES-3 (Class B). Cet appareil numérique est conforme à la norme CAN NMB-3 (classe B).

### Europe

This digital equipment fulfills the requirements for RF emission according to the Class B limit of EN 55032.

### Australia/New Zealand

This digital equipment fulfills the requirements for RF emission according to the Class B limit of AS/NZS CISPR 32.

### Japan

この装置は、クラスB機器です。この装置は、住宅環境で使用することを目的としています。この装置がラジオやテレビジョン受信機に近接して使用されると、受信障害を引き起こすことがあります。取扱説明書に従って正しい取り扱いをして下さい。VCCI-B

## Safety

This product complies with IEC/EN/UL 62368-1, safety of audio/video and IT equipment.

The power supply used with this product shall fulfill one of the following requirements:

- Safety Extra Low Voltage (SELV) according to clause 2.2 of IEC/EN/UL 60950-1 and Limited Power Source (LPS) according to clause 2.5 of IEC/EN/UL 60950-1 or CEC/NEC Class 2 source of supply as defined in the Canadian Electrical Code, CSA C22.1 and National Electrical Code, ANSI/NFPA 70
- Class 1 electrical energy source (ES1) and Class 2 power source (PS2) rated output power limited to  $\leq 100$  W according to IEC/EN/UL 62368-1

## Disposal and recycling

When this product has reached the end of its useful life, dispose of it according to local laws and regulations. For information about your nearest designated collection point, contact your local authority responsible for waste disposal. In accordance with local legislation, penalties may be applicable for incorrect disposal of this waste.

### Europe



■ This symbol means that the product shall not be disposed of together with household or commercial waste. Directive 2012/19/EU on waste electrical and electronic equipment (WEEE) is applicable in the European Union member states. To prevent potential harm to human health and the environment, the product must be disposed of in an approved and environmentally safe recycling process. For information about your nearest designated collection point, contact your local authority responsible for waste disposal. Businesses should contact the product supplier for information about how to dispose of this product correctly.

This product complies with the requirements of Directive 2011/65/EU and 2015/863 on the restriction of the use of certain hazardous substances in electrical and electronic equipment (RoHS).

## Contact information

Axis Communications AB  
Emdalavägen 14  
223 69 Lund  
Sweden

Tel: +46 46 272 18 00

Fax: +46 46 13 61 30

[axis.com](http://axis.com)

## Warranty information

For information about Axis' product warranty and thereto related information, go to [axis.com/warranty](http://axis.com/warranty).

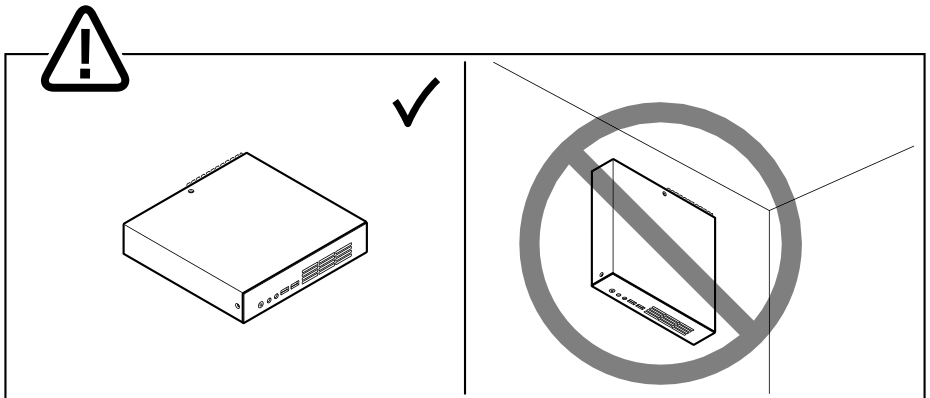
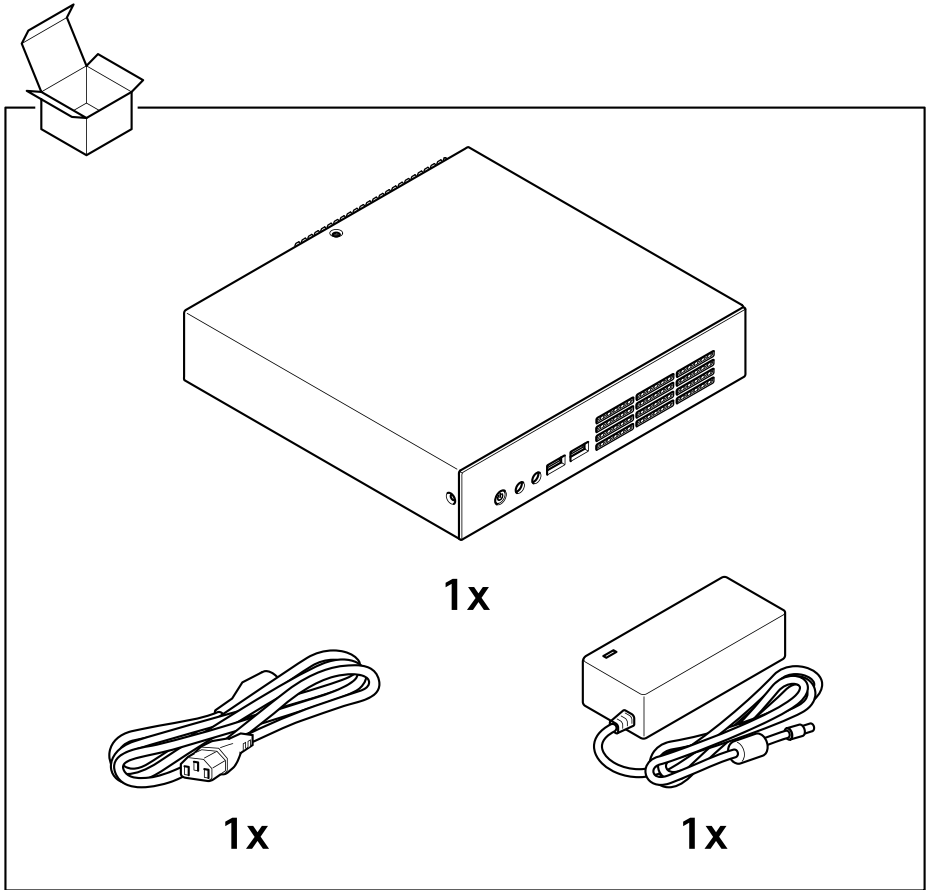
## Support

### Learn more!

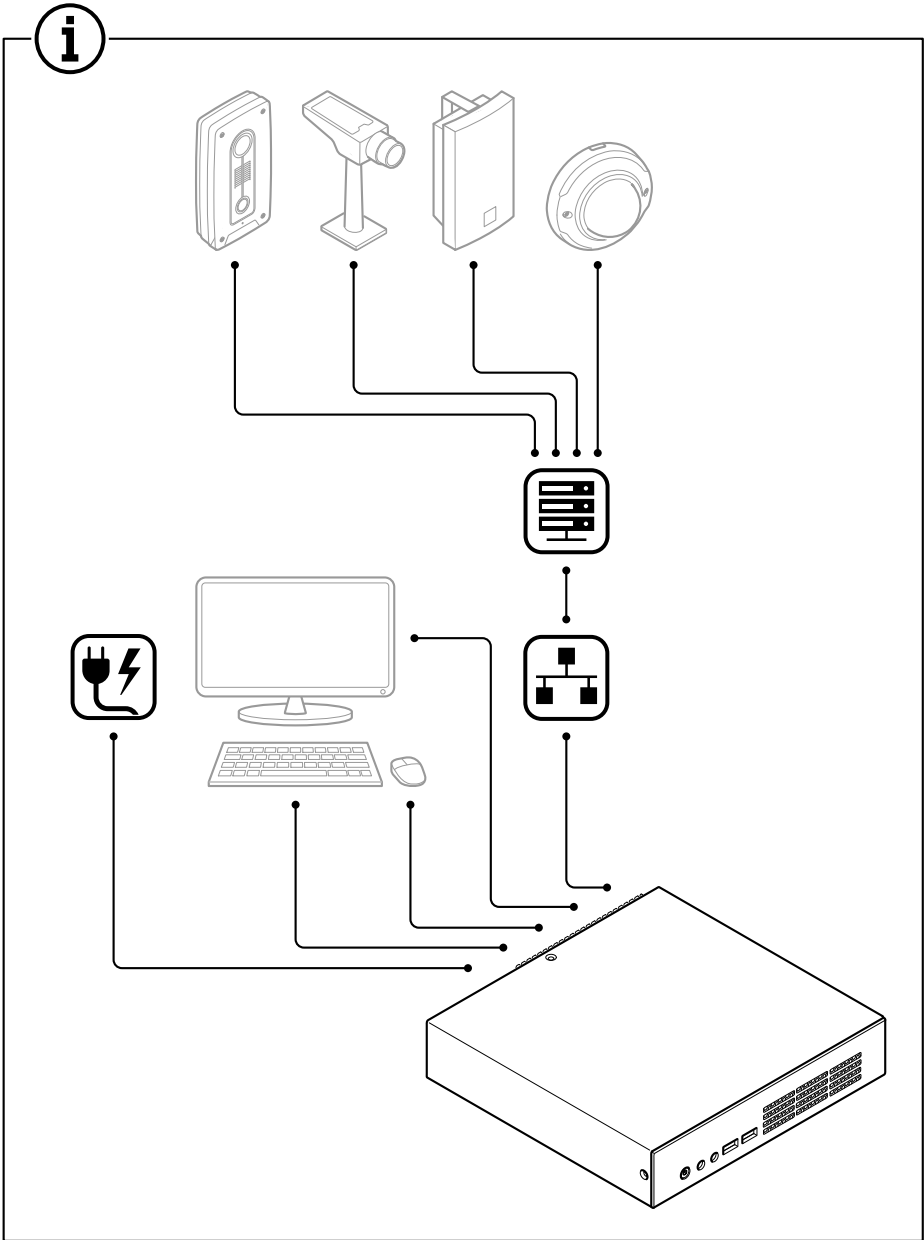
Visit Axis learning center [axis.com/academy](http://axis.com/academy) for useful trainings, webinars, tutorials and guides.



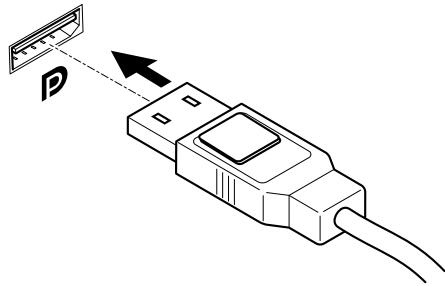
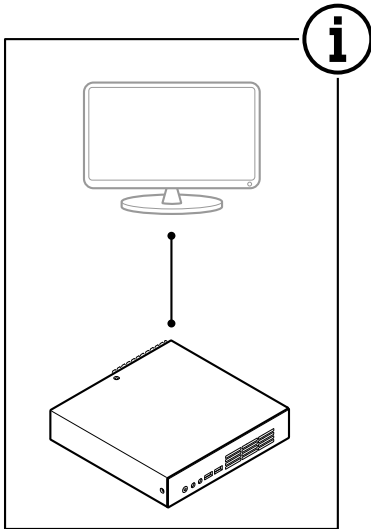
# AXIS Camera Station S9101 Mk II Desktop Terminal



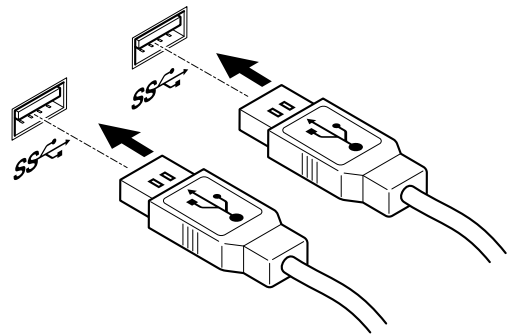
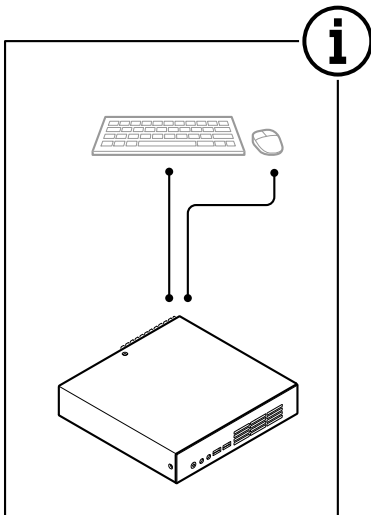
# AXIS Camera Station S9101 Mk II Desktop Terminal



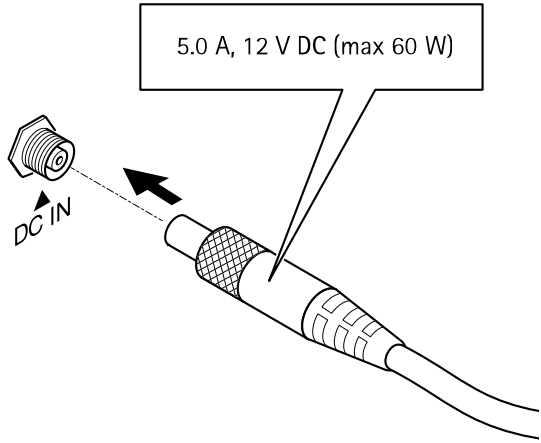
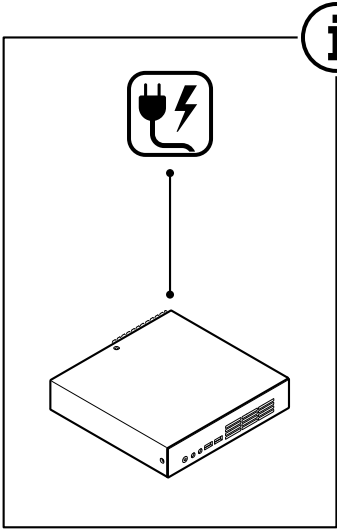
## 1.1



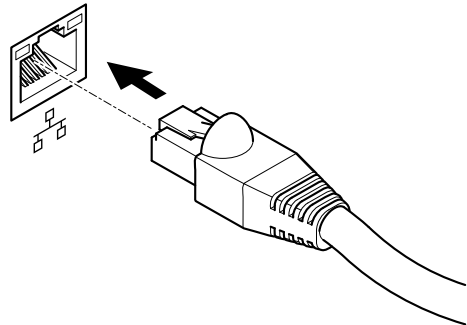
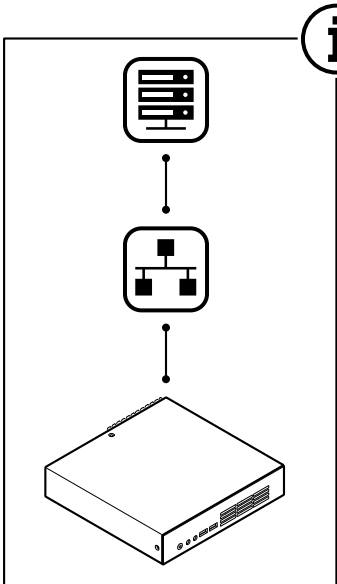
## 1.2



# 1.3

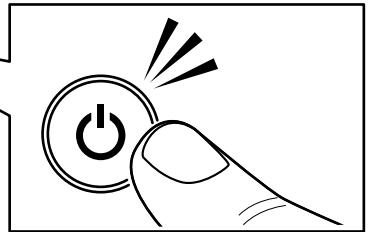
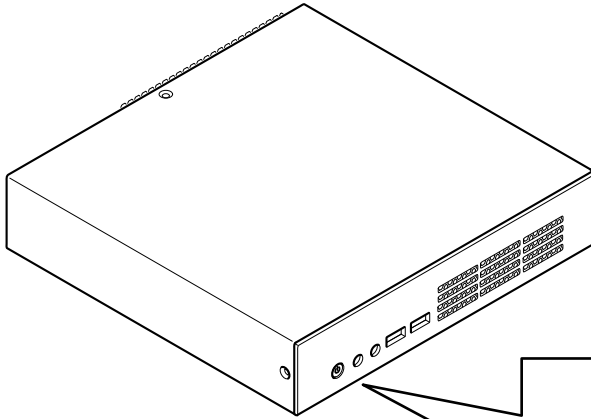


# 1.4

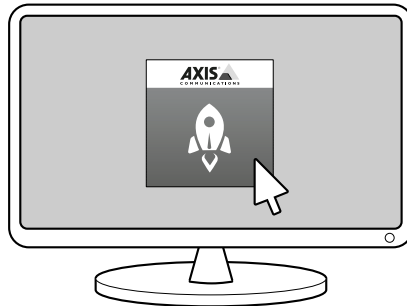




## 1.5



## 1.6



# English

## Safety information

### Hazard levels

#### **▲DANGER**

Indicates a hazardous situation which, if not avoided, will result in death or serious injury.

#### **▲WARNING**

Indicates a hazardous situation which, if not avoided, could result in death or serious injury.

#### **▲CAUTION**

Indicates a hazardous situation which, if not avoided, could result in minor or moderate injury.

#### **NOTICE**

Indicates a situation which, if not avoided, could result in damage to property.

### Other message levels

#### Important

Indicates significant information which is essential for the product to function correctly.

#### Note

Indicates useful information which helps in getting the most out of the product.

## Safety instructions

#### **NOTICE**

- The Axis product shall be used in compliance with local laws and regulations.
- Store the Axis product in a dry and ventilated environment.
- Use only applicable tools when installing the Axis product. Using excessive force with power tools could cause damage to the product.
- Do not use chemicals, caustic agents, or aerosol cleaners.
- Use a clean cloth dampened with pure water for cleaning.
- Use only accessories that comply with the technical specification of your product. These can be provided by Axis or a third party. Axis recommends using Axis power source equipment compatible with your product.
- Use only spare parts provided by or recommended by Axis.
- Do not attempt to repair the product yourself. Contact Axis support or your Axis reseller for service matters.
- This equipment is not suitable for use in locations where children are likely to be present.
- Suitable for installation in Information Technology Rooms in accordance with Article 645 of the National Electrical Code and NFPA 75.
- Ensure to connect the power cord to a socket-outlet with earthing connection.
- Never open the equipment. For safety reasons, the equipment should be opened only by qualified Skilled person.

### Transportation

#### **NOTICE**

- When transporting the Axis product, use the original packaging or equivalent to prevent damage to the product.

### Battery

#### **▲CAUTION**

Do not replace the battery yourself. Contact Axis support if the log message requests a battery change. Lithium coin cell 3.0 V batteries contain 1,2-dimethoxyethane; ethylene glycol dimethyl ether (EGDME), CAS no. 110-71-4.

# Français

## Informations sur la sécurité

### Niveaux de risques

#### **▲DANGER**

Indique une situation dangereuse qui, si elle n'est pas évitée, entraînera le décès ou des blessures graves.

#### **▲AVERTISSEMENT**

Indique une situation dangereuse qui, si elle n'est pas évitée, pourrait entraîner le décès ou des blessures graves.

#### **▲ATTENTION**

Indique une situation dangereuse qui, si elle n'est pas évitée, pourrait entraîner des blessures légères ou modérées.

#### **AVIS**

Indique une situation qui, si elle n'est pas évitée, pourrait endommager l'appareil.

### Autres niveaux de message

#### Important

Indique les informations importantes, nécessaires pour assurer le bon fonctionnement de l'appareil.

#### Note

Indique les informations utiles qui permettront d'obtenir le fonctionnement optimal de l'appareil.

## Consignes de sécurité

#### **AVIS**

- Le produit Axis doit être utilisé conformément aux lois et règlements locaux.
- Conserver ce produit Axis dans un environnement sec et ventilé.
- Utiliser uniquement des outils recommandés pour l'installation de l'appareil Axis. L'application d'une force excessive sur l'appareil avec des outils puissants pourrait l'endommager.
- Ne pas utiliser de produits chimiques, de substances caustiques ou de nettoyeurs pressurisés.
- Utiliser un chiffon propre imbibé d'eau pure pour le nettoyage.
- Utiliser uniquement des accessoires conformes aux caractéristiques techniques de votre produit. Ils peuvent être fournis par Axis ou un tiers. Axis recommande d'utiliser un équipement d'alimentation Axis compatible avec votre produit.

- Utiliser uniquement les pièces de rechange fournies ou recommandées par Axis.
- Ne pas essayer de réparer vous-même ce produit. Contacter l'assistance technique d'Axis ou votre revendeur Axis pour des problèmes liés à l'entretien.
- Cet appareil ne convient pas à une utilisation dans des endroits où des enfants peuvent être présents.
- Convient à une installation dans les salles informatiques conformément à l'Article 645 du Code national de l'électricité (« National Electrical Code »), NFPA 75.
- Veuillez à brancher le cordon d'alimentation à une prise de courant avec mise à la terre.
- Ne jamais ouvrir l'équipement. Pour des raisons de sécurité, seul un personnel qualifié est autorisé à ouvrir l'équipement.

### Transport

#### **AVIS**

- Lors du transport du produit Axis, utilisez l'emballage d'origine ou un équivalent pour éviter d'endommager le produit.

### Batterie

#### **ATTENTION**

Ne remplacez pas la batterie vous-même. Contactez le support Axis si le message du journal demande un changement de batterie.

Les piles boutons 3,0 V au lithium contiennent du 1,2-diméthoxyéthane, éthylène glycol diméthyl éther (EGDME), CAS n° 110-71-4.

## Deutsch

### Sicherheitsinformationen

#### Gefährdungsstufen

##### **GEFAHR**

Weist auf eine gefährliche Situation hin, welche, falls nicht verhindert, zu Tod oder schweren Verletzungen führen kann.

##### **WARNUNG**

Weist auf eine gefährliche Situation hin, welche, falls nicht verhindert, zu Tod oder schweren Verletzungen führen kann.

##### **VORSICHT**

Weist auf eine gefährliche Situation hin, welche, falls nicht verhindert, zu geringfügiger oder mäßiger Verletzung führen kann.

##### **HINWEIS**

Weist auf eine gefährliche Situation hin, welche, falls nicht verhindert, zu Sachschäden führen kann.

### Andere Meldeebenen

#### Wichtig

Weist auf wichtige Informationen hin, die den richtigen Betrieb des Produkts gewährleisten.

#### Beachten

Weist auf nützliche Informationen hin, die die optimale Verwendung des Produkts unterstützen.

### Sicherheitsanweisungen

#### **HINWEIS**

- Das Axis Produkt muss unter Beachtung der geltenden Gesetze und Bestimmungen betrieben werden.
- Lagern Sie das Axis Produkt in einer trockenen und belüfteten Umgebung.
- Verwenden Sie bei der Installation des Axis Produkts ausschließlich passende Werkzeuge. Ein zu großer Kraftaufwand mit elektrischen Werkzeugen kann das Produkt beschädigen.
- Verwenden Sie keine chemischen, ätzenden oder aerosolhaltigen Reinigungsmittel.
- Verwenden Sie zum Reinigen ein sauberes, mit destilliertem Wasser angefeuchtetes Tuch.
- Verwenden Sie nur Zubehör, das den technischen Vorgaben Ihres Produkts entspricht. Dieses ist von Axis oder Drittanbietern erhältlich. Axis empfiehlt die mit Ihrem Produkt kompatible Stromversorgung von Axis.
- Verwenden Sie ausschließlich Ersatzteile die von Axis angeboten oder empfohlen werden.
- Versuchen Sie nicht, dieses Produkt selbstständig zu reparieren. Wenden Sie sich bezüglich Reparatur und Wartung an den Axis Support oder Ihren Axis Händler.
- Dieses Gerät ist nicht für die Verwendung an Orten geeignet, an denen sich möglicherweise Kinder aufhalten.
- Geeignet für die Installation in IT-Räumen gemäß Artikel 645 der nationalen Elektrizitätsrichtlinie und NFPA 75.
- Sicherstellen, dass das andere Ende des Stromkabels an eine geerdete Steckdose angeschlossen wird.
- Niemals das Gehäuse öffnen. Aus Sicherheitsgründen darf die Ausrüstung nur von Personen mit entsprechender Sach- und Fachkunde geöffnet werden.

### Transport

#### **HINWEIS**

- Bei Bedarf transportieren Sie das Axis Produkt in der Originalverpackung oder einer entsprechenden Verpackung, so dass Schäden vermieden werden.

### Batterie

#### **VORSICHT**

Tauschen Sie die Batterie nicht selbst aus. Wenden Sie sich an den Axis Support, wenn die Protokollnachricht einen Batterietausch anfordert.

Lithium-Knopfzellen (3,0 V) enthalten 1,2-Dimethoxyethan; Ethylenglycoldimethylether (EGDME), CAS-Nr. 110-71-4.

## Italiano

### Informazioni di sicurezza

#### Livelli di pericolo

##### **PERICOLO**

Indica una situazione pericolosa che, se non evitata, provoca morte o lesioni gravi.

### **⚠AVVERTENZA**

Indica una situazione pericolosa che, se non evitata, potrebbe provocare la morte o lesioni gravi.

### **⚠ATTENZIONE**

Indica una situazione pericolosa che, se non evitata, potrebbe provocare lesioni medie o minori.

### **AVISO**

Indica una situazione che, se non evitata, potrebbe danneggiare la proprietà.

### **Altri livelli di messaggio**

#### **Importante**

Indica informazioni importanti, essenziali per il corretto funzionamento del dispositivo.

#### **Nota**

Indica informazioni utili che aiutano a ottenere il massimo dal dispositivo.

### **Informazioni di sicurezza**

#### **AVISO**

- Il dispositivo Axis deve essere utilizzato in conformità alle leggi e alle normative locali.
- Conservare il dispositivo Axis in un ambiente asciutto e ventilato.
- Utilizzare solo strumenti applicabili quando si installa il dispositivo Axis. Se si utilizza una forza eccessiva con strumenti non adatti è possibile causare danni al dispositivo.
- Non utilizzare sostanze chimiche, agenti caustici o detergenti aerosol.
- Utilizzare un panno pulito inumidito in acqua pura per la pulizia.
- Utilizzare solo accessori compatibili con le specifiche tecniche del dispositivo. Questi possono essere forniti da Axis o da terze parti. Axis consiglia l'uso dell'apparecchiatura di alimentazione Axis compatibile con il dispositivo.
- Utilizzare solo parti di ricambio fornite o consigliate da Axis.
- Non tentare di riparare il dispositivo da soli. Contattare l'assistenza o il rivenditore Axis per questioni relative alla manutenzione.
- Questo dispositivo non è adatto per l'uso in luoghi in cui potrebbero essere presenti bambini.
- Adatto per installazioni in locali informatici in conformità all'articolo 645 del National Electrical Code e del codice NFPA 75.
- Verificare di aver collegato il cavo di alimentazione alla presa di corrente con collegamento di messa a terra.
- Non aprire mai il dispositivo. Per motivi di sicurezza, il dispositivo deve essere aperto solo da persona esperta qualificata.

#### **Trasporto**

#### **AVISO**

- Durante il trasporto del dispositivo Axis, utilizzare l'imballaggio originale o equivalente per evitare danni al dispositivo.

### **Batteria**

#### **⚠ATTENZIONE**

Non sostituire la batteria da soli. Contattare l'assistenza di Axis se il messaggio di registro richiede una sostituzione della batteria.

Le batterie a bottone al litio da 3 V contengono 1,2-dimetossietano; etere dimetilico di glicole etilenico (EGDME), CAS n. 110-71-4.

## Español

### **Información de seguridad**

#### **Niveles de peligro**

#### **⚠PELIGRO**

Indica una situación peligrosa que, si no se evita, provocará lesiones graves o la muerte.

#### **⚠ADVERTENCIA**

Indica una situación peligrosa que, si no se evita, puede provocar lesiones graves o la muerte.

#### **⚠ATENCIÓN**

Indica una situación peligrosa que, si no se evita, puede provocar lesiones moderadas o leves.

#### **AVISO**

Indica una situación peligrosa que, si no se evita, puede provocar daños materiales.

### **Otros niveles de mensaje**

#### **Importante**

Indica información importante que es fundamental para que el producto funcione correctamente.

#### **Nota**

Indica información útil que ayuda a aprovechar el producto al máximo.

### **Instrucciones de seguridad**

#### **AVISO**

- Este producto de Axis debe utilizarse de acuerdo con las leyes y normativas locales.
- Almacene el producto de Axis en un entorno seco y ventilado.
- Utilice solo las herramientas correspondientes cuando instale el producto de Axis. La aplicación de una fuerza excesiva con herramientas eléctricas puede provocar daños en el producto.
- No utilice limpiadores en aerosol, agentes cáusticos ni productos químicos.
- Limpie con un paño limpio humedecido con agua pura.
- Utilice solo accesorios que cumplan con las especificaciones técnicas de su producto. Estos accesorios los puede proporcionar Axis o un tercero. Axis recomienda utilizar un equipo de suministro de alimentación de Axis compatible con su producto.
- Utilice solo piezas de repuesto proporcionadas o recomendadas por Axis.
- No intente reparar el producto usted mismo. Póngase en contacto con el servicio de asistencia

técnica de Axis o con su distribuidor de Axis para tratar asuntos de reparación.

- Este equipo no es adecuado para su uso en lugares donde es probable que haya presencia de niños.
- Adecuado para la instalación en salas de tecnología de la información, de conformidad con el artículo 645 del Código Eléctrico Nacional y la NFPA 75.
- Asegúrese de conectar el cable de alimentación a una toma de corriente con conexión a tierra.
- Nunca abra el equipo. Por motivos de seguridad, solo el personal formado y cualificado debe abrir el equipo.

## Transporte

### AVISO

- Cuando transporte el producto de Axis, utilice el embalaje original o un equivalente para evitar daños en el producto.

## Batería

### ⚠ATENCIÓN

No sustituya la batería usted mismo. Póngase en contacto con el servicio de asistencia técnica de Axis si el mensaje de registro solicita un cambio de batería.

Las pilas de botón de litio de 3,0 V contienen 1,2-dimetoxietano; éter dimetilico de etilenglicol (EGDME), n.º CAS 110-71-4.

## 日本語

## 安全情報

### 危険レベル

#### ⚠危険

回避しない場合、死亡または重傷につながる危険な状態を示します。

#### ⚠警告

回避しない場合、死亡または重傷につながるおそれのある危険な状態を示します。

#### ⚠注意

回避しない場合、軽傷または中程度の怪我につながるおそれのある危険な状態を示します。

#### 注記

回避しない場合、器物の破損につながるおそれのある状態を示します。

## その他のメッセージレベル

### 重要

製品を正しく機能させるために不可欠な重要情報を示します。

### 注意

製品を最大限に活用するために役立つ有用な情報を示します。

## 安全手順

### 注記

- 本Axis製品は、お使いになる地域の法律や規制に準拠して使用してください。

- 本製品は乾燥した換気のよい環境に保管してください。
- 本製品を設置するには、適切な工具のみを使用してください。電動工具を使用して過剰な力をかけると、製品が損傷することがあります。
- 化学薬品、腐食剤、噴霧式クリーナーは使用しないでください。
- 清掃には、きれいな水に浸した清潔な布を使用してください。
- 製品の技術仕様に基づいたアクセサリのみを使用してください。これらのアクセサリは、Axisまたはサードパーティから入手できます。Axisは、ご使用の製品と互換性のあるAxis給電ネットワークスイッチの使用を推奨します。
- Axisが提供または推奨する交換部品のみを使用してください。
- 製品を自分で修理しないでください。修理については、Axisサポートまたは販売代理店にお問い合わせください。
- 本製品は、お子様がいる可能性がある場所での使用に適していません。
- 米国電気工事規定およびNFPA 75のArticle 645に準拠した情報技術ルームでの設置に適しています。
- 電源ケーブルをアース接続のあるコンセントに接続していることを確認してください。
- 本装置を絶対に開けないでください。安全上の理由から、本装置はスキルを備えた有資格者だけが開けるようにしてください。

## 輸送

### 注記

- 本製品を運搬する際は、製品が損傷しないよう、元の梱包が同等の梱包を使用してください。

## バッテリー

### ⚠注意

自分でバッテリーを交換しないでください。ログメッセージがバッテリーの交換を要求している場合は、Axisサポートに連絡してください。

リチウムコイン型3.0V電池は、1,2-ジメトキシエタン (エチレングリコールジメチルエーテル (EGDME)、CAS番号110-71-4) を含有しています。

## Português

## Informações sobre segurança

### Níveis de perigo

#### ⚠PERIGO

Indica uma situação perigosa que, se não evitada, irá resultar em morte ou lesões graves.

#### ⚠ATENÇÃO

Indica uma situação perigosa que, se não evitada, poderá resultar em morte ou lesões graves.

#### ⚠CUIDADO

Indica uma situação perigosa que, se não evitada, poderá resultar em lesões leves ou moderadas.

### **AVISO**

Indica uma situação perigosa que, se não evitada, poderá resultar em danos à propriedade.

### **Outros níveis de mensagens**

#### **Importante**

Indica informações significativas que são essenciais para o produto funcionar corretamente.

#### **Nota**

Indica informações úteis que ajudam a obter o máximo do produto.

### **Instruções de segurança**

#### **AVISO**

- O produto Axis deve ser usado em conformidade com as leis e regulamentações locais.
- Armazene o produto Axis em um ambiente seco e ventilado.
- Use apenas as ferramentas recomendadas ao instalar o produto Axis. O uso de força excessiva com ferramentas elétricas poderia danificar o produto.
- Não use produtos químicos, agentes cáusticos ou limpadores aerossóis.
- Use um pano limpo úmido para limpar o produto.
- Utilize apenas acessórios que atendam às especificações técnicas do produto. Esses poderão ser fornecidos pela Axis ou por terceiros. A Axis recomenda usar equipamento de fonte de alimentação Axis compatível com seu produto.
- Utilize apenas peças sobressalentes fornecidas ou recomendadas pela Axis.
- Não tente reparar o produto por conta própria. Entre em contato com o suporte ou seu revendedor Axis para quaisquer questões relacionadas a serviços.
- Este equipamento não é adequado para uso em locais com possível presença de crianças.
- Ele é indicado para instalação em salas de tecnologia da informação de acordo com o Artigo 645 do Código Elétrico Nacional (EUA) e NFPA 75.
- Certifique-se de conectar o cabo de alimentação a uma tomada com conexão de aterramento.
- Nunca abra o equipamento. Por questões de segurança, o equipamento deve ser aberto somente por pessoas qualificadas especializadas.

### **Transporte**

#### **AVISO**

- Ao transportar o produto Axis, use a embalagem original ou equivalente para evitar danos ao produto.

### **Bateria**

#### **▲CUIDADO**

Não substitua a bateria por conta própria. Entre em contato com o suporte da Axis se a mensagem do log solicitar uma substituição de bateria.

As baterias tipo célula de íons de lítio de 3,0 V contém 1,2-dimetoxietano; etileno glicol éter dimetilico (EGDME), nº CAS 110-71-4.

## РУССКИЙ

### **Сведения по безопасности**

#### **Уровни опасности**

##### **▲ОПАСНО**

Опасная ситуация, которая, если ее не устранить, приведет к смерти или опасным травмам.

##### **▲ОСТОРОЖНО**

Опасная ситуация, которая, если ее не устранить, может привести к смерти или опасным травмам.

##### **▲ВНИМАНИЕ**

Опасная ситуация, которая, если ее не устранить, может привести к травмам незначительной или средней тяжести.

##### **УВЕДОМЛЕНИЕ**

Опасная ситуация, которая, если ее не устранить, может вызвать повреждение имущества.

### **Прочие уведомления**

#### **Важно**

Означает существенную информацию, которая важна для правильной работы изделия.

#### **Примечание**

Означает полезную информацию, которая помогает использовать все возможности изделия.

### **Правила безопасности**

#### **УВЕДОМЛЕНИЕ**

- Это изделие Axis следует использовать в соответствии с местными законами и нормативами.
- Устройство Axis должно храниться в сухом, хорошо проветриваемом помещении.
- При установке устройства Axis используйте только предназначенные для этого инструменты. Приложение чрезмерных усилий к инструментам может привести к повреждению устройства.
- Не используйте химикаты, едкие вещества или аэрозольные очистители.
- Для очистки используйте чистую ткань, смоченную чистой водой.
- Используйте только принадлежности, которые соответствуют техническим характеристикам данного устройства. Они могут поставляться компанией Axis или сторонним производителем. Компания Axis рекомендует использовать блоки питания Axis, совместимые с устройством.
- Используйте только запасные части, поставляемые или рекомендованные компанией Axis.
- Не пытайтесь отремонтировать устройство самостоятельно. По вопросам обслуживания обращайтесь в службу поддержки Axis или к своему реселлеру Axis.
- Данное оборудование не подходит для применения в местах возможного присутствия детей.
- Подходит для установки в помещениях для оборудования информационных технологий в соответствии со статьей 645 Национальных

правил эксплуатации электроустановок и NFPA 75.

- Шнур питания должен быть подключен к розетке с заземляющим контактом.
- Никогда не открывайте оборудование. По соображениям безопасности оборудование должно открываться только опытным, квалифицированным специалистом.

## Транспортировка

### УВЕДОМЛЕНИЕ

- При транспортировке устройства Axis используйте оригинальную упаковку или ее эквивалент во избежание повреждения изделия.

## Батарея

### ВНИМАНИЕ

Не заменяйте батарею самостоятельно. Если сообщение журнала содержит запрос на замену батареи, обратитесь в службу поддержки Axis.

Плоские литиевые батареи (3,0 В) содержат 1,2-диметоксиэтан (диметиловый эфир этиленгликоля, EGDME), CAS № 110-71-4.

- 请勿尝试自行维修产品。有关服务事项，请联系安讯士支持部门或安讯士经销商。
- 此设备不适合用于儿童可能出现的位置。
- 适合按照国家电气规范第 645 条和 NFPA 75 安装在劳技室内。
- 确保将电源线连接至具有接地连接的插座。
- 切勿打开设备。出于安全原因，应该仅由经验丰富的合格人员打开设备。

## 运输

### 注意

- 安讯士产品运输途中，应使用其原包装或等效包装，以防对产品造成损坏。

## 电池

### 小心

请勿自行更换电池。如果日志消息要求更换电池，请联系安讯士支持部门。

3.0 V 纽扣锂电池内含 1,2-二甲氧基乙烷；乙二醇二甲醚 (EGDME)，CAS 编号为 110-71-4。

# 中文

## 安全信息

### 危险等级

#### 危险

表示如果不避免则会导致死亡或严重伤害的危险情况。

#### 警告

表示如果不避免则可能导致死亡或严重伤害的危险情况。

#### 小心

表示如果不避免则可能导致轻微或中度伤害的危险情况。

#### 注意

表示如果不避免则可能导致财产损失的情况。

### 其他消息等级

#### 重要

表示产品正常工作所必需的重要信息。

#### 备注

表示有助于充分利用产品的有用信息。

## 安全说明

### 注意

- 使用 Axis 产品时应遵守当地法律和法规。
- 在干燥通风的环境中存放安讯士产品。
- 安装安讯士产品时，仅使用适用的工具。使用电动工具过度施力可能导致产品损坏。
- 请勿使用化学品、腐蚀性剂或气雾剂。
- 使用蘸纯净水的干净布进行清洁。
- 仅使用符合产品技术规格的附件。这些附件可由安讯士或第三方提供。安讯士推荐使用与产品兼容的安讯士电源设备。
- 仅使用安讯士提供或推荐的备件。

