

AXIS T8504-E Outdoor PoE Switch

Installation Guide

Read this first

Read through this Installation Guide carefully before installing the product. Keep the Installation Guide for future reference.

Legal considerations

Video and audio surveillance can be regulated by laws that vary from country to country. Check the laws in your local region before using this product for surveillance purposes.

Liability

Every care has been taken in the preparation of this document. Please inform your local Axis office of any inaccuracies or omissions. Axis Communications AB cannot be held responsible for any technical or typographical errors and reserves the right to make changes to the product and manuals without prior notice. Axis Communications AB makes no warranty of any kind with regard to the material contained within this document, including, but not limited to, the implied warranties of merchantability and fitness for a particular purpose. Axis Communications AB shall not be liable nor responsible for incidental or consequential damages in connection with the furnishing, performance or use of this material. This product is only to be used for its intended purpose.

Intellectual property rights

Axis AB has intellectual property rights relating to technology embodied in the product described in this document. In particular, and without limitation, these intellectual property rights may include one or more of the patents listed at axis.com/patent and one or more additional patents or pending patent applications in the US and other countries.

Equipment modifications

This equipment must be installed and used in strict accordance with the instructions given in the user documentation. This equipment contains no user-serviceable components. Unauthorized equipment changes or modifications will invalidate all applicable regulatory certifications and approvals.

Trademark acknowledgements

AXIS COMMUNICATIONS, AXIS and VAPIX are registered trademarks or trademark applications of Axis AB in various jurisdictions. All other company names and products are trademarks or registered trademarks of their respective companies.

Regulatory information

Europe



This product complies with the applicable CE marking directives and harmonized standards:

- Electromagnetic Compatibility (EMC) Directive 2014/30/EU. See *Electromagnetic compatibility (EMC) on page 2*.
- Low Voltage Directive (LVD) 2014/35/EU. See *Safety on page 2*.
- Restrictions of Hazardous Substances (RoHS) Directive 2011/65/EU. See *Disposal and recycling on page 2*.

A copy of the original declaration of conformity may be obtained from Axis Communications AB. See *Contact information on page 3*.

Electromagnetic compatibility (EMC)

This equipment has been designed and tested to fulfill applicable standards for:

- Radio frequency emission when installed according to the instructions and used in its intended environment.
- Immunity to electrical and electromagnetic phenomena when installed according to the instructions and used in its intended environment.

USA

This equipment has been tested and found to comply with the limits for a Class B digital device, pursuant to part 15 of the FCC Rules. These limits are designed to provide reasonable protection against harmful interference in a residential installation. This equipment generates, uses and can radiate radio frequency energy and, if not installed and used in accordance with the instructions, may cause harmful interference to radio communications. However, there is no guarantee that interference will not occur in a particular installation. If this equipment does cause harmful interference to radio or television reception, which can be determined by turning the equipment off and on, the user is encouraged to try to correct the interference by one or more of the following measures:

- Reorient or relocate the receiving antenna.
- Increase the separation between the equipment and receiver.
- Connect the equipment into an outlet on a circuit different from that to which the receiver is connected.
- Consult the dealer or an experienced radio/TV technician for help.

The product shall be properly grounded.

Canada

This digital apparatus complies with CAN ICES-3 (Class B). The product shall be properly grounded. Cet appareil numérique est conforme à la norme CAN NMB-3 (classe B). Le produit doit être correctement mis à la terre.

Europe

This digital equipment fulfills the requirements for RF emission according to the Class B limit of EN 55022. The product shall be properly grounded.

Japan

この装置は、クラスB情報技術装置です。この装置は、家庭環境で使用することを目的としていますが、この装置がラジオやテレビジョン受信機に近接して使用されると、受信障害を引き起こすことがあります。取扱説明書に従って正しい取り扱いをして下さい。本製品は、適切に接地してください。

Safety

This product complies with IEC/EN/UL 62368-1, safety of audio/video and IT equipment, and IEC/EN/UL 60950-22, Safety of Information Technology Equipment. The product shall be grounded either through a shielded network cable (STP) or other appropriate method.

Disposal and recycling

When this product has reached the end of its useful life, dispose of it according to local laws and regulations. For information about your nearest designated collection point, contact your local authority responsible for waste disposal. In accordance with local legislation, penalties may be applicable for incorrect disposal of this waste.

Europe




This symbol means that the product shall not be disposed of together with household or commercial waste. Directive 2012/19/EU on waste electrical and electronic equipment (WEEE) is applicable in the European Union member states. To prevent potential harm to human health

and the environment, the product must be disposed of in an approved and environmentally safe recycling process. For information about your nearest designated collection point, contact your local authority responsible for waste disposal. Businesses should contact the product supplier for information about how to dispose of this product correctly.

This product complies with the requirements of Directive 2011/65/EU on the restriction of the use of certain hazardous substances in electrical and electronic equipment (RoHS).

China

 This product complies with the requirements of SJ/T 11364-2014, Marking for the restriction of hazardous substances in electrical and electronic products.

有毒有害物质或元素						
部件名称	铅 (Pb)	汞 (Hg)	镉 (Cd)	六价铬 (Cr-(VI))	多溴苯 (PB-B)	多溴二苯醚 (PB-DE)
电气实装部分	X	0	0	0	0	0

0: 表示该有毒有害物质在该部件所有均质材料中的含量均在GB/T 26572标准规定的限量要求以下。
X: 表示该有毒有害物质至少在该部件的某一均质材料中的含量超出GB/T 26572标准规定的限量要求。

Contact information

Axis Communications AB
Emdalavägen 14
223 69 Lund
Sweden

Tel: +46 46 272 18 00

Fax: +46 46 13 61 30

axis.com

Warranty information

For information about Axis' product warranty and thereto related information, go to axis.com/warranty

Support

Should you require any technical assistance, please contact your Axis reseller. If your questions cannot be answered immediately, your reseller will forward your queries through the appropriate channels to ensure a rapid response. If you are connected to the Internet, you can:

- download user documentation and software updates
- find answers to resolved problems in the FAQ database, search by product, category, or phrase
- report problems to Axis support staff by logging in to your private support area
- chat with Axis support staff
- visit Axis Support at axis.com/support

Learn more!

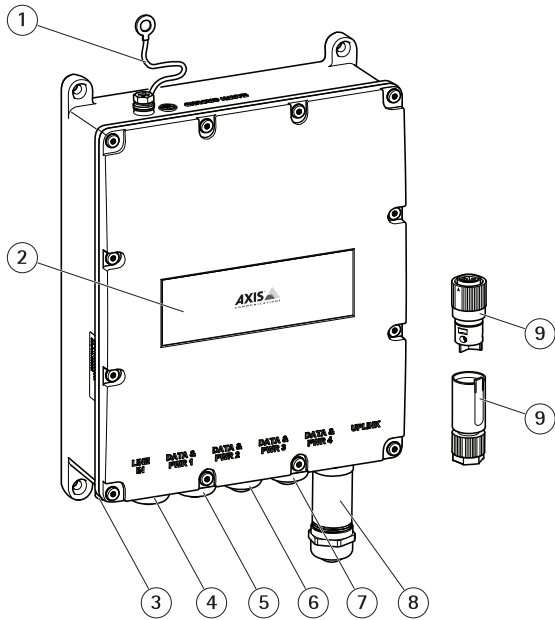
Visit Axis learning center axis.com/academy for useful trainings, webinars, tutorials and guides.

Package contents

- AXIS T8504-E Outdoor PoE Switch
- Power connector
- Printed materials
 - Installation Guide (this document)

AXIS T8504-E Outdoor PoE Switch

Product overview



- 1 Grounding cable
- 2 Product label
- 3 Power connector port
- 4 RJ45 PoE port
- 5 RJ45 PoE port
- 6 RJ45 PoE port
- 7 RJ45 PoE port
- 8 SFP slot
- 9 Power connector

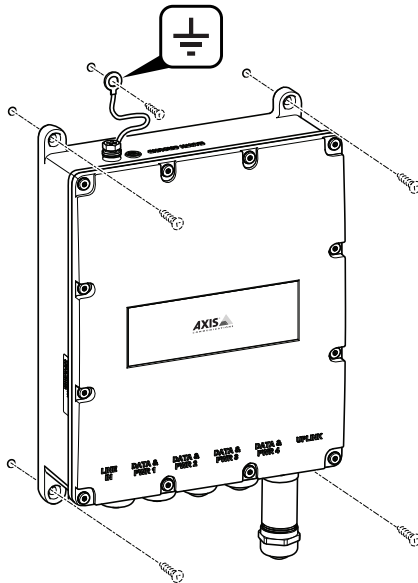
How to install the product

How to mount the product to the wall

Note

To mount the product on a pole you need a pole mount. For accessories, see www.axis.com

1. Place the product against a flat surface.



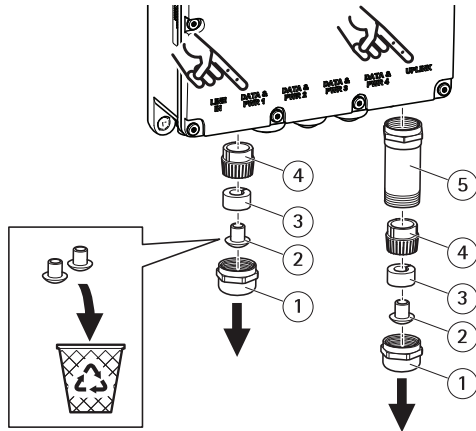
2. Fasten the product using four screws.
3. Fasten the grounding cable.

How to connect an Ethernet cable or a SFP module

Note

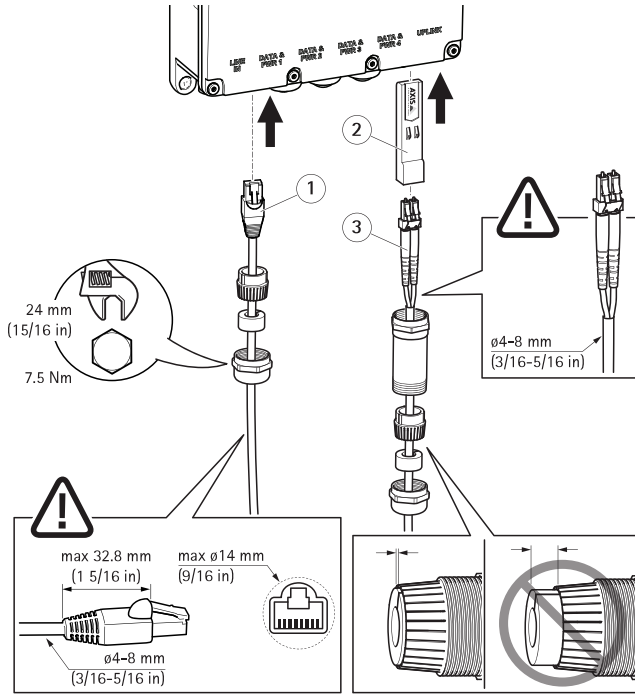
The easiest way to connect the cables is to start from the left with connecting the first Ethernet cable into Data Et PWR 1 and to connect the SFP module in the Uplink port as last.

AXIS T8504-E Outdoor PoE Switch



- 1 *Metal gland*
- 2 *Dust cap*
- 3 *Rubber seal*
- 4 *Pressure fingers*
- 5 *Metal protection*

1. Remove the metal gland by turning it counterclockwise. To connect a SFP module also remove the metal protection.
2. Detach the rubber seal from the pressure fingers.
3. Throw the dust cap or keep it for future use.



- 1 Ethernet cable
- 2 SFP module
- 3 Optical fibre cables

How to connect an ethernet cable:

1. Insert the metal gland, rubber seal and pressure fingers to the Ethernet cable, in this order.
2. Insert the rubber seal into the pressure fingers.
3. Connect the cable into the socket.
4. Attach the metal gland to the product with a torque.

How to connect a SFP module:

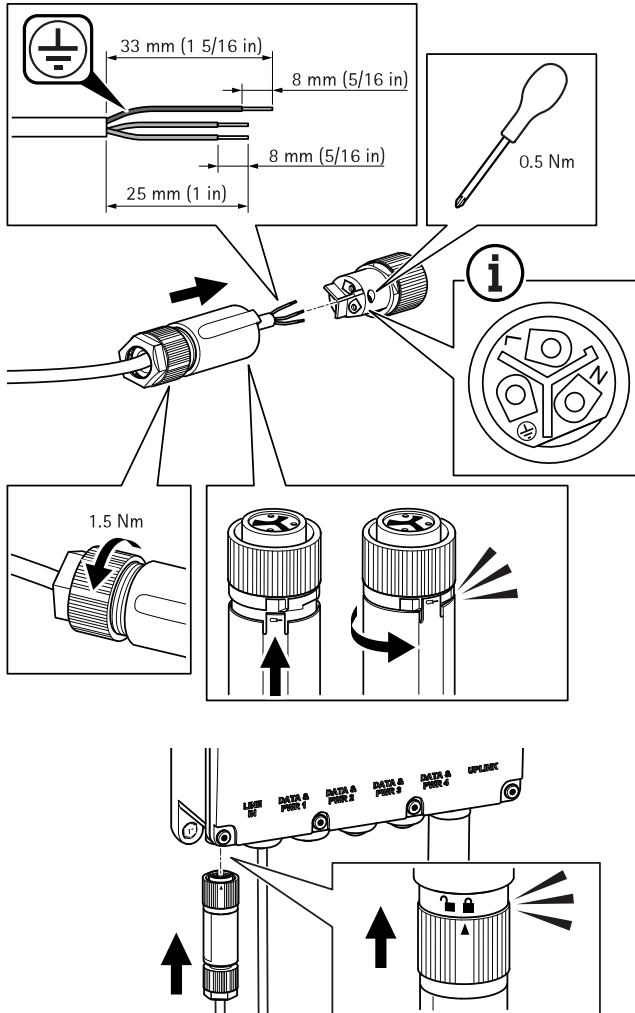
1. Insert the SFP module into the product.
2. Insert the metal gland, rubber seal, pressure fingers and metal protector to the optical fiber cable, in this order.
3. Connect the cable into the socket.
4. Attach the metal protector to the product with a torque.
5. Insert the rubber seal into the pressure fingers.

AXIS T8504-E Outdoor PoE Switch

6. Attach the metal gland to the metal protector with a torque.

Connect the power supply

See below images for how to connect the power connector.



⚠WARNING

- When you are connecting the AC power make sure that N, L and ground are connected to the proper polarity.
- Make sure that the AC power is within the allowed range (100–240 V AC).

How to access the product

AXIS IP Utility and AXIS Camera Management are recommended methods for finding Axis products on the network. Both applications are free and can be downloaded from www.axis.com/support

The default IP address is 192.168.0.254

Default username and password:

Username: root

Password: pass

Important

To protect your product from intrusion always change username and password before you start using the product.

To get the most out of your product and to protect your product from intrusion it is important to log in to the product to:

- Change Username and Password
- Assign a new IP address
- Enable HTTPS
- Check that you have the latest firmware

For more information about using the product, see the User Manual available at www.axis.com

AXIS T8504-E Outdoor PoE Switch

Further information

- For the latest version of this document, see axis.com
- For useful online trainings and webinars, see axis.com/academy

Optional accessories

For a complete list of available accessories for this product, go to the product's page on axis.com and select Software & Accessories.

Specifications

To find the latest version of the product's datasheet, go to the product page on axis.com and locate **Support & Documentation**.

Connectors

Network connector

RJ45 Ethernet connector with Power over Ethernet (PoE).

SFP connector.

Power consumption

Electrical specification

Input voltage	100–240 V AC (50/60Hz)
Input Current (100–240 V AC)	2.5 Ampere (max)
Available output power (max.)	150 W
Nominal output voltage	54 V DC

Interface

Uplink	SFP Cage
Output (DATA PWR OUT): Ethernet 10/100/1000Base-T, plus 54 V DC (RJ45 female socket, with DC voltage)	Up to 150 W from the following available options: 60 W ports (Ports 1 & 2): Pairs 1–2 & 3–6, 7–8 & 4–5 30 W ports (Ports 3 & 4): Pairs 1–2 & 3–6
AC Power IN	3 Pins AC power in – Line, Neutral and Earth Ground

AXIS T8504-E Outdoor PoE Switch

Operating conditions

Product	Temperature	Humidity
Axis T8504-E	-40 °C to 50 °C (-40 °F to 122 °F)* for 150 Watts -40 °C to 60 °C (-40 °F to 140 °F)* for 90 Watts	Maximum 90%, non-condensing

Safety information

Hazard levels

▲DANGER

Indicates a hazardous situation which, if not avoided, will result in death or serious injury.

▲WARNING

Indicates a hazardous situation which, if not avoided, could result in death or serious injury.

▲CAUTION

Indicates a hazardous situation which, if not avoided, could result in minor or moderate injury.

NOTICE

Indicates a situation which, if not avoided, could result in damage to property.

Other message levels

Important

Indicates significant information which is essential for the product to function correctly.

Note

Indicates useful information which helps in getting the most out of the product.

AXIS T8504-E Outdoor PoE Switch

Safety instructions

NOTICE

- The Axis product shall be used in compliance with local laws and regulations.
- Use only applicable tools when installing the Axis product. Using excessive force with power tools could cause damage to the product.
- Do not use chemicals, caustic agents, or aerosol cleaners.
- Use a clean cloth dampened with pure water for cleaning.
- Use only accessories that comply with the technical specification of your product. These can be provided by Axis or a third party. Axis recommends using Axis power source equipment compatible with your product.
- Use only spare parts provided by or recommended by Axis.
- Do not attempt to repair the product yourself. Contact Axis support or your Axis reseller for service matters.

Transportation

NOTICE

- When transporting the Axis product, use the original packaging or equivalent to prevent damage to the product.

