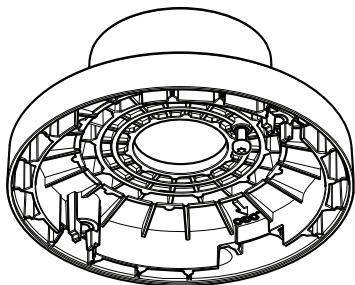


AXIS T94B02D Pendant Kit

Installation Guide

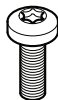
AXIS T94B02D Pendant Kit



1x

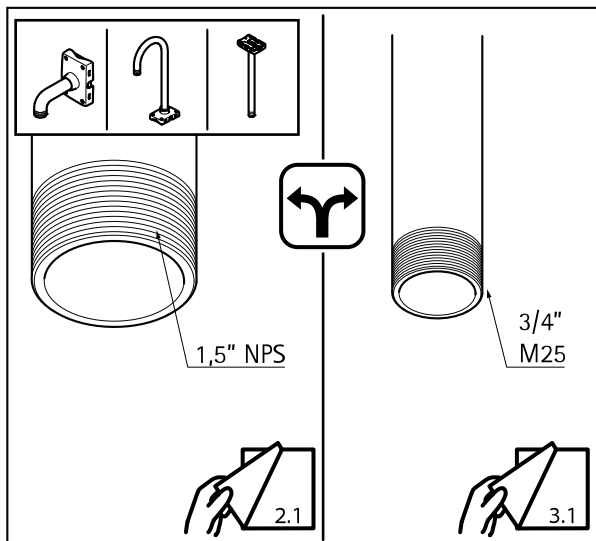


1x

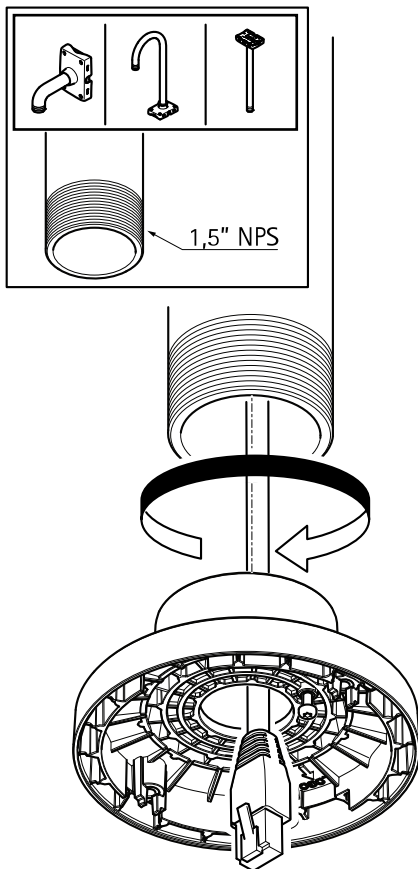


2x

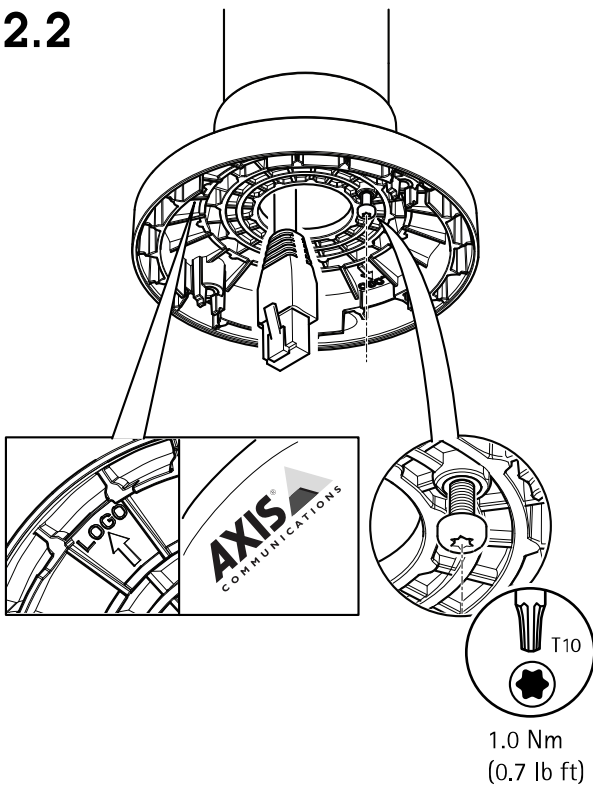
1.1



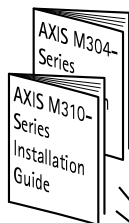
2.1



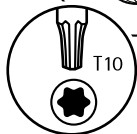
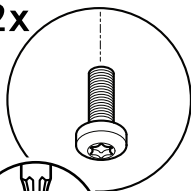
2.2



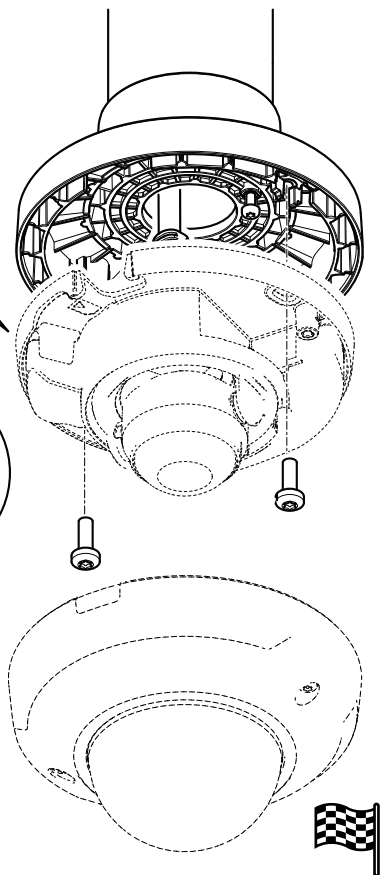
2.3



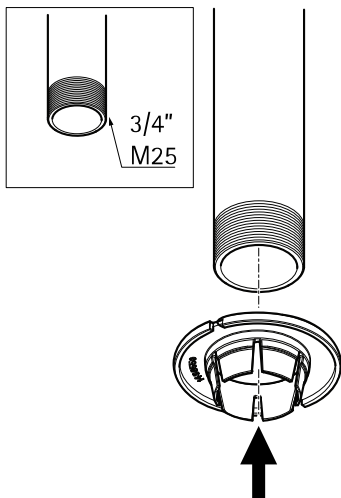
2x



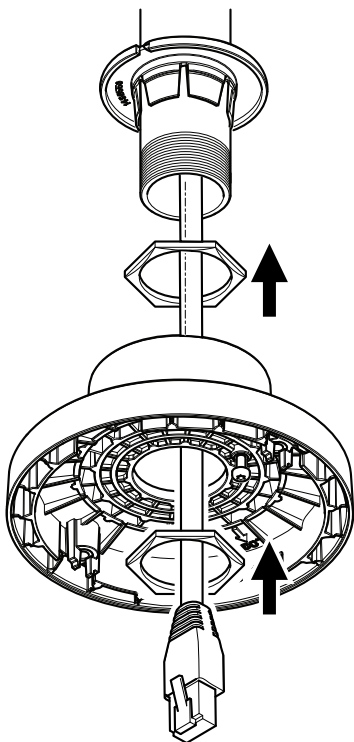
1.0 Nm
(0.7 lb ft)



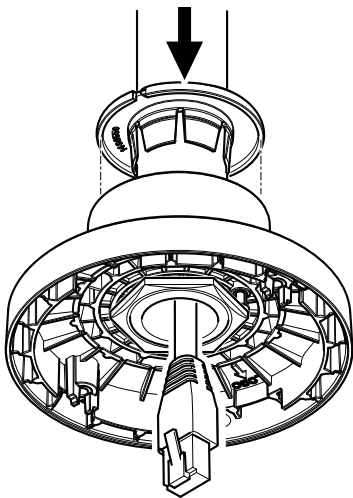
3.1



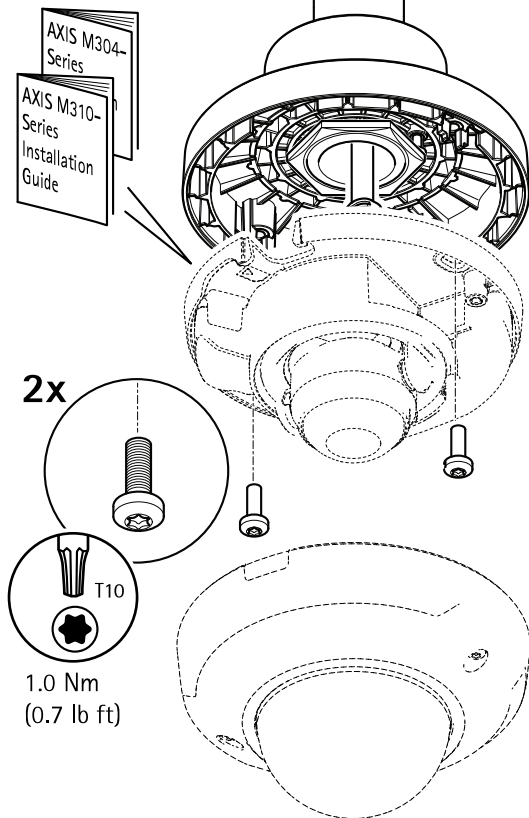
3.2



3.3



3.4



Installation Guide

AXIS T94B02D Pendant Kit

© Axis Communications AB, 2016

Ver. M2.3

Date: December 2016

Part No. 1701030