

AXIS T8705 Video Decoder

User Manual

AXIS T8705 Video Decoder

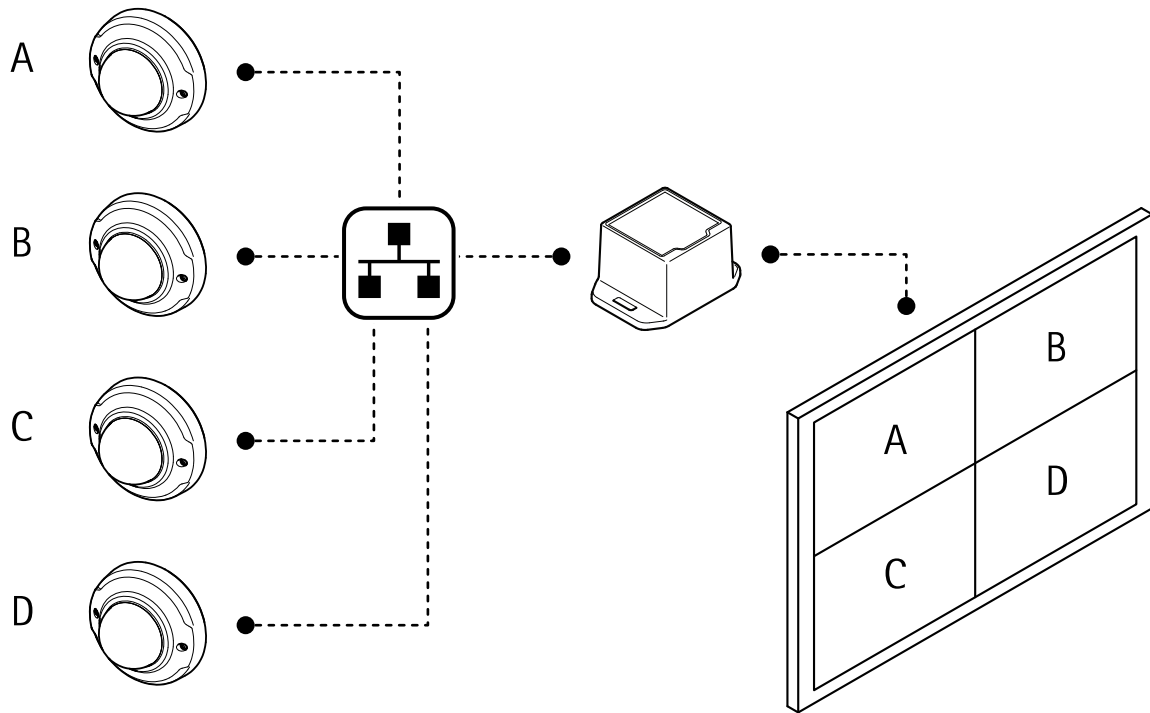
Table of Contents

Solution overview	3
Product overview	4
How to access the product	5
How to access the product from a browser	5
About secure passwords	5
Setup	6
About the product's built-in help	6
How to configure a monitor	6
How to add Axis cameras	6
How to add a single camera	6
How to add usernames and passwords for cameras	7
Advanced camera settings	7
How to remove a camera	7
Troubleshooting	8
How to reset to factory default settings	8
How to check the current firmware	8
How to upgrade the firmware	8
Technical issues, clues and solutions	9
Specifications	10
LED	10
Buttons	10
Connectors	10

AXIS T8705 Video Decoder

Solution overview

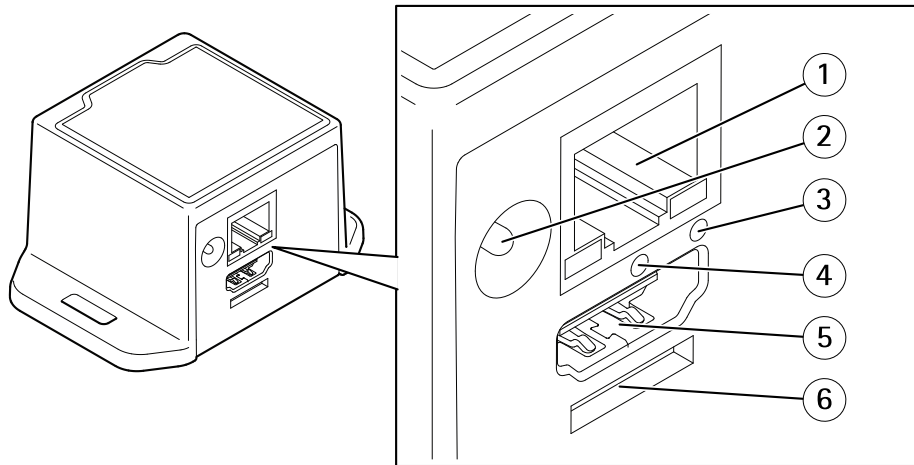
Solution overview



AXIS T8705 Video Decoder

Product overview

Product overview



- 1 Network connector
- 2 Power connector
- 3 Network LED
- 4 Restart button
- 5 HDMI connector
- 6 Reserved for operating system

AXIS T8705 Video Decoder

How to access the product

How to access the product

AXIS IP Utility and AXIS Camera Management are recommended methods for finding Axis products on the network and assigning them IP addresses in Windows®. Both applications are free and can be downloaded from axis.com/support

The product can be used with the following browsers:

- Chrome™ (recommended), Firefox®, Edge®, or Opera® with Windows®
- Chrome™ (recommended) or Safari® with OS X®
- Chrome™ or Firefox® with other operating systems.

How to access the product from a browser

1. Start a web browser.
2. Enter the IP address or host name of the Axis product in the browser's address field.

To access the product from a Mac computer (OS X), go to Safari, click on Bonjour and select the product from the drop-down list. To add Bonjour as a browser bookmark, go to Safari > Preferences.

3. Enter your username and password. If this is the first time the product is accessed, the root password must first be configured.

About secure passwords

Important

Axis devices send the initially set password in clear text over the network. To protect your device after the first login, set up a secure and encrypted HTTPS connection and then change the password.

The device password is the primary protection for the data and services. Axis devices do not impose a password policy as they may be used in various types of installations. To protect your data we recommend that you:

- Change the default password that comes with the devices.
- Use a password with at least 8 characters, preferably created by a password generator.
- Don't expose the password.
- Change password at a recurring interval, at least once a year.

Set a secure password for the root account

Important

The administrator user name `root` cannot be deleted. If the password for root is lost, the device must be reset to the factory default settings.

1. Make sure to follow the instructions about secure passwords. See *About secure passwords on page 5*.
2. The first time you log on to the device, use the default username `root` and password `pass`.
3. Type a new password and then retype it to confirm the spelling.
4. Click **Next**. The password has now been configured.

AXIS T8705 Video Decoder



Setup

Setup

About the product's built-in help

You can access the built-in help through your product's web page. The help provides more detailed information on the product's features and their settings.

There are two help features in the user interface:

- To get general information about the controls on each page, click  in the bottom right corner of the browser window.
- To get detailed information about an individual setting, click  next to the setting.

How to configure a monitor

1. Go to **Display**.
2. Select one of these options under **Multi mode**:
 - To show the video sources one at a time in sequence, select **Sequencer**, and set the interval that each source is displayed.
 - To show multiple video sources at the same time, select **Multiview**, and select a layout.
3. Under **Video output**, select a resolution and refresh rate that works with your display. See the documentation for your display.

How to add Axis cameras

Note

The camera wizard only works with Axis cameras. Add cameras from other brands one at a time. See *How to add a single camera on page 6*.

1. Go to **Video sources**.
2. Click **Camera wizard**.

The wizard searches the network for Axis cameras.
3. When you open the camera wizard, the **Add credentials** window opens automatically. If you don't want to add any credentials, close the window.
4. Select the cameras to add and click **Connect**.

The decoder will try to access the camera with all saved credentials. See *How to add usernames and passwords for cameras on page 7*.
5. To access more settings for the cameras, see *Advanced camera settings on page 7*.

How to add a single camera

1. Go to **Video sources**.
2. Click **Add camera**.
 - For an Axis camera: Enter a name and IP address for the camera.

AXIS T8705 Video Decoder

Setup

- For other brands: Enter a name, a URL that can be used to access the video stream, and the codec used for the stream.
3. Enter a username and a password for the camera.
4. Click **Save Camera**.
5. To access more settings for the cameras, see *Advanced camera settings on page 7*.


How to add usernames and passwords for cameras

The decoder needs usernames and passwords to the cameras in order to access the video streams.


The decoder can have multiple credentials saved. It will try to access all cameras using all of the stored credentials.

1. Go to **Video sources**.
2. Click **Camera wizard**.
3. When you open the camera wizard, the **Add credentials** window opens automatically. To manually open the window, click **Add** under **Credentials**.
4. Enter a name for the account, a username, and a password.
5. Click **Add**.

Advanced camera settings

1. Go to **Video sources**.
2. To change settings for a video source, click .

How to remove a camera

1. Go to **Video sources**.
2. To remove a video source, click .

AXIS T8705 Video Decoder

Troubleshooting

Troubleshooting

How to reset to factory default settings

Important

Reset to factory default should be used with caution. A reset to factory default resets all settings, including the IP address, to the factory default values.

1. Go to **Maintenance**.
2. Select **Default system configuration**.
3. Select **Confirm**.
4. Click **Set**.

It is also possible to reset parameters to factory default with the restart button. With the device turned on, press and hold the restart button for 10 seconds.

How to check the current firmware

Firmware is the software that determines the functionality of network devices. One of your first actions when troubleshooting a problem should be to check the current firmware version. The latest version may contain a correction that fixes your particular problem.

To check the current firmware:

1. Go to the product's webpage.
2. Select **Status**.
3. The firmware version is shown under **Version**.

How to upgrade the firmware

Important

Preconfigured and customized settings are saved when the firmware is upgraded (provided that the features are available in the new firmware) although this is not guaranteed by Axis Communications AB.

Important

Make sure the product remains connected to the power source throughout the upgrade process.

Note

When you upgrade the product with the latest firmware, the product receives the latest functionality available. Always read the upgrade instructions and release notes available with each new release before upgrading the firmware. To find the latest firmware and the release notes, go to axis.com/support/firmware

1. Download the latest firmware file to your computer, available free of charge at axis.com/support/firmware
2. Log in to the product.
3. Go to **Maintenance**.
4. Select **Firmware update**, and follow the instructions. When the upgrade has finished, the product restarts automatically.

AXIS T8705 Video Decoder

Troubleshooting

Technical issues, clues and solutions

If you can't find what you're looking for here, try the troubleshooting section at axis.com/support

Problems upgrading the firmware

Firmware upgrade failure	If the firmware upgrade fails, the product reloads the previous firmware. The most common reason is that the wrong firmware file has been uploaded. Check that the name of the firmware file corresponds to your product and try again.
--------------------------	---

Problems setting the IP address

The product is located on a different subnet	If the IP address intended for the product and the IP address of the computer used to access the product are located on different subnets, you cannot set the IP address. Contact your network administrator to obtain an IP address.
The IP address is being used by another device	Disconnect the Axis product from the network. Run the ping command (in a Command/DOS window, type <code>ping</code> and the IP address of the product): <ul style="list-style-type: none">• If you receive: <code>Reply from <IP address>: bytes=32; time=10...</code> this means that the IP address may already be in use by another device on the network. Obtain a new IP address from the network administrator and reinstall the product.• If you receive: <code>Request timed out</code>, this means that the IP address is available for use with the Axis product. Check all cabling and reinstall the product.
Possible IP address conflict with another device on the same subnet	The static IP address in the Axis product is used before the DHCP server sets a dynamic address. This means that if the same default static IP address is also used by another device, there may be problems accessing the product.

The product cannot be accessed from a browser

Cannot log in	When HTTPS is enabled, ensure that the correct protocol (HTTP or HTTPS) is used when attempting to log in. You may need to manually type <code>http</code> or <code>https</code> in the browser's address field. If the password for the user <code>root</code> is lost, the product must be reset to the factory default settings. See .
The IP address has been changed by DHCP	IP addresses obtained from a DHCP server are dynamic and may change. If the IP address has been changed, use AXIS IP Utility or AXIS Camera Management to locate the product on the network. Identify the product using its model or serial number, or by the DNS name (if the name has been configured). If required, a static IP address can be assigned manually. For instructions, go to axis.com/support

The product is accessible locally but not externally

Router configuration	Check that your router allows incoming data traffic to the Axis product. The router must support UPnP®.
Firewall protection	Check the Internet firewall with your network administrator.

AXIS T8705 Video Decoder

Specifications

Specifications

To find the latest version of the product's datasheet, go to the product page on *axis.com* and locate **Support & Documentation**.

LED

Network LED	Indication
Red	Flashes for network activity.
Unlit	No network connection.

Buttons

Restart button

Press the restart button to restart the product.

Press and hold the restart button for 10 seconds to reset all parameters to factory default.

Connectors

HDMI connector

Use the HDMI™ connector to connect a display or public view monitor.

Network connector

RJ45 Ethernet connector.

Power connector

DC connector. Use the supplied adapter.

